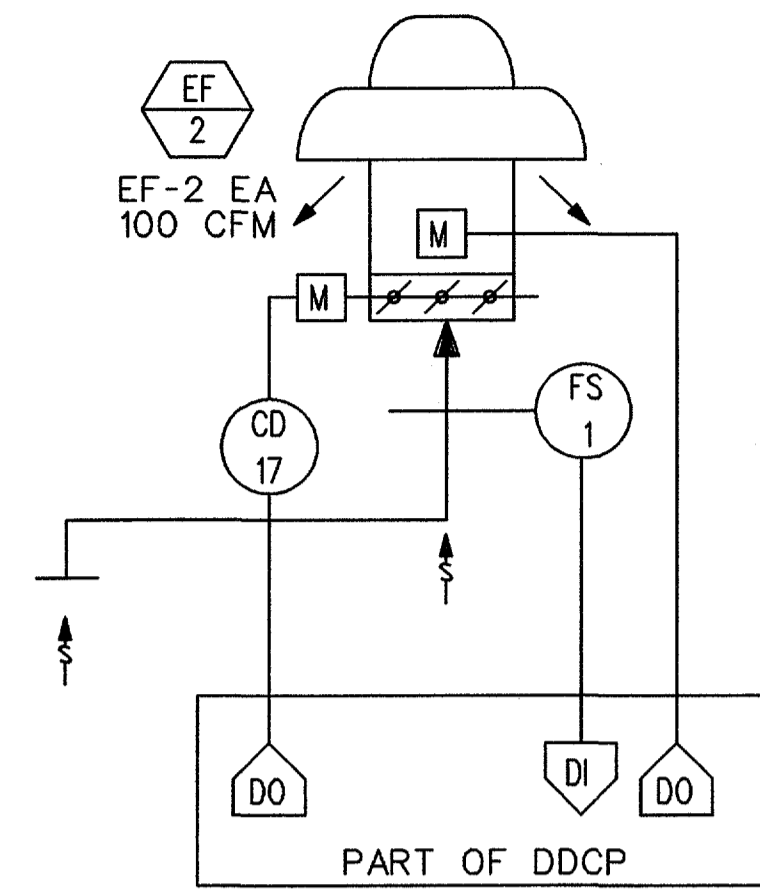
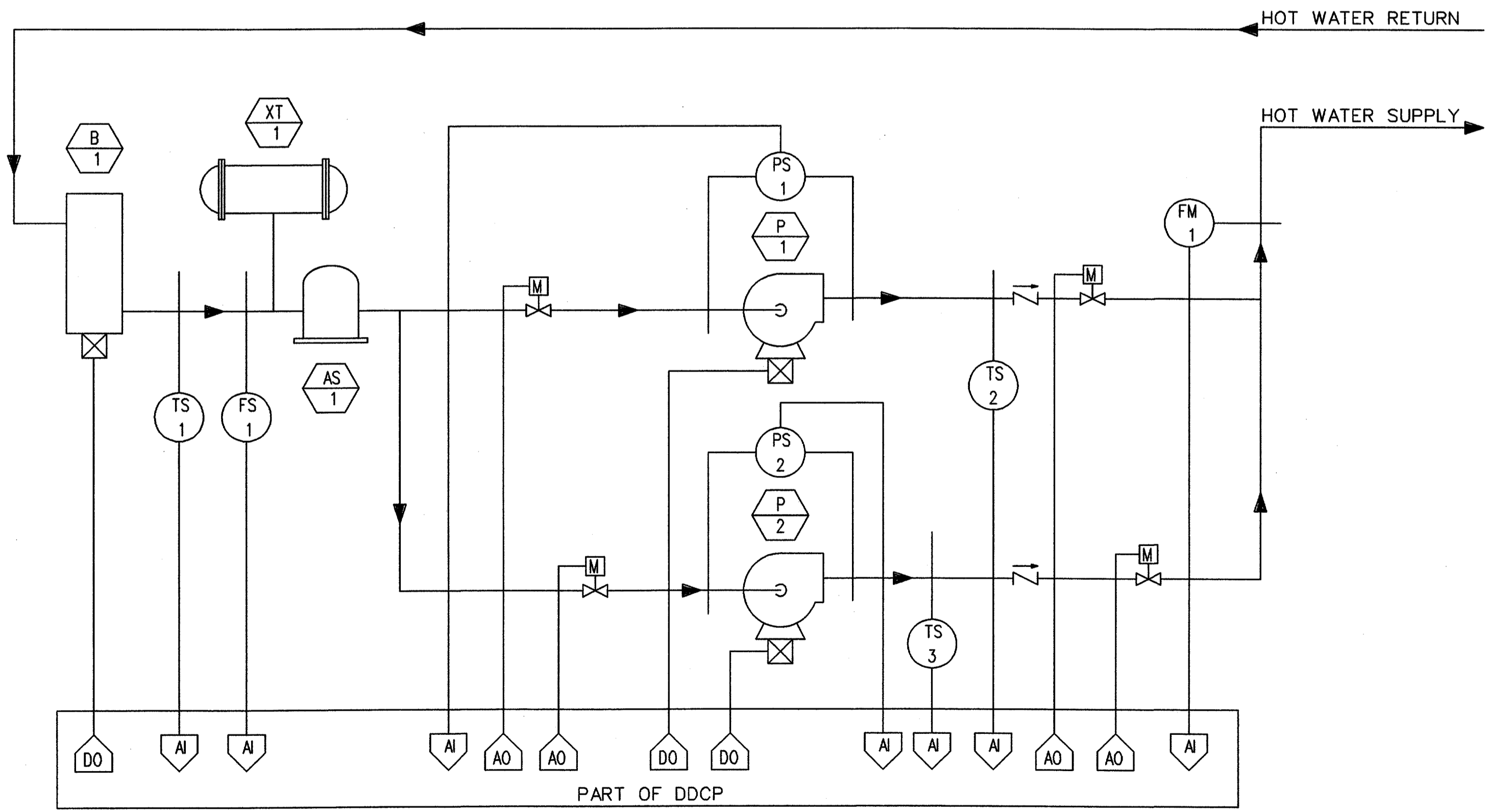


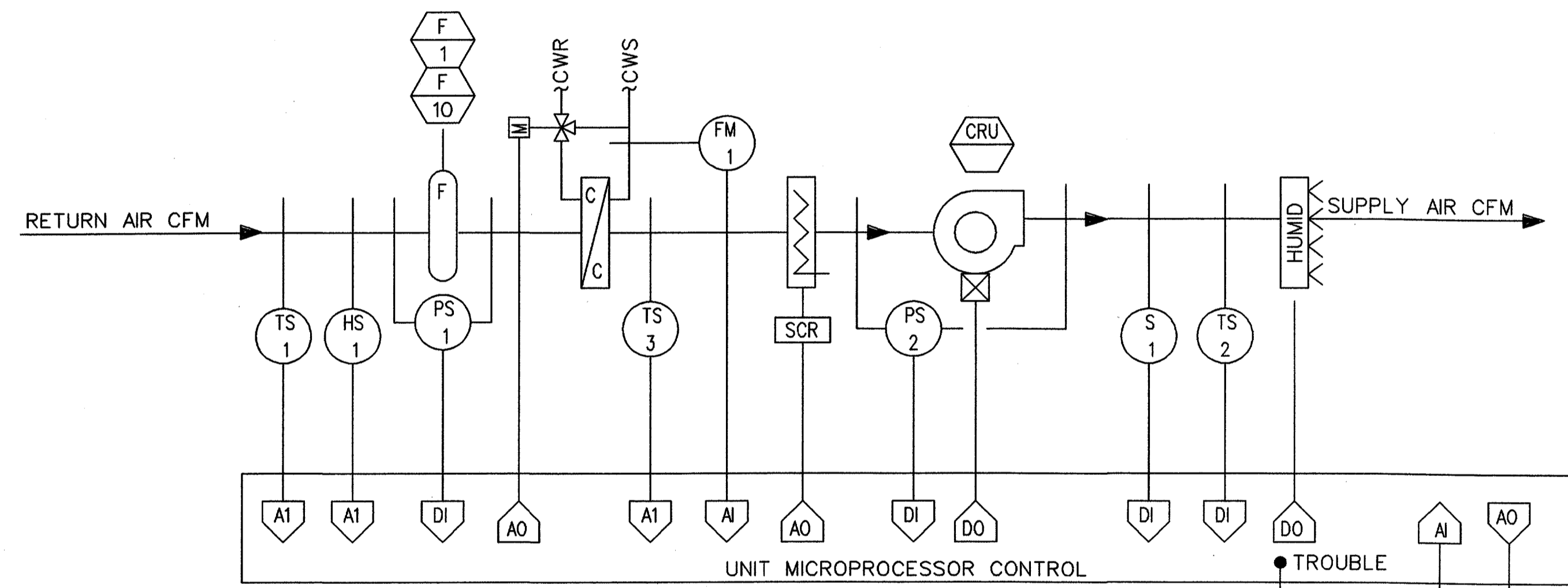
EG EXHAUST CONTROL AND AIR FLOW DIAGRAM
EXHAUST FAN EF-4



EXHAUST CONTROL AND AIR FLOW DIAGRAM
EXHAUST FAN EF-2 (EG)



TEMPERATURE CONTROL AND WATER FLOW DIAGRAM
BOILER B-1 AND PUMPS P-1, P-2 (BASE BUILDING)



TEMPERATURE CONTROL AND AIR FLOW DIAGRAM
COMPUTER ROOM UNIT CRU-1, 2, 3, 4

- NOTES:**
1. FOR GENERAL NOTES, SEE DRAWING M001-A.
 2. FOR SEQUENCE OF OPERATION, SEE SPECIFICATION SECTION 15975.
 3. PROVIDE CONNECTION TO THE FIRE ALARM CONTROL PANEL.

REV	DATE	DESCRIPTION	JCN	REDLINE DATE	APVD
A	06-23-03	FAA REDESIGN OF HVAC, JON 21874.	9700164	06-23-03	

**DEPARTMENT OF TRANSPORTATION
FEDERAL AVIATION ADMINISTRATION
FORT WORTH IMPLEMENTATION CENTER FORT WORTH, TX**

**LOW ACTIVITY LEVEL ATCT
HVAC
CONTROL DIAGRAMS
BASE - EG BUILDING**

ADDISON	ADDISON AIRPORT	TX
REVIEWED BY	SUBMITTED BY	APPROVED BY
	<i>Ruben Medrano</i>	<i>John L. White</i> 7/18/03
DESIGNED	ISSUED BY	PLATFORM MANAGER, ANI-630
R. MEDRANO	DATE	06-23-03
DRAWN	NAS IMPLEMENTATION	JCN
KS	ANI-600	9700164
CHECKED	DRAWING NO	REV
	ADS-D-ATCT-M005	A