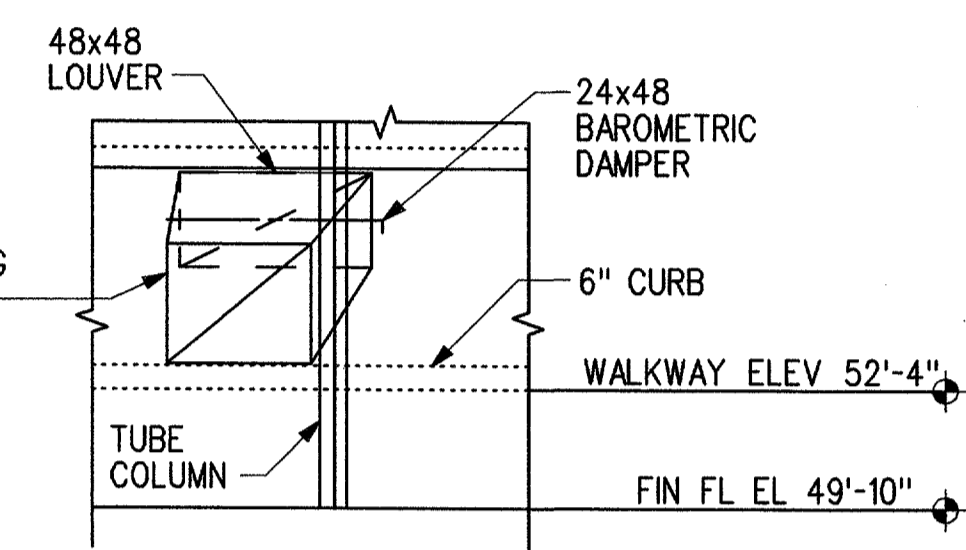
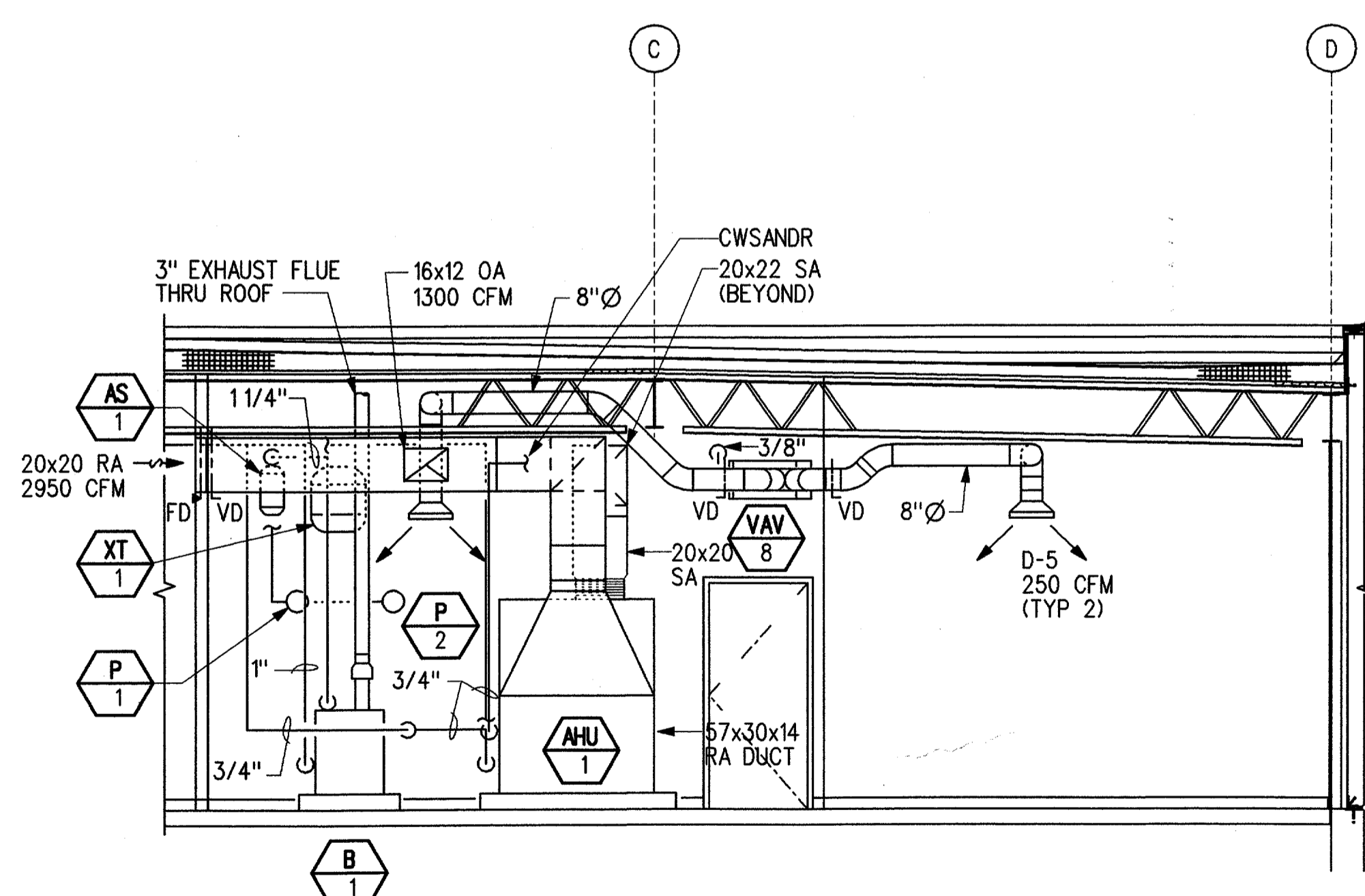


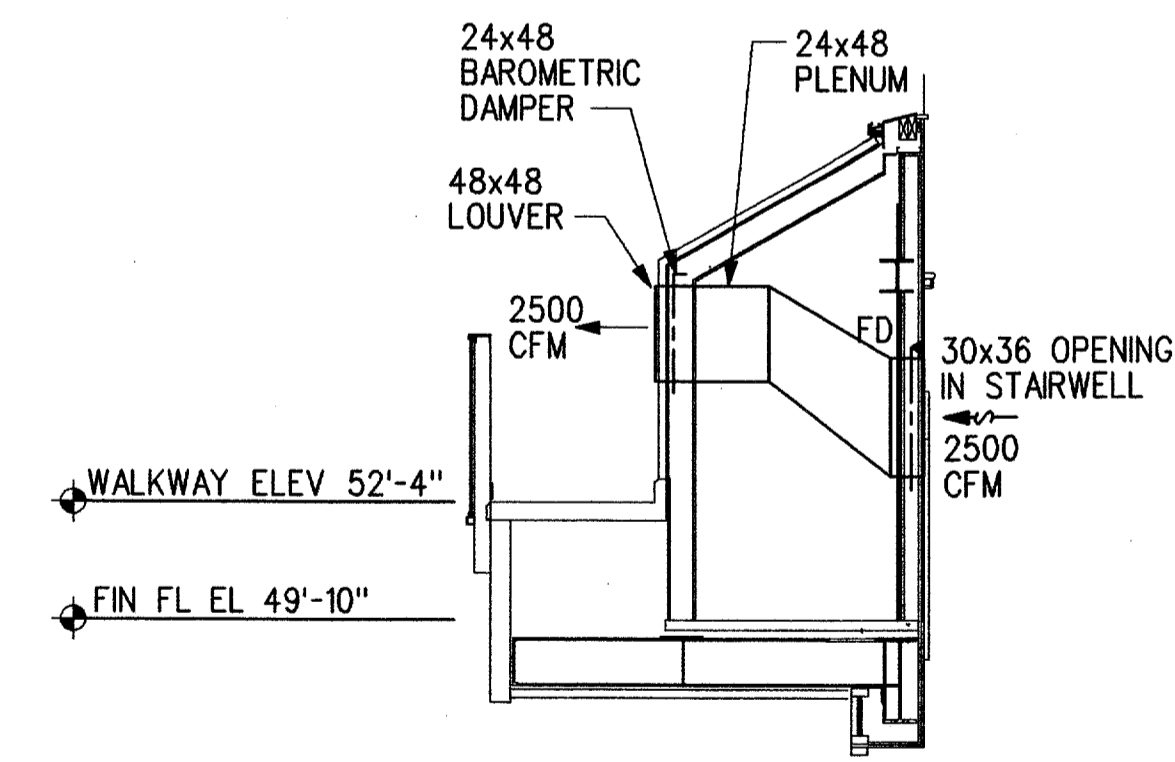
REF M006 SECTION A M011 SCALE: 1/4" = 1'-0"



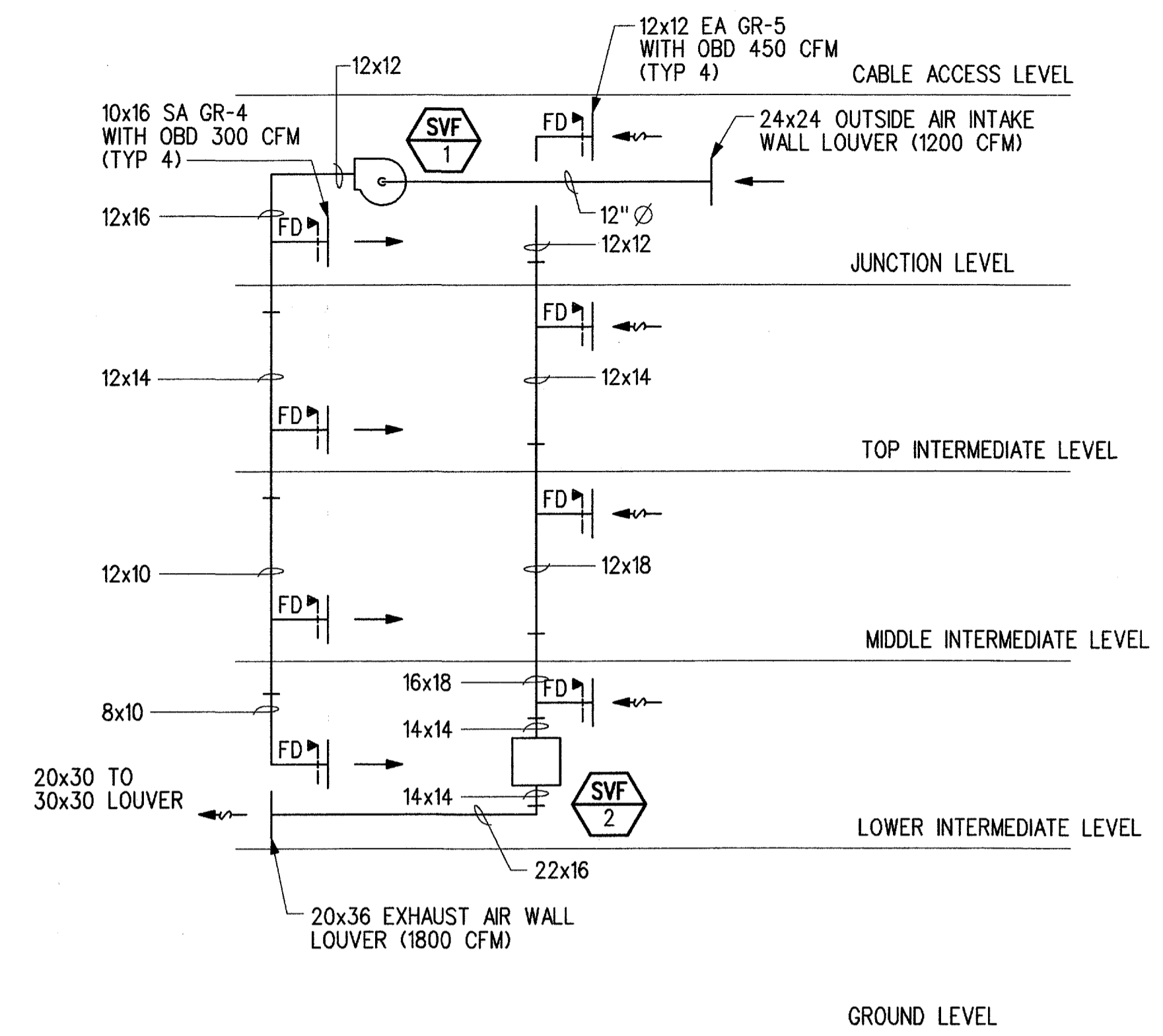
REF M007 SECTION B M011 SCALE: 1/4" = 1'-0"



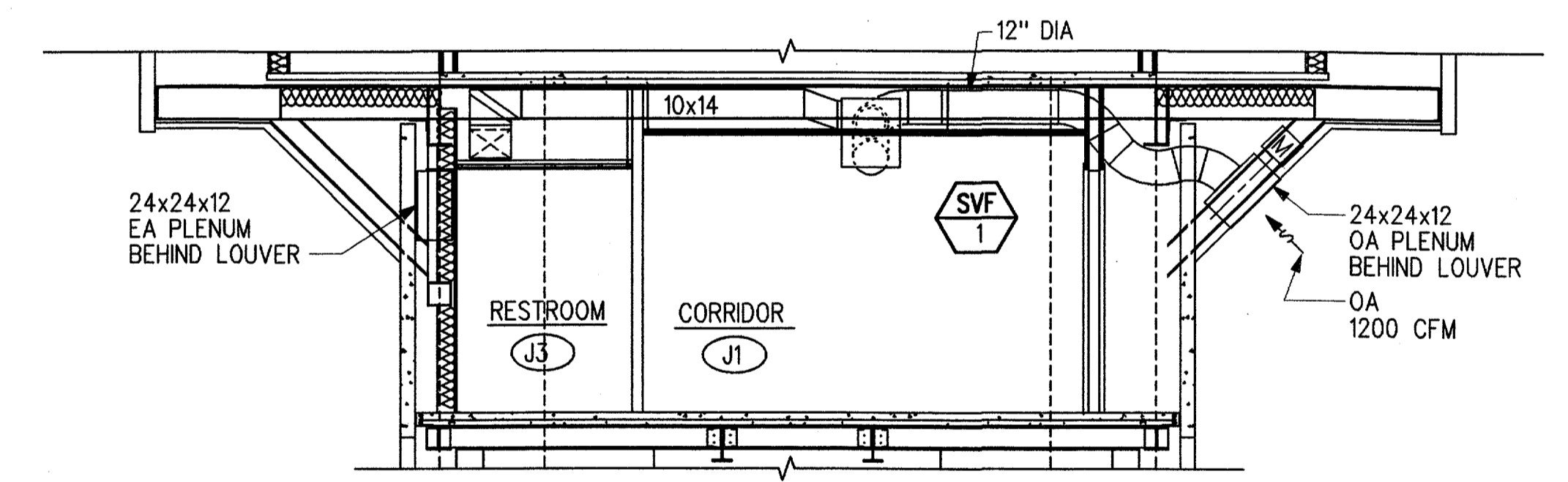
REF M010 SECTION D M011 SCALE: 1/4" = 1'-0"



REF M007 SECTION E M011 SCALE: 1/4" = 1'-0"



VESTIBULE RISER DIAGRAM NOT TO SCALE



REF M006 SECTION F M011 SCALE: 1/4" = 1'-0"

NOTE:
1. FOR GENERAL NOTES, SEE DRAWING M001.

DEPARTMENT OF TRANSPORTATION FEDERAL AVIATION ADMINISTRATION FORT WORTH IMPLEMENTATION CENTER FORT WORTH, TX LOW ACTIVITY LEVEL ATCT HVAC SECTIONS					
ADDISON	ADDISON AIRPORT				TX
REVIEWED BY	SUBMITTED BY	APPROVED BY	PROJECT ENGINEER, ANI-630	PLATFORM MANAGER, ANI-630	
	Mike Owen 7/21/03	Johnnie L. White 7/21/03	M. DOERR	DATE 06-23-03	9700164
DRAWN	ISSUED BY	DATE	DESIGNED	ISSUED BY	DATE
LTM	NAS IMPLEMENTATION ANI-600	06-23-03			9700164
CHECKED					
				ADS-D-ATCT-M011	A