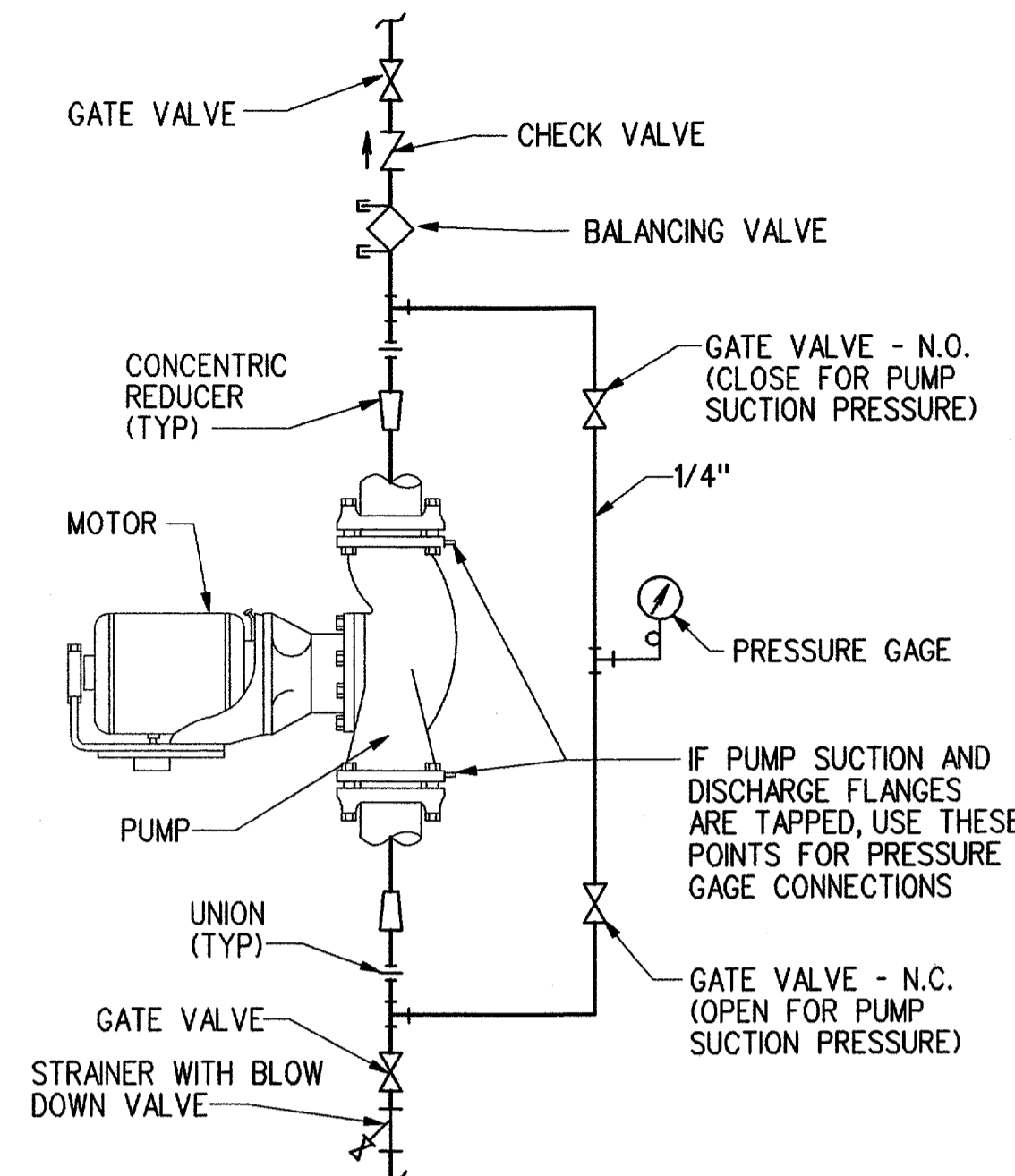
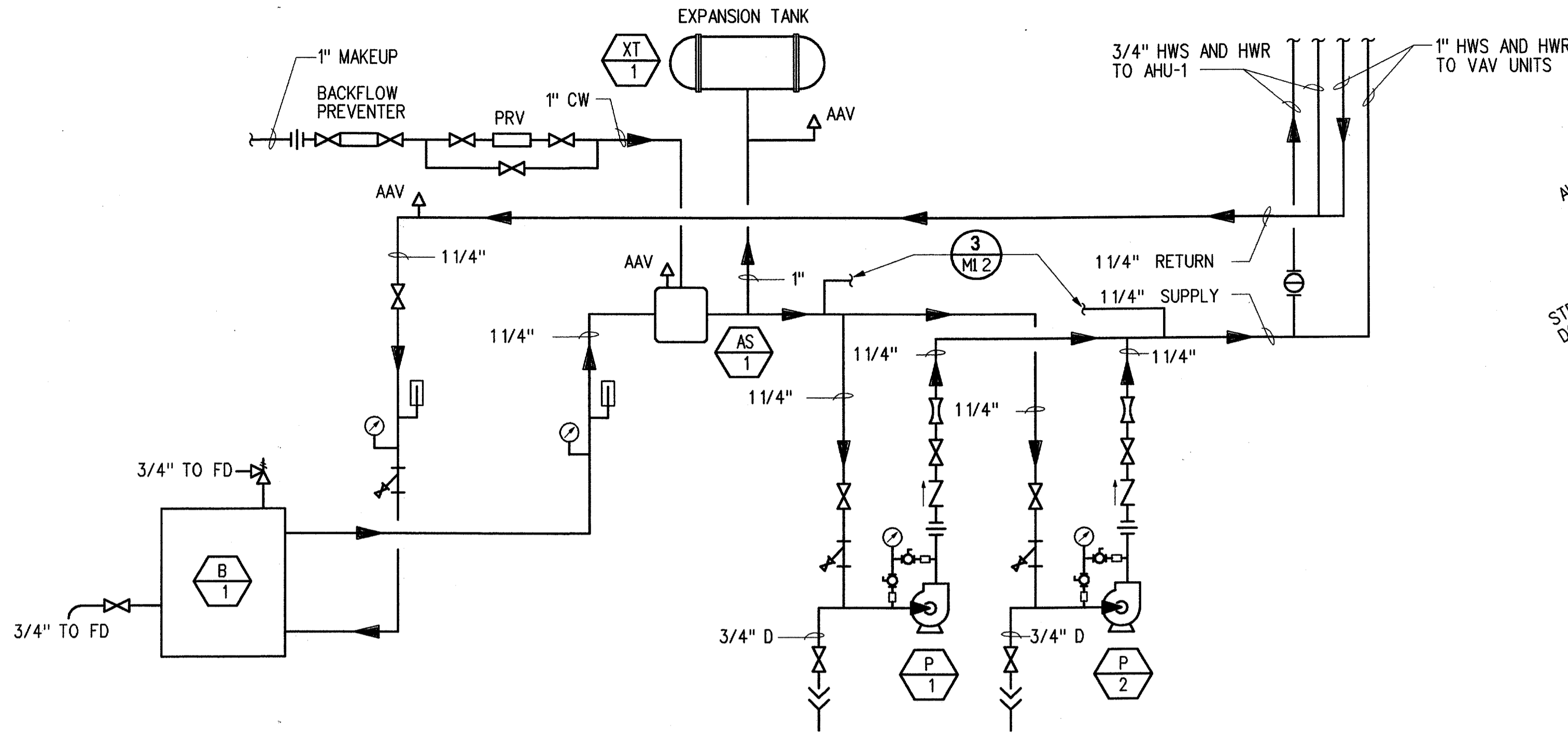


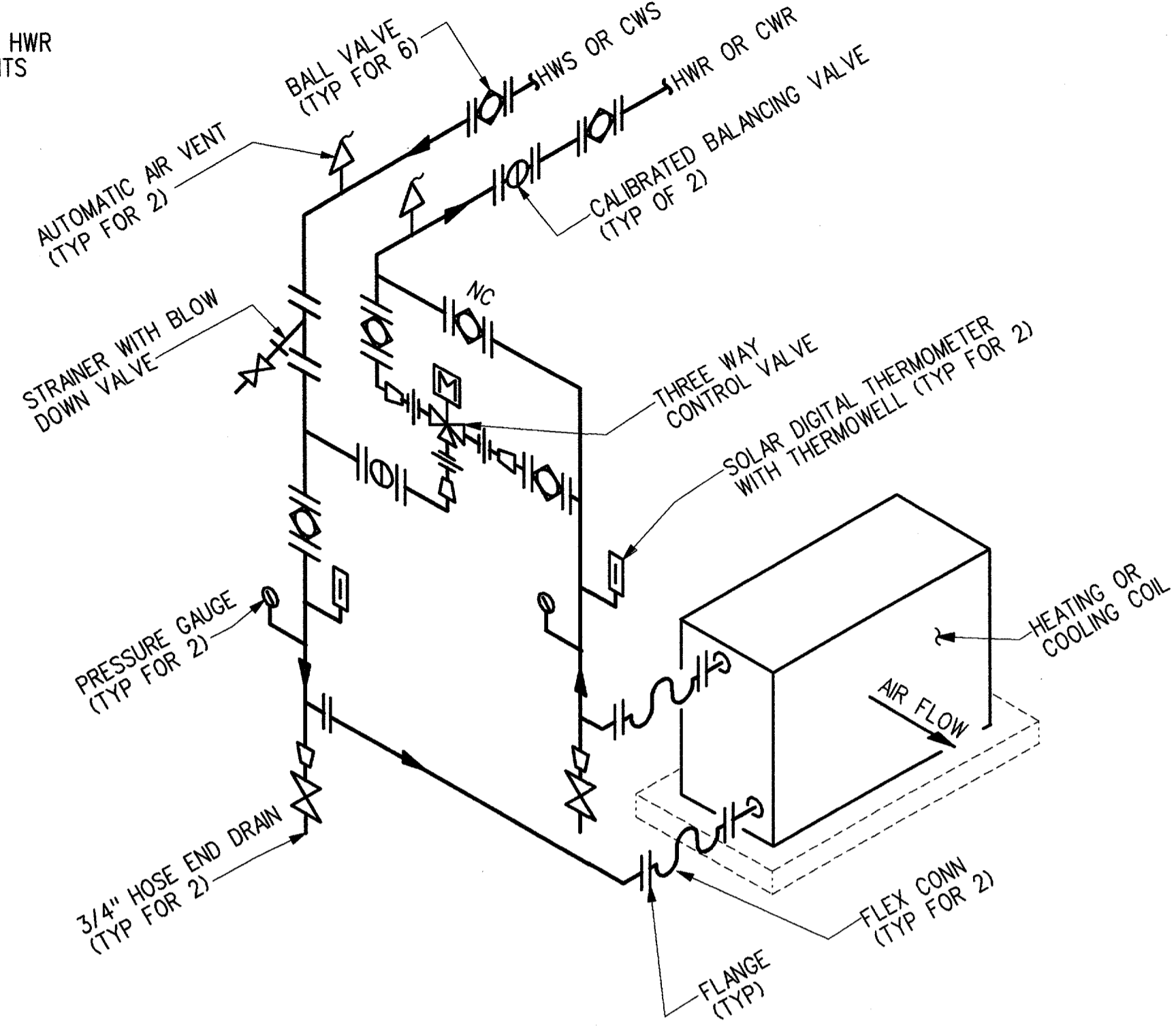
THIS DRAWING PRODUCED ON THE SOUTHWEST REGION MICROSTATION SYSTEM



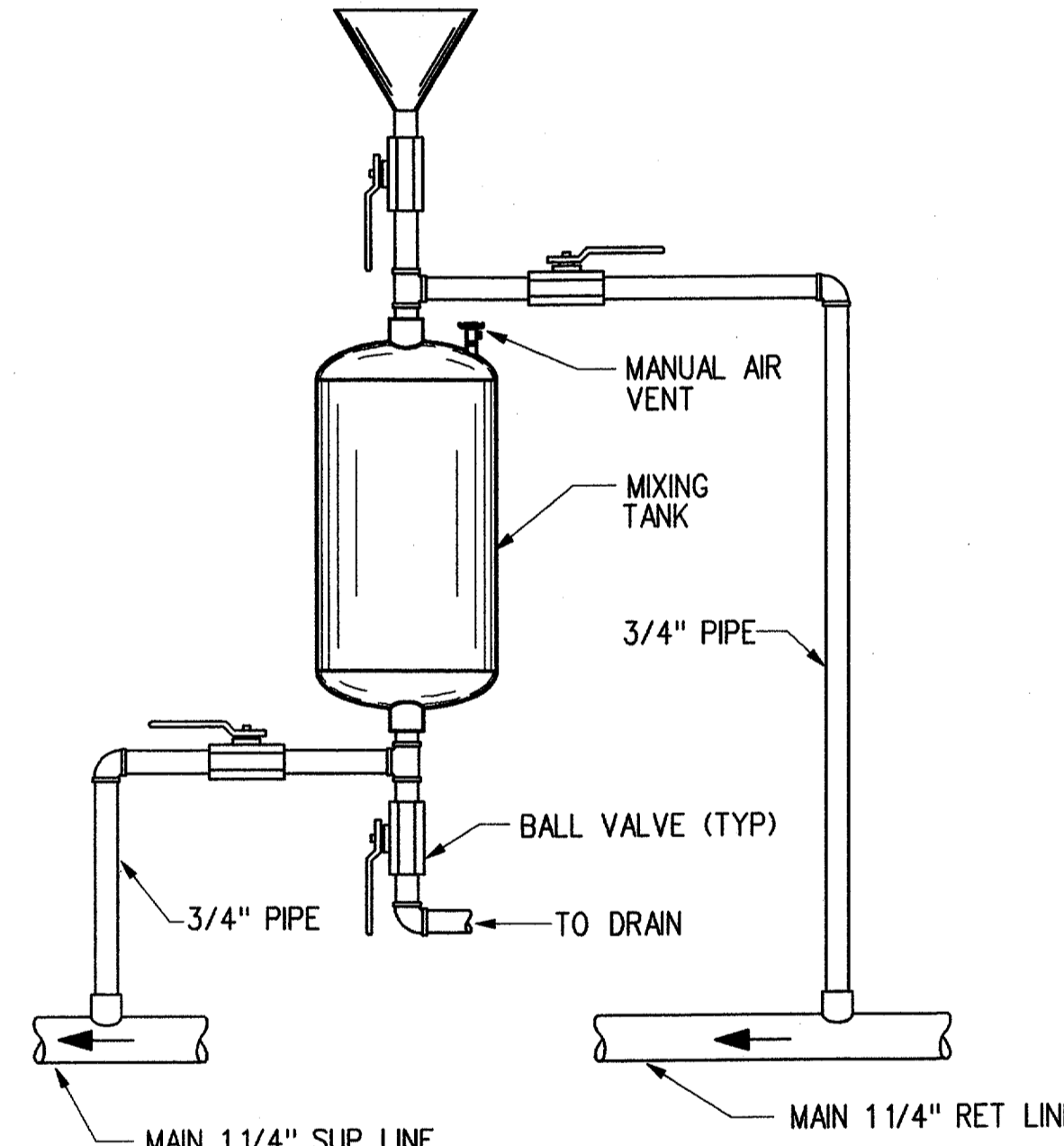
1 INLINE PUMP DETAIL
M012 NOT TO SCALE



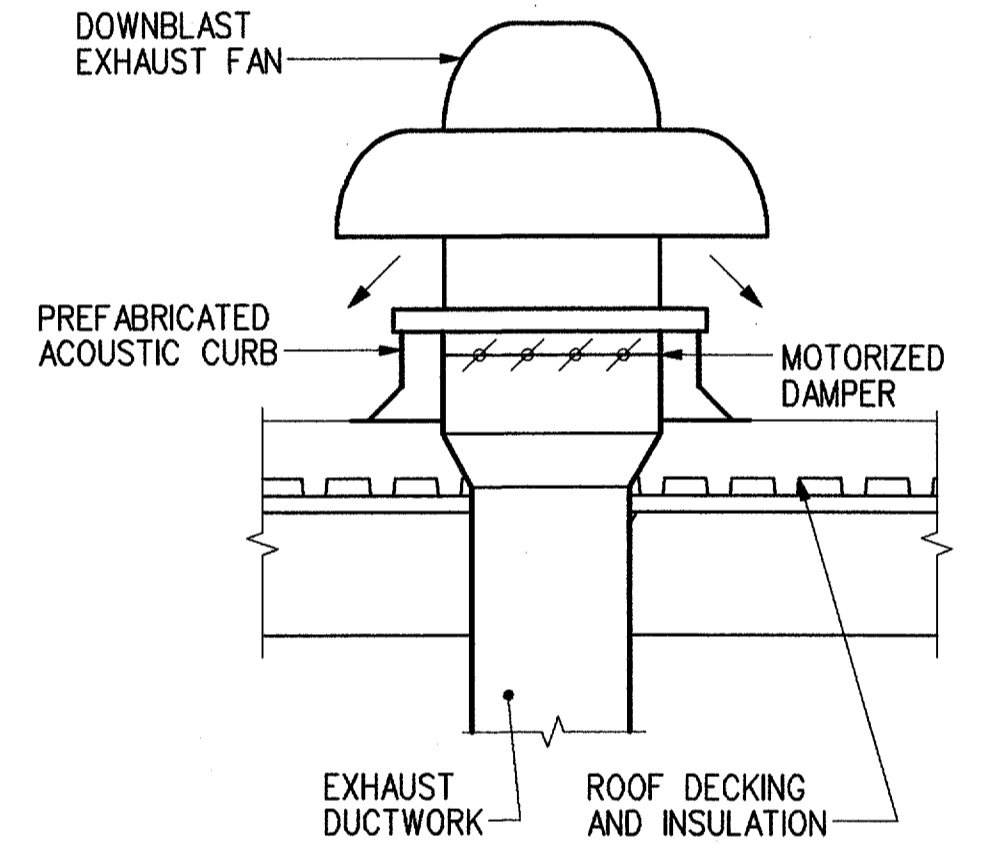
2 HOT WATER FLOW DIAGRAM
M010 M012 NOT TO SCALE



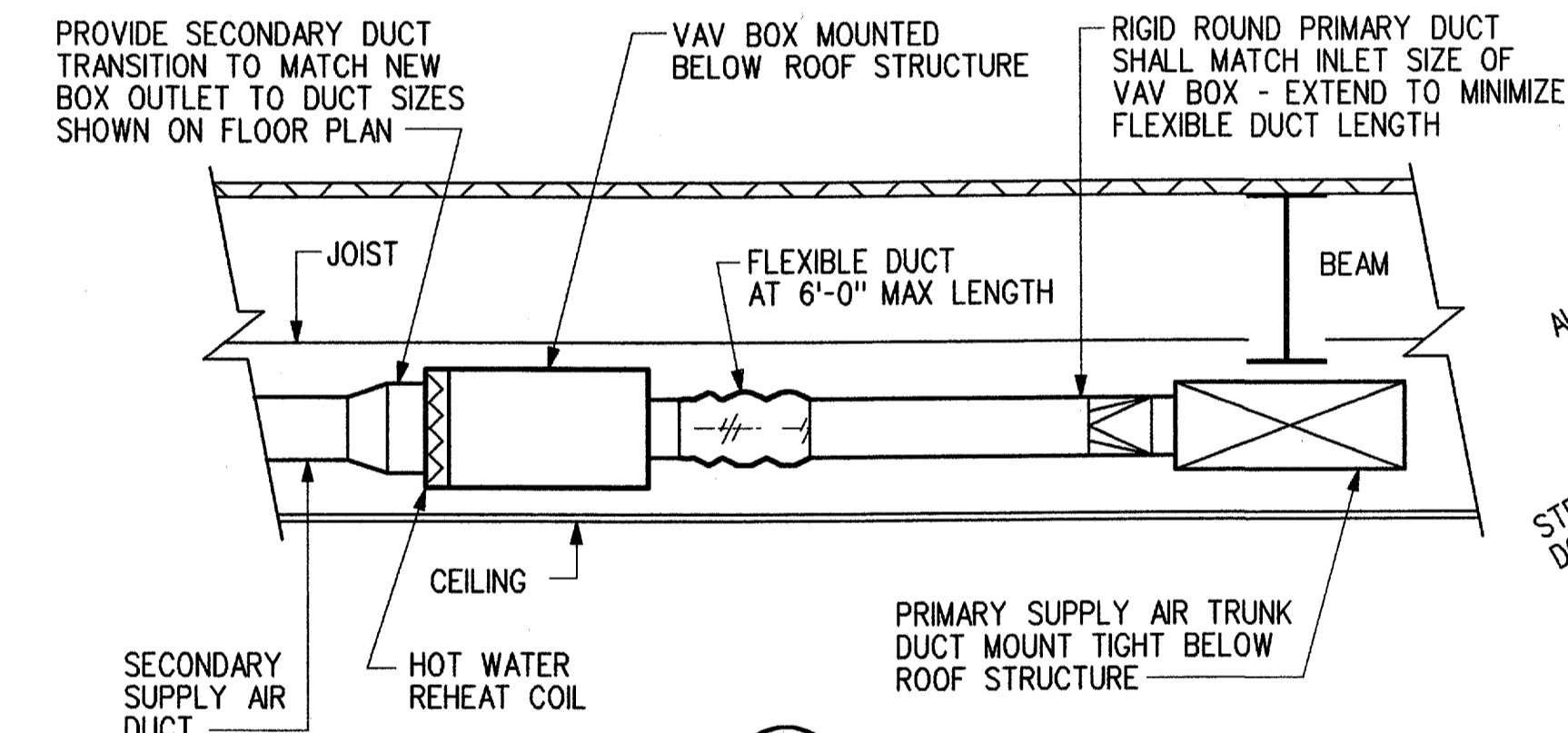
9 PIPING CONNECTION TO AIR HANDLING UNIT DETAIL
M010 M012 NOT TO SCALE



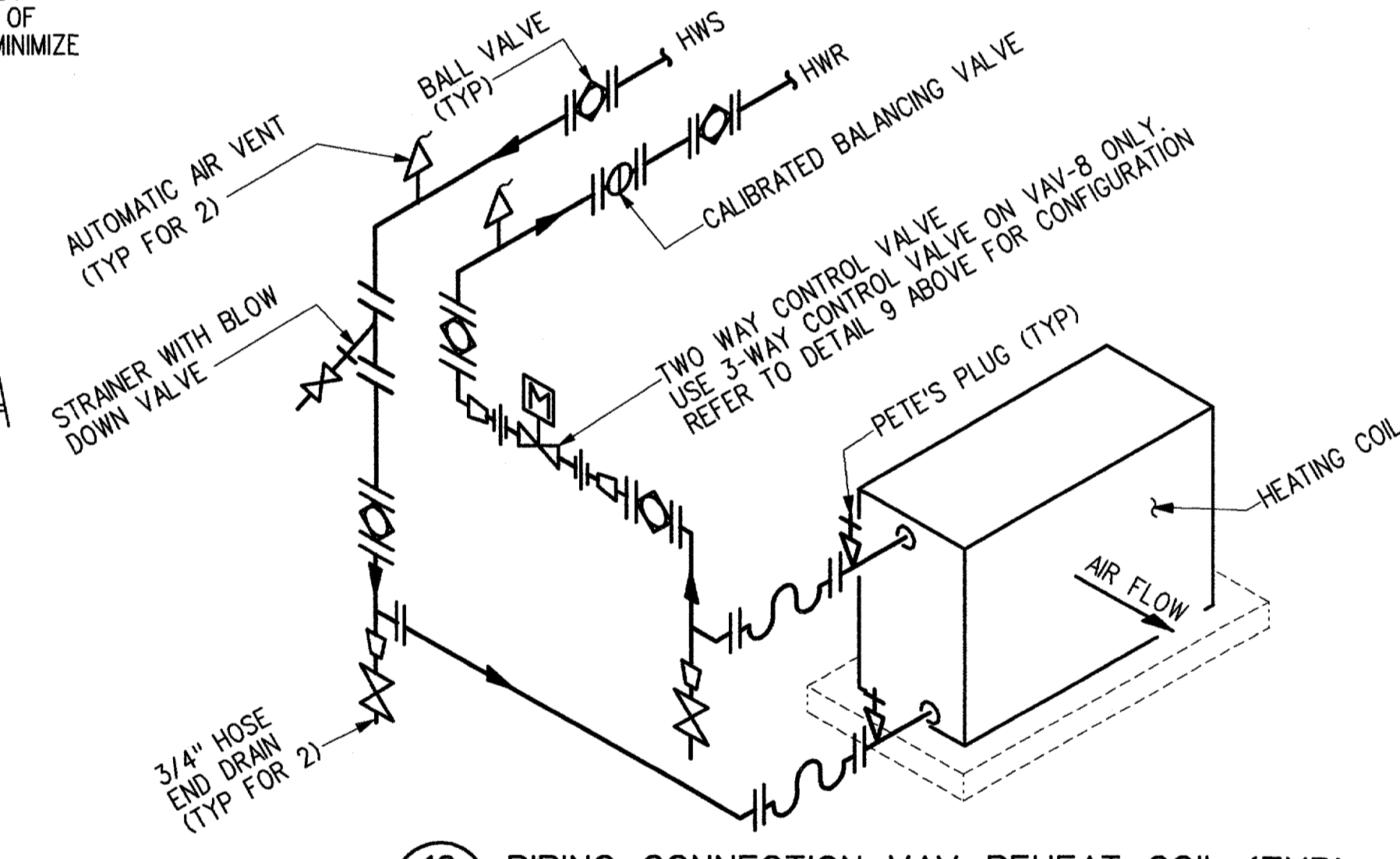
3 CHEMICAL FEEDER DETAIL
M012 NOT TO SCALE



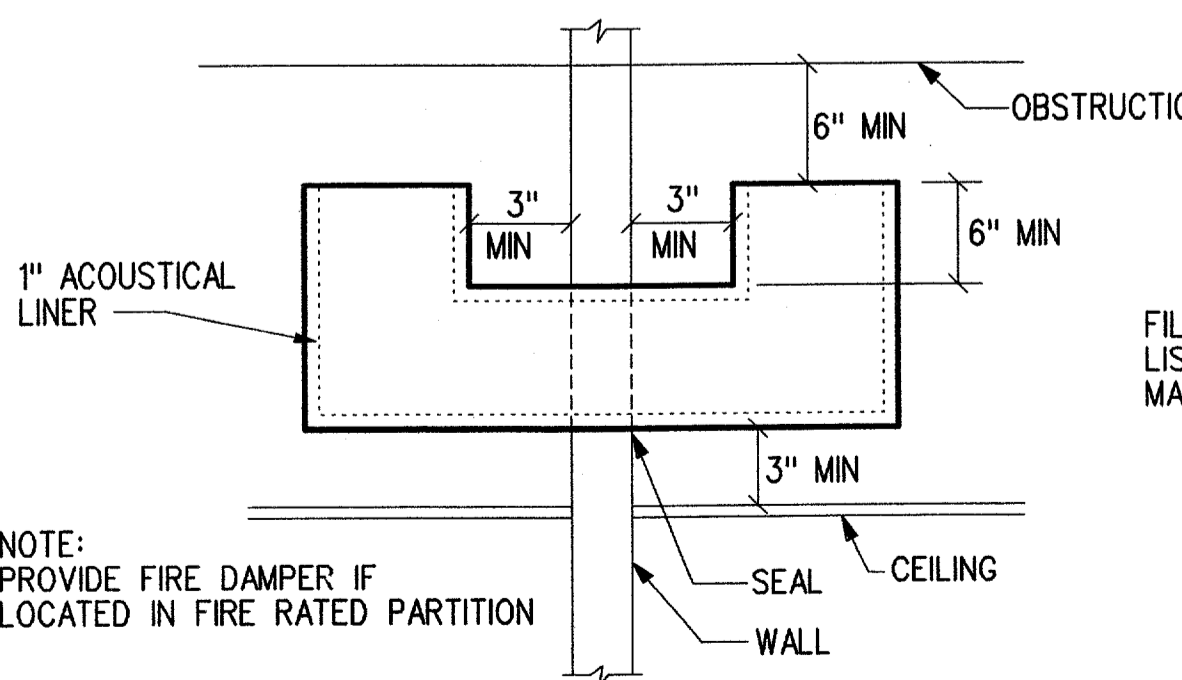
4 ROOF MOUNTED EXHAUST FAN
M007 M008 M009 M010 NOT TO SCALE



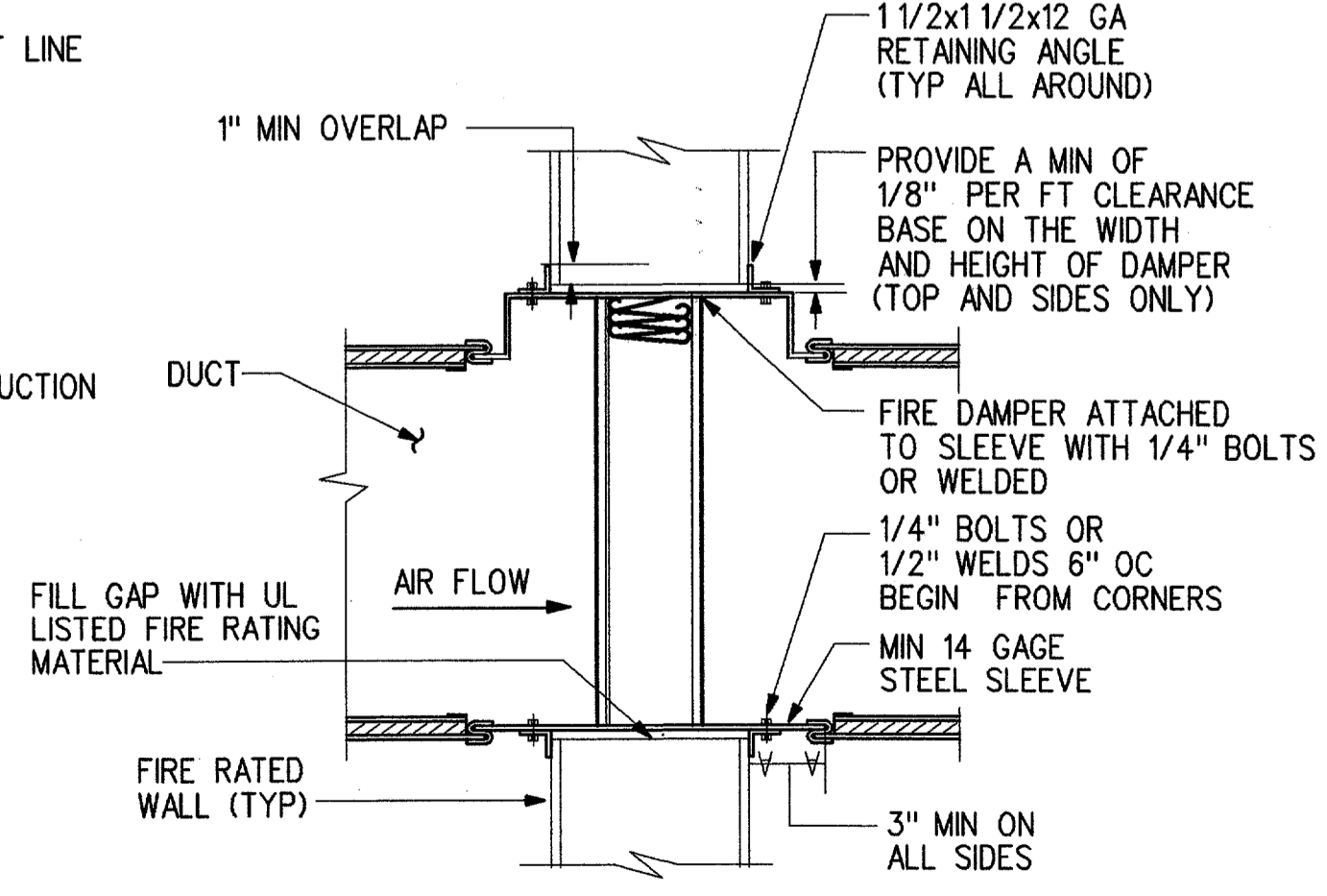
5 VAV TERMINAL
M008 M012 NOT TO SCALE



10 PIPING CONNECTION VAV REHEAT COIL (TYP)
M008 M012 M010 NOT TO SCALE



6 AIR TRANSFER DUCT DETAIL
M008 M012 NOT TO SCALE



7 FIRE DAMPER DETAIL
M008 M012 NOT TO SCALE

REV	DATE	DESCRIPTION	JCN	REDLINE DATE	APVD
A	06-23-03	FAA REDESIGN OF HVAC, JON 21874.	9700164	06-23-03	
DEPARTMENT OF TRANSPORTATION FEDERAL AVIATION ADMINISTRATION FORT WORTH IMPLEMENTATION CENTER FORT WORTH, TX LOW ACTIVITY LEVEL ATCT HVAC DETAILS					
ADDISON		ADDISON AIRPORT		TX	
REVIEWED BY	SUBMITTED BY	APPROVED BY			
	<i>W. Deen</i> 7/21/03	<i>John L. White</i> 7/18/03			
DESIGNED	M. DOERR	PROJECT ENGINEER, ANI-630	DATE	06-23-03	JCN
DRAWN	LTM	NAS IMPLEMENTATION ANI-600	ISSUED BY		9700164
CHECKED			DATE	06-23-03	REV
					ADS-D-ATCT-M012

P:\9801\atct\hvac\add-on\add-on.dwg: m012-c.dwg 07/17/2003 04:54:11 PM kkm