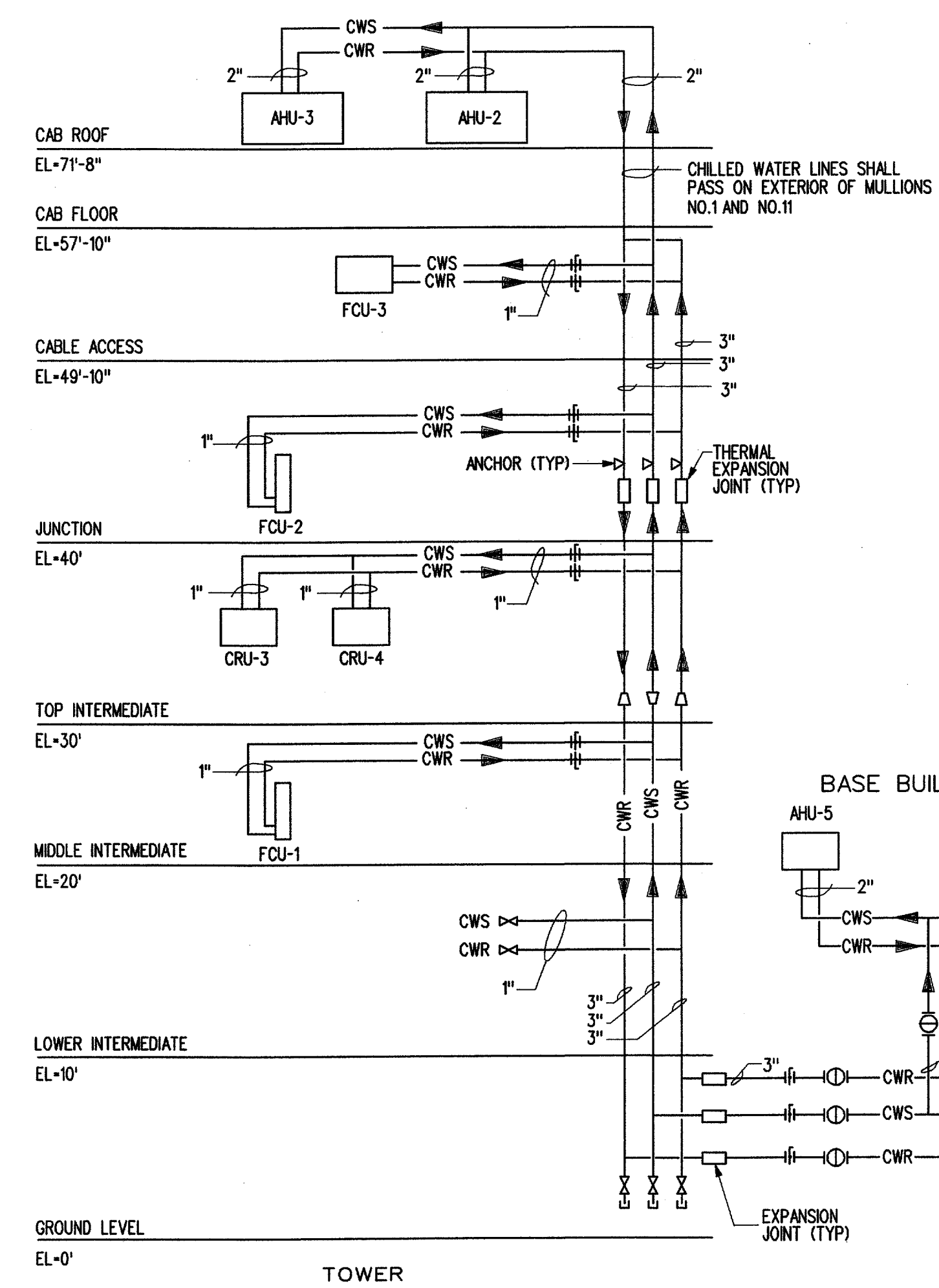


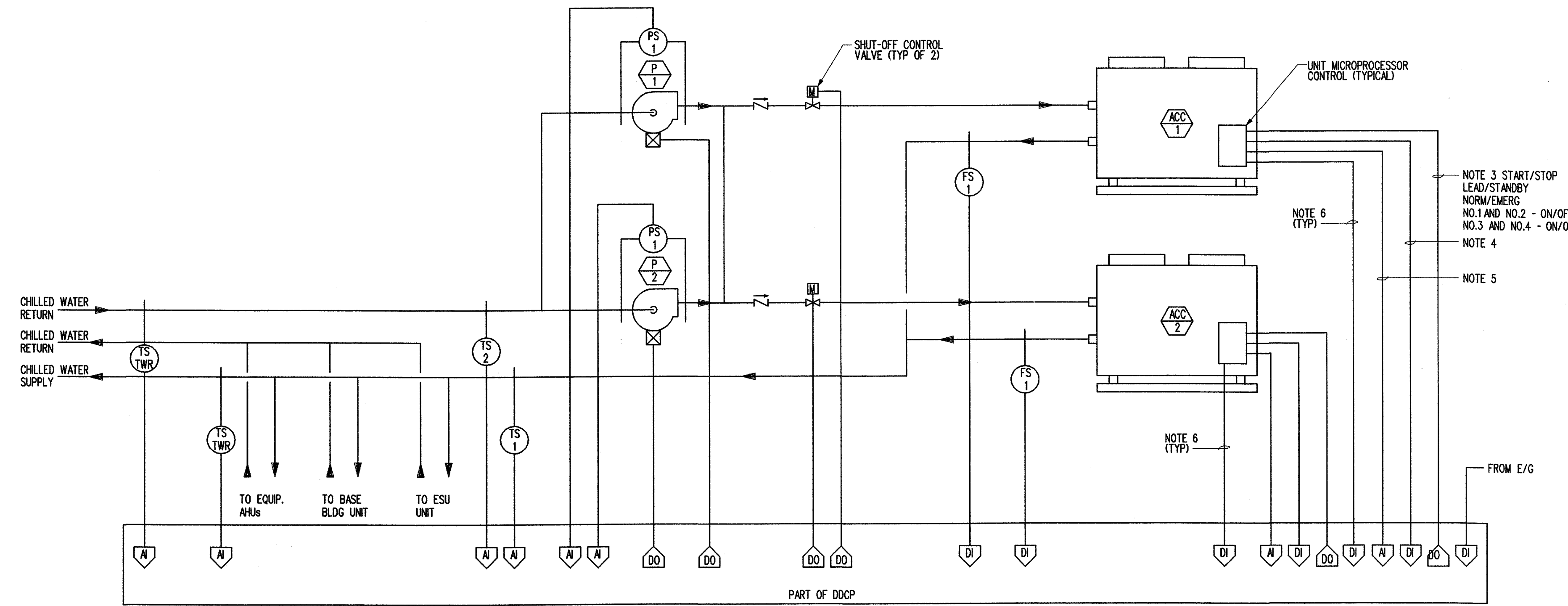
THIS DRAWING PRODUCED ON THE SOUTHWEST REGION MICROSTATION SYSTEM

8 7 6 5 4 3 2 1

H
G
F
E
D
C
B
A



CHILLED WATER RISER DIAGRAM
NOT TO SCALE



TEMPERATURE CONTROL AND WATER FLOW DIAGRAM
AIR COOLED CHILLER ACC-1 AND ACC-2 (EQUIPMENT YARD)

NOTES:

1. FOR GENERAL NOTES, SEE DRAWING M001.
2. FOR SEQUENCE OF OPERATION, SEE SPECIFICATION SECTION 15975.
3. PROVIDE THE DDCP OUTPUT CONNECTIONS LISTED (TYPICAL FOR EACH ACC).
4. ALL DIGITAL STATUS/ALARM INDICATORS INCLUDED IN THE CHILLER MICROPROCESSOR CONTROL.
5. ALL ANALOG STATUS/ALARM INDICATORS INCLUDED IN THE CHILLER MICROPROCESSOR CONTROL.
6. PROVIDE CURRENT RELAY SWITCH FOR EACH COMPRESSOR TO INDICATE RUNNING STATUS.
7. SEE DETAILS ON DRAWINGS M014 FOR ALL COIL AND EQUIPMENT CONNECTIONS.
8. RISER DIAGRAMS ARE PROVIDED TO SHOW PIPING SIZES ONLY. FOR EXACT PIPING LENGTHS AND EQUIPMENT QUANTITIES, REFERENCE FLOOR PLANS.

REV	DATE	DESCRIPTION	JCN	REDLINE DATE	APVD
A	06-23-03	FAA REDESIGN OF HVAC, JON 21874.	9700164	06-23-03	
DEPARTMENT OF TRANSPORTATION FEDERAL AVIATION ADMINISTRATION FORT WORTH IMPLEMENTATION CENTER FORT WORTH, TX					
LOW ACTIVITY LEVEL ATCT CHILLED WATER RISER AND CONTROL DIAGRAMS					
ADDISON		ADDISON AIRPORT		TX	
REVIEWED BY	SUBMITTED BY	APPROVED BY			
	<i>M. Doerr</i> 7/21/03	<i>Johnnie L. White</i> 7/18/03			
DESIGNED	M. DOERR	ISSUED BY	DATE	JCN	9700164
DRAWN	LTM	NAS IMPLEMENTATION ANI-600	06-23-03		REV
CHECKED					A
ADS-D-ATCT-M013					

m:\as\atct\active\water-riser-atct-m013.rdpn
07/17/2003 09:54:35 PM 6000

8 7 6 5 4 3 2 1