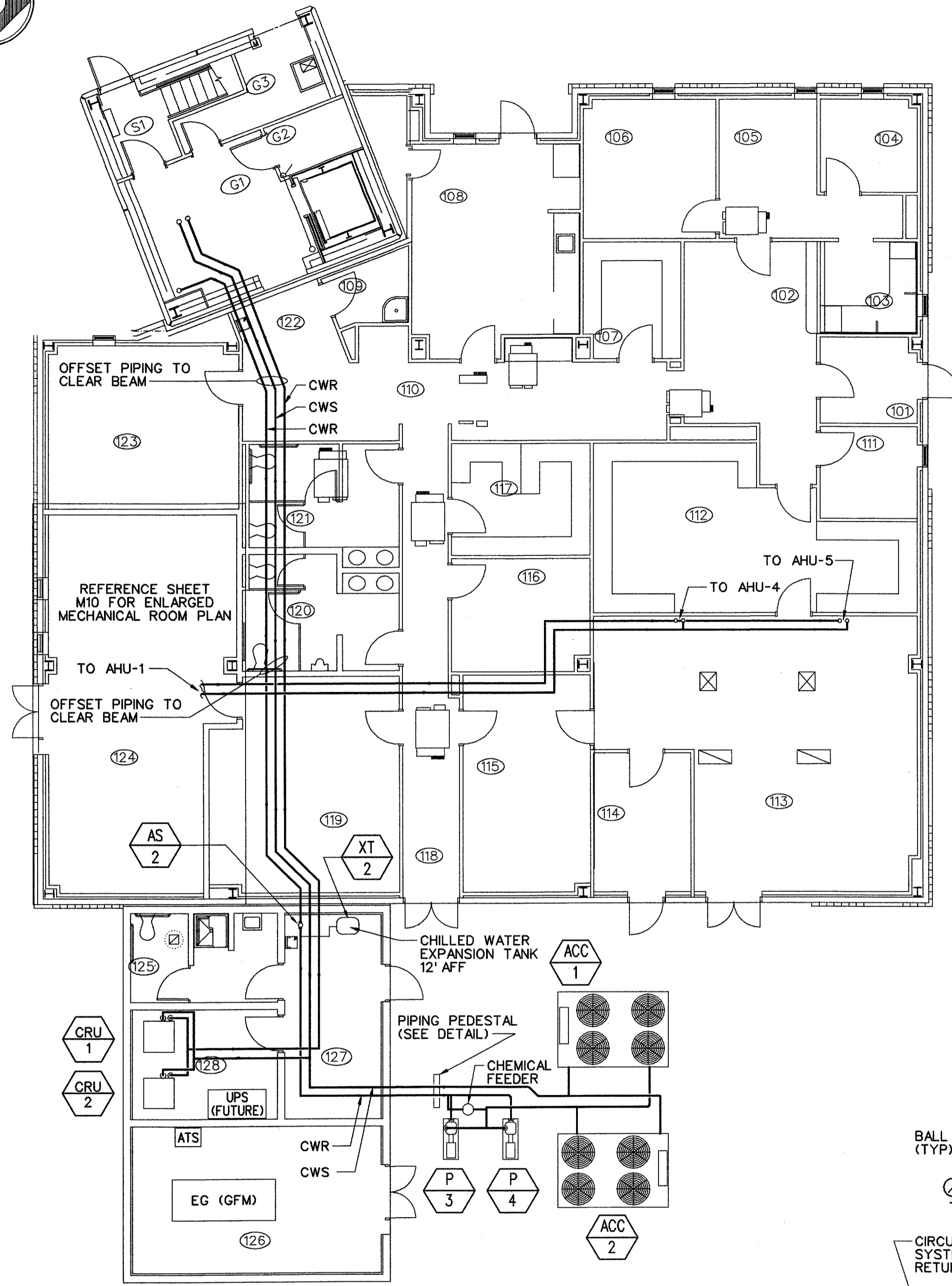
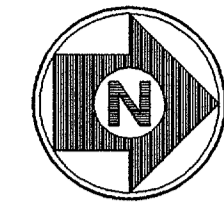
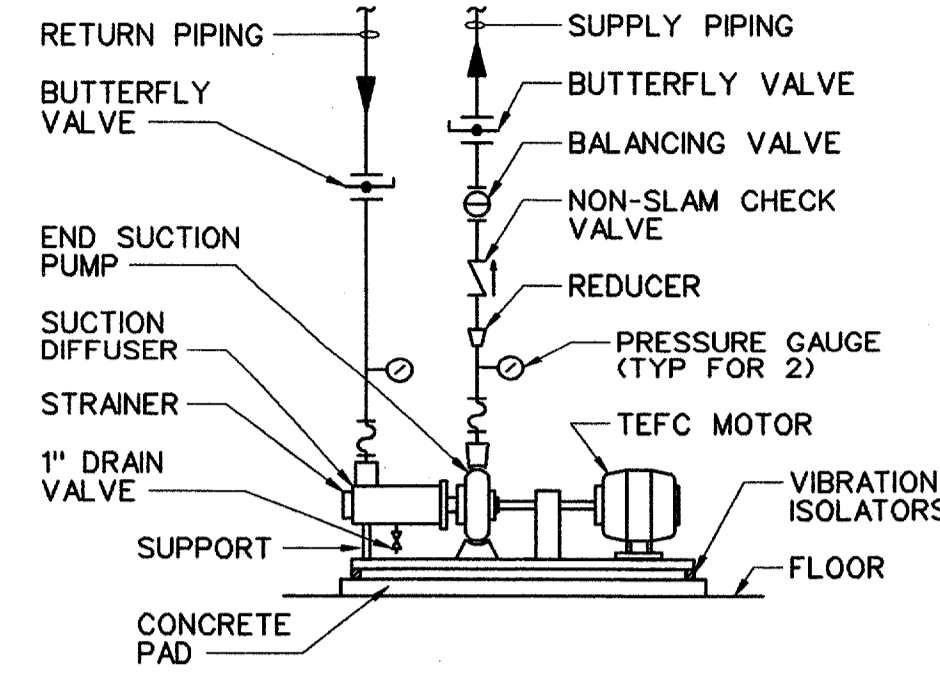


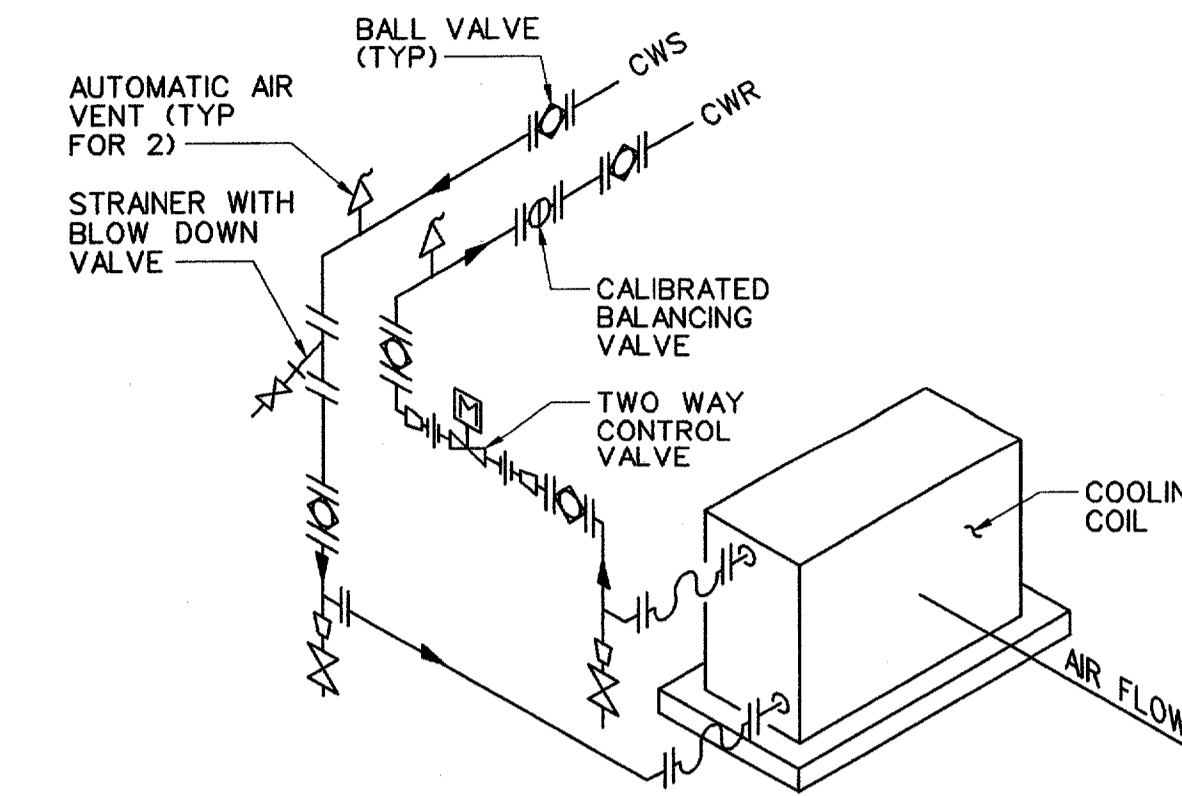
THIS DRAWING PRODUCED ON THE SOUTHWEST REGION MICROSTATION SYSTEM



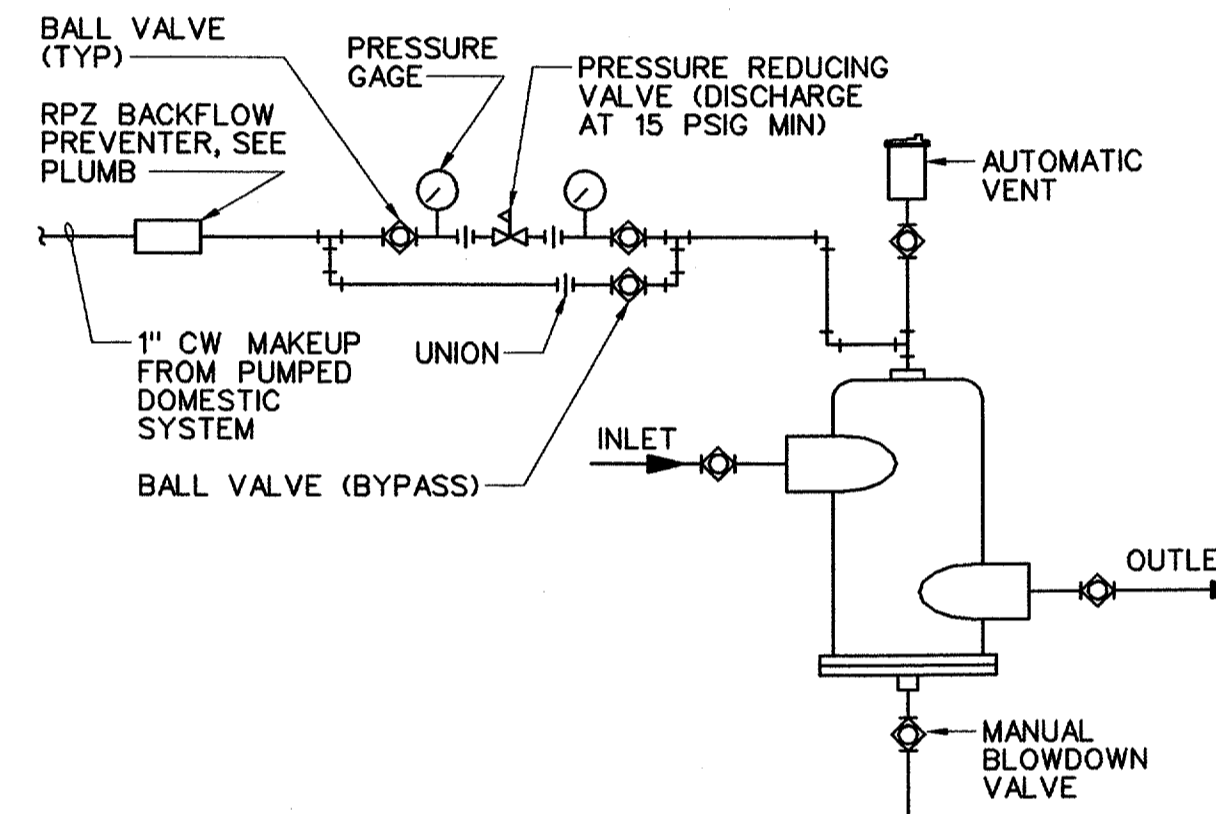
CHILLER WATER PIPING GROUND FLOOR
SCALE: 1/8" = 1' - 0"



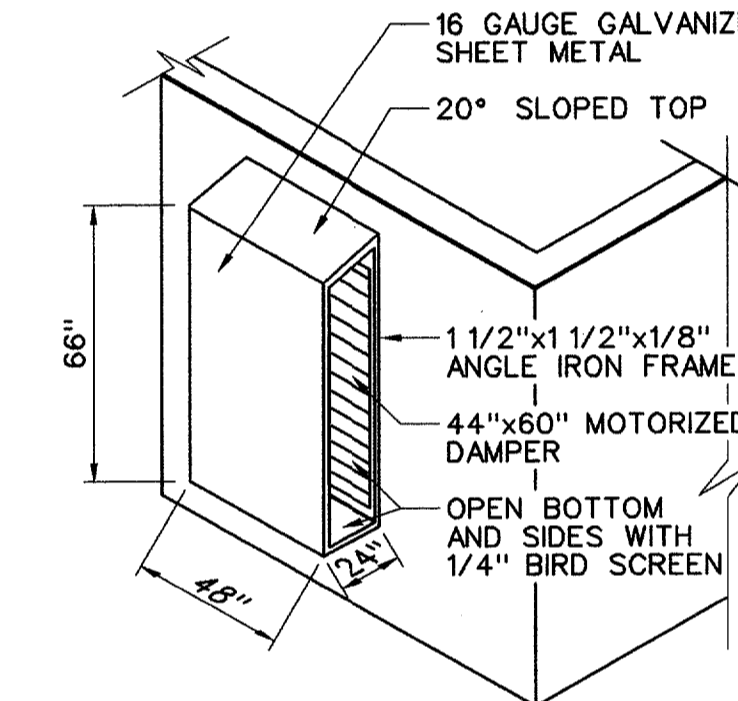
1 PUMP PIPING DETAIL
M014 NOT TO SCALE



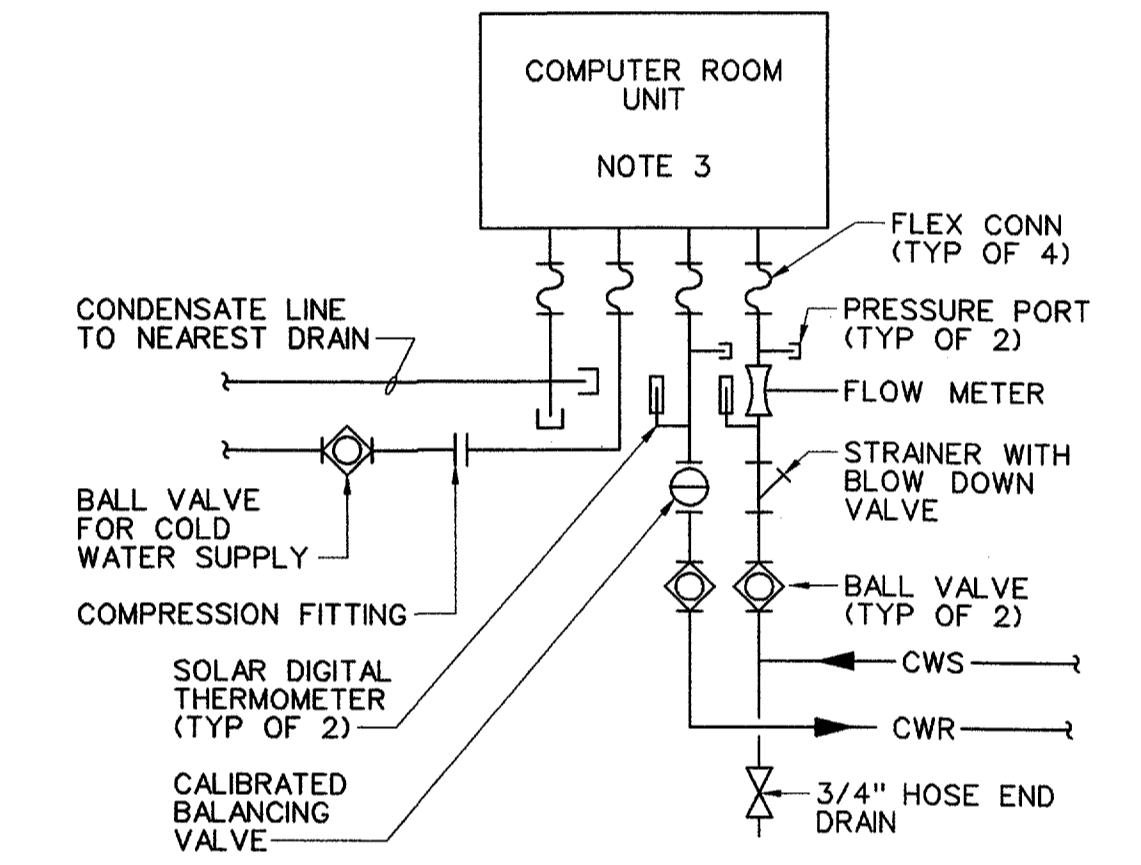
2 FAN COIL UNIT PIPING DETAIL (TYP)
M014 NOT TO SCALE



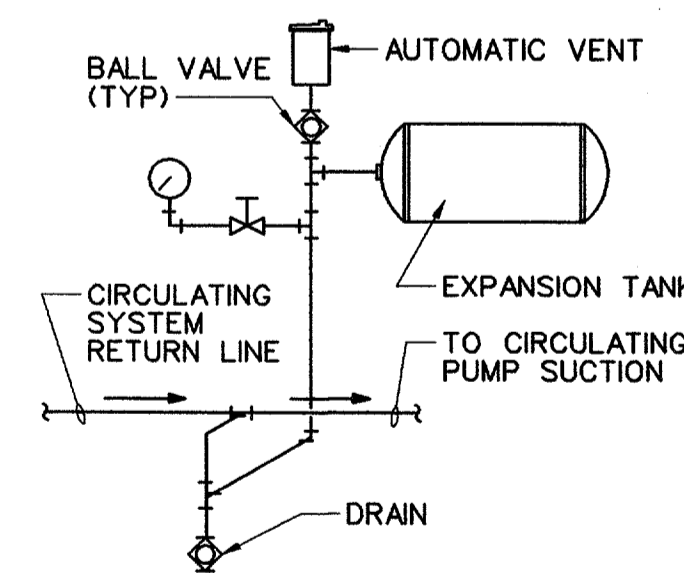
3 AIR SEPARATOR
M014 NOT TO SCALE



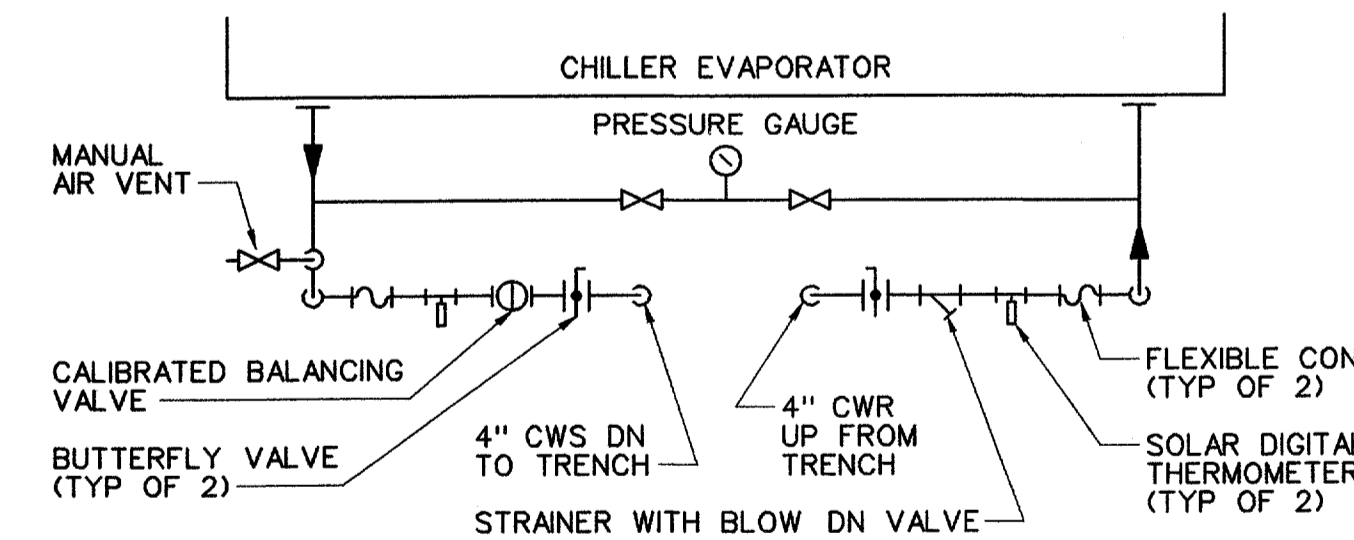
4 RAIN HOOD ISOMETRIC
M014 NOT TO SCALE



5 PIPING CONNECTION TO COMPUTER ROOM UNIT
M014 NOT TO SCALE

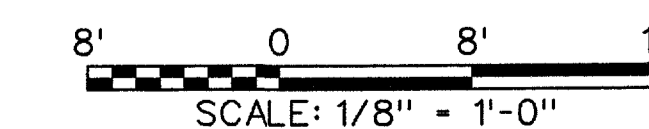


6 EXPANSION TANK
M014 NOT TO SCALE



7 PIPING CONNECTION TO CHILLER (ACC-1 AND 2)
M014 NOT TO SCALE

A		06-23-03	FAA REDESIGN OF HVAC, JON 21874.	9700164	06-23-03	
REV	DATE	DESCRIPTION		JCN	REDLINE DATE	APVD
DEPARTMENT OF TRANSPORTATION FEDERAL AVIATION ADMINISTRATION FORT WORTH IMPLEMENTATION CENTER FORT WORTH, TX LOW ACTIVITY LEVEL ATCT MECHANICAL DETAILS AND CHILLED WATER PIPING LAYOUT						
ADDISON		ADDISON AIRPORT		TX		
REVIEWED BY	SUBMITTED BY	APPROVED BY				
	Mike Owen 7/21/03	Johnnie L. White 7/15/03				
DESIGNED	M. DOERR	ISSUED BY	DATE	JCN	9700164	
DRAWN	KS	NAS IMPLEMENTATION ANI-600	06-23-03		REV	
CHECKED					ADS-D-ATCT-M014	A



m:\vsh\atct\Vertha\Vertha-d-mech-m014-r.dgn 07/17/2003 04:54:16 PM keom