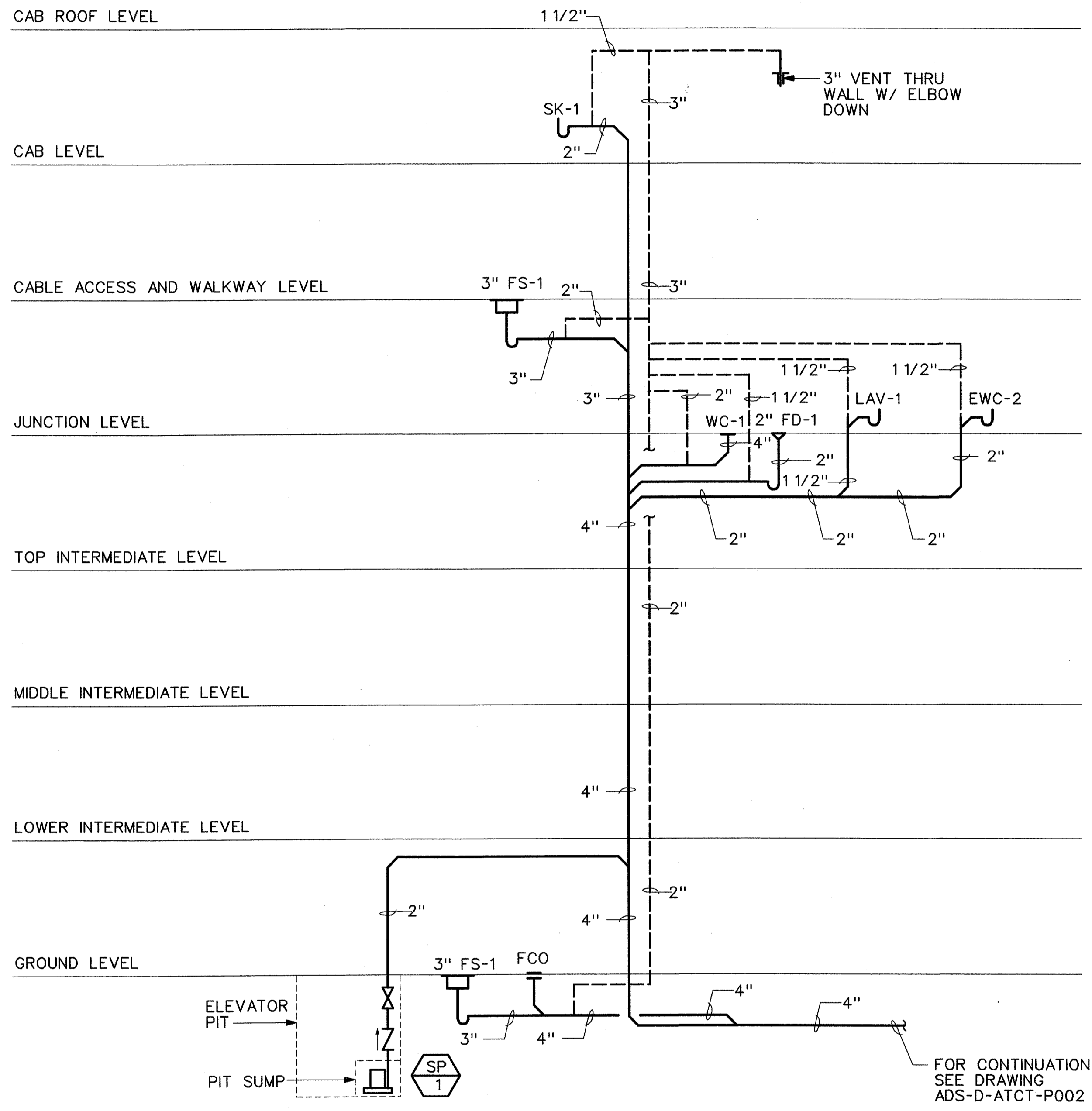


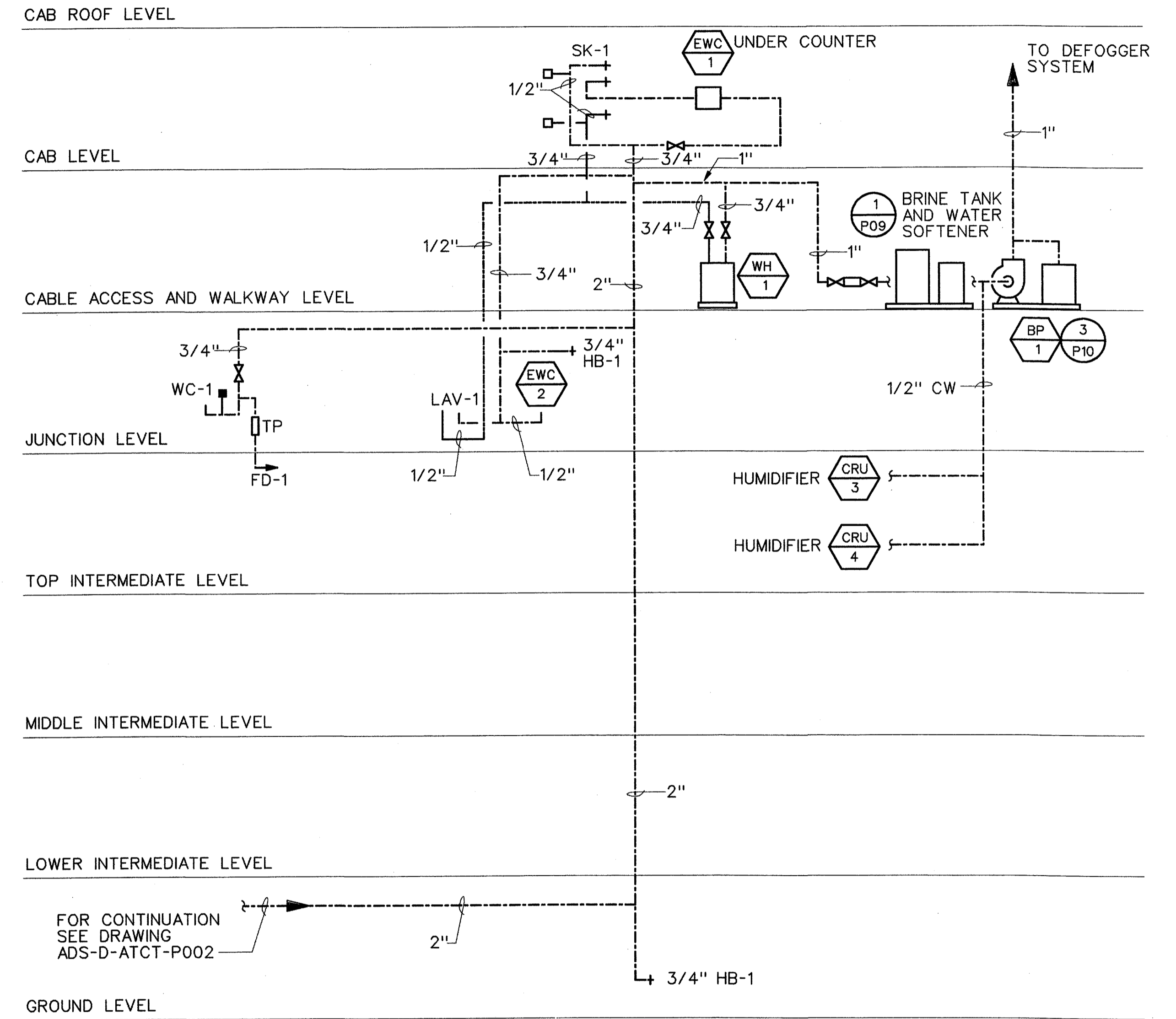
THIS DRAWING PRODUCED ON THE SOUTHWEST REGION MICROSTATION SYSTEM

NOTES:

1. FOR GENERAL NOTES, SEE DRAWING ADS-D-ATCT-M001.



SOIL/WASTE AND VENT RISER DIAGRAM - ATCT



DOMESTIC WATER RISER DIAGRAM - ATCT

A		06-23-03	FAA REDESIGN FOR HVAC, JON 21874.	9700164	06-23-03	
REV	DATE	DESCRIPTION		JCN	REDLINE DATE	APVD
DEPARTMENT OF TRANSPORTATION FEDERAL AVIATION ADMINISTRATION FORT WORTH IMPLEMENTATION CENTER FORT WORTH, TX LOW ACTIVITY LEVEL ATCT PLUMBING RISER DIAGRAMS						
ADDISON		ADDISON AIRPORT		TX		
REVIEWED BY	SUBMITTED BY	APPROVED BY				
	<i>M. Doerr</i> 7/23/03	<i>Johnnie P. White</i> 7/15/03				
DESIGNED	M. DOERR	PROJECT ENGINEER, ANI-630	DATE	06-23-03	JCN	9700164
DRAWN	SLH	NAS IMPLEMENTATION ANI-600	ISSUED BY		DRAWING NO	REV
CHECKED					ADS-D-ATCT-P003	A

m:\addison\atct\active\ads-d-atct-p003-a.dgn
07/17/2003 04:54:22 PM krom