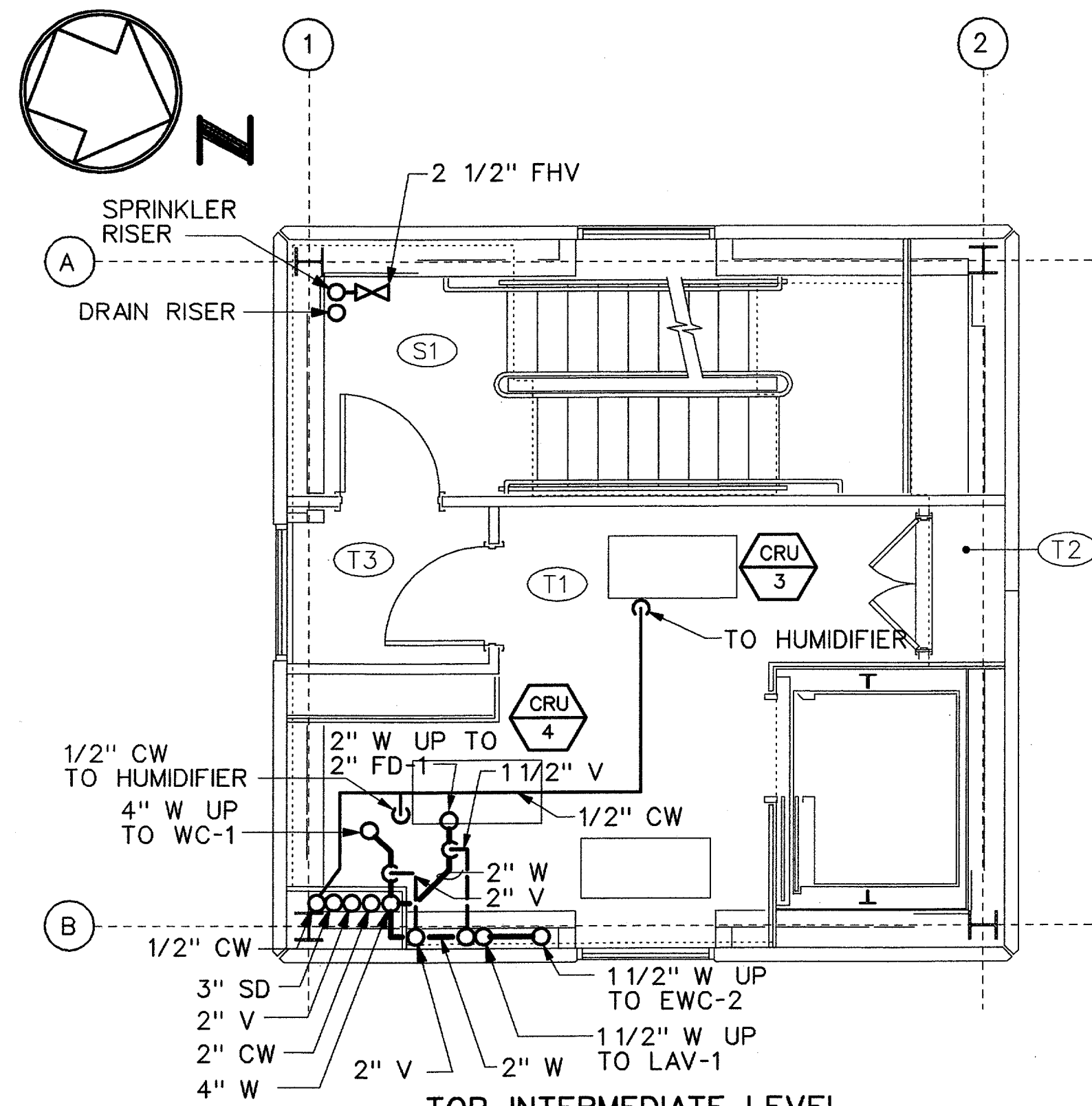
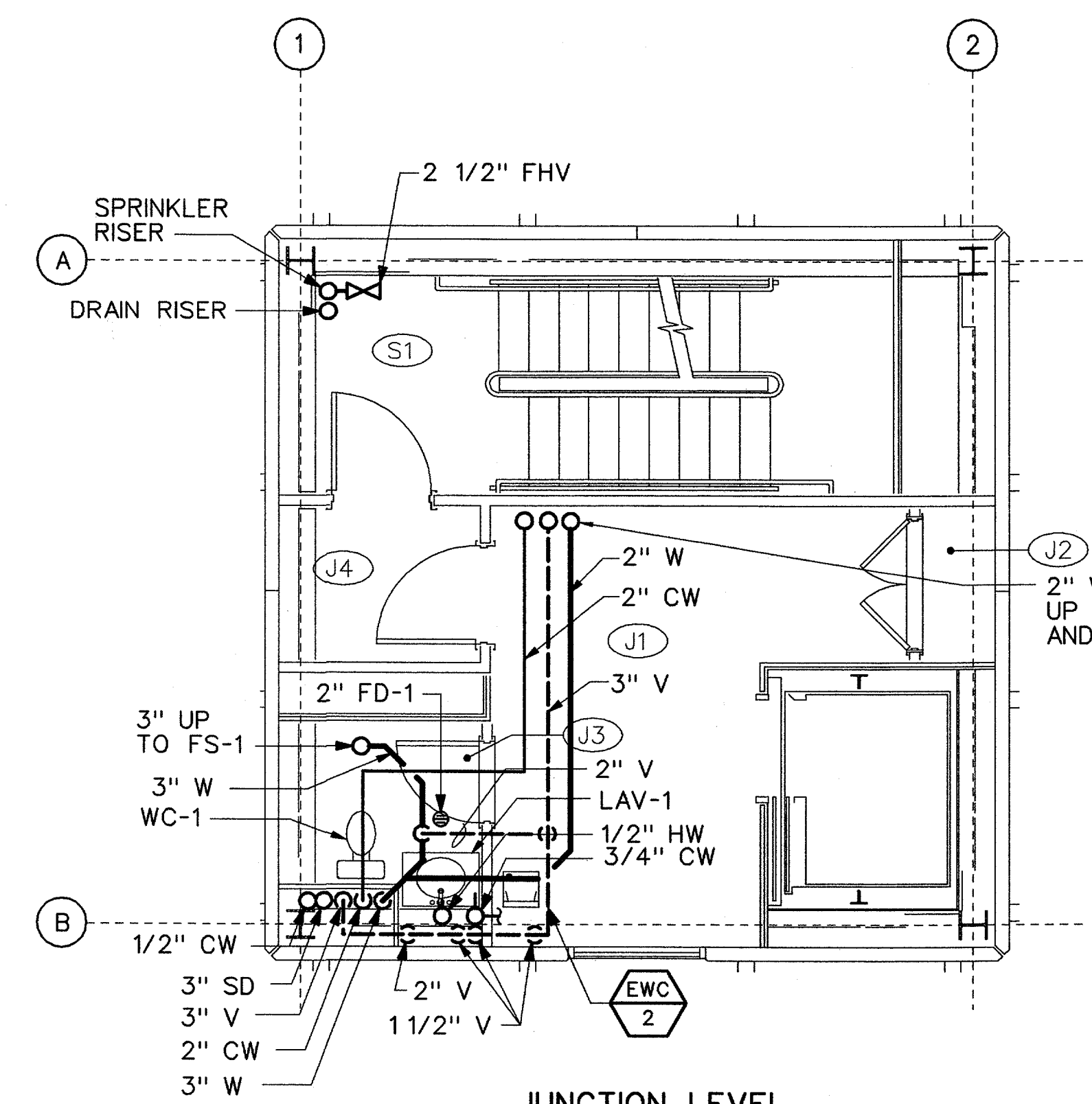


THIS DRAWING PRODUCED ON THE SOUTHWEST REGION MICROSTATION SYSTEM



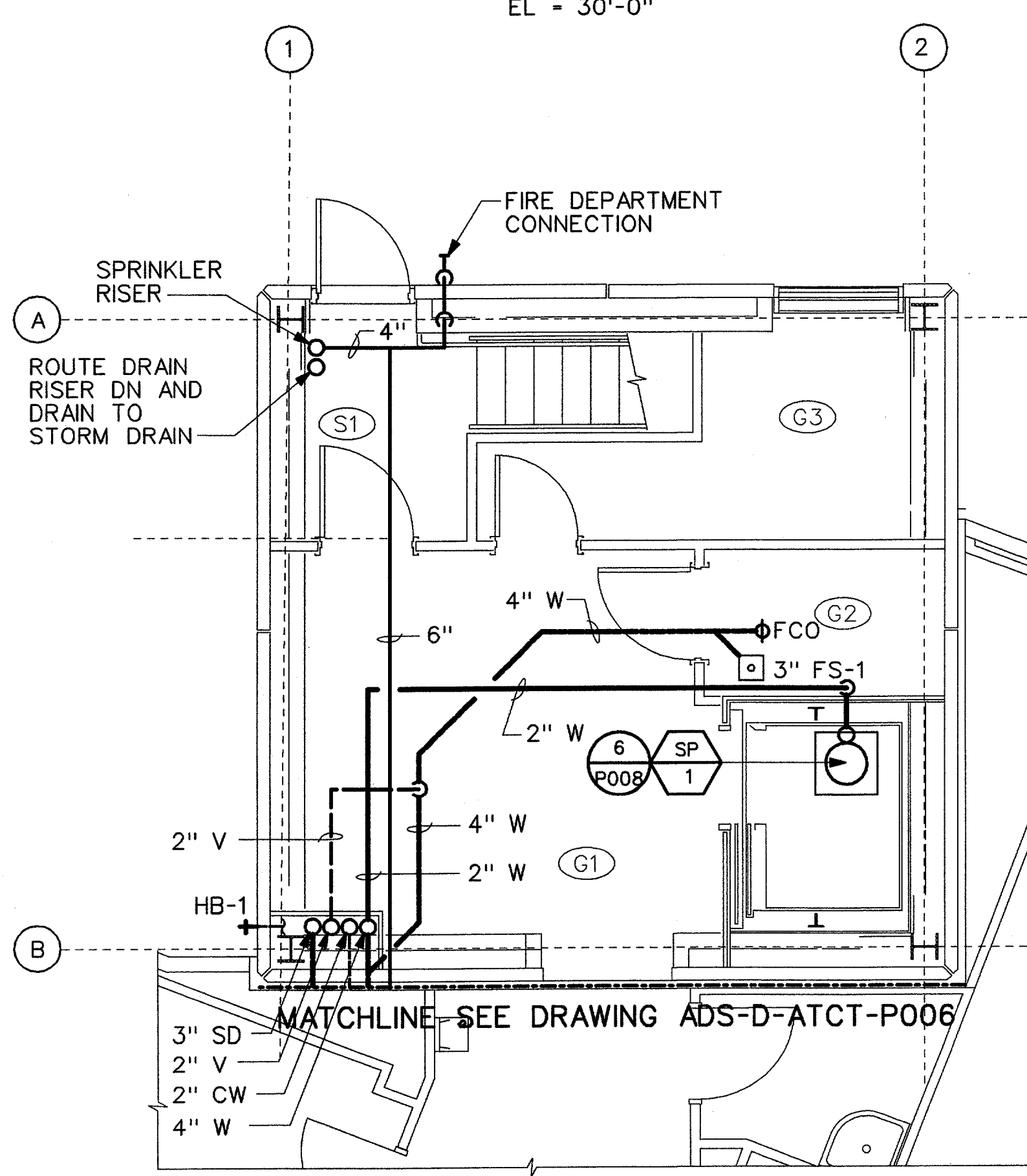
TOP INTERMEDIATE LEVEL

SCALE: 1/4" = 1'-0"
EL = 30'-0"



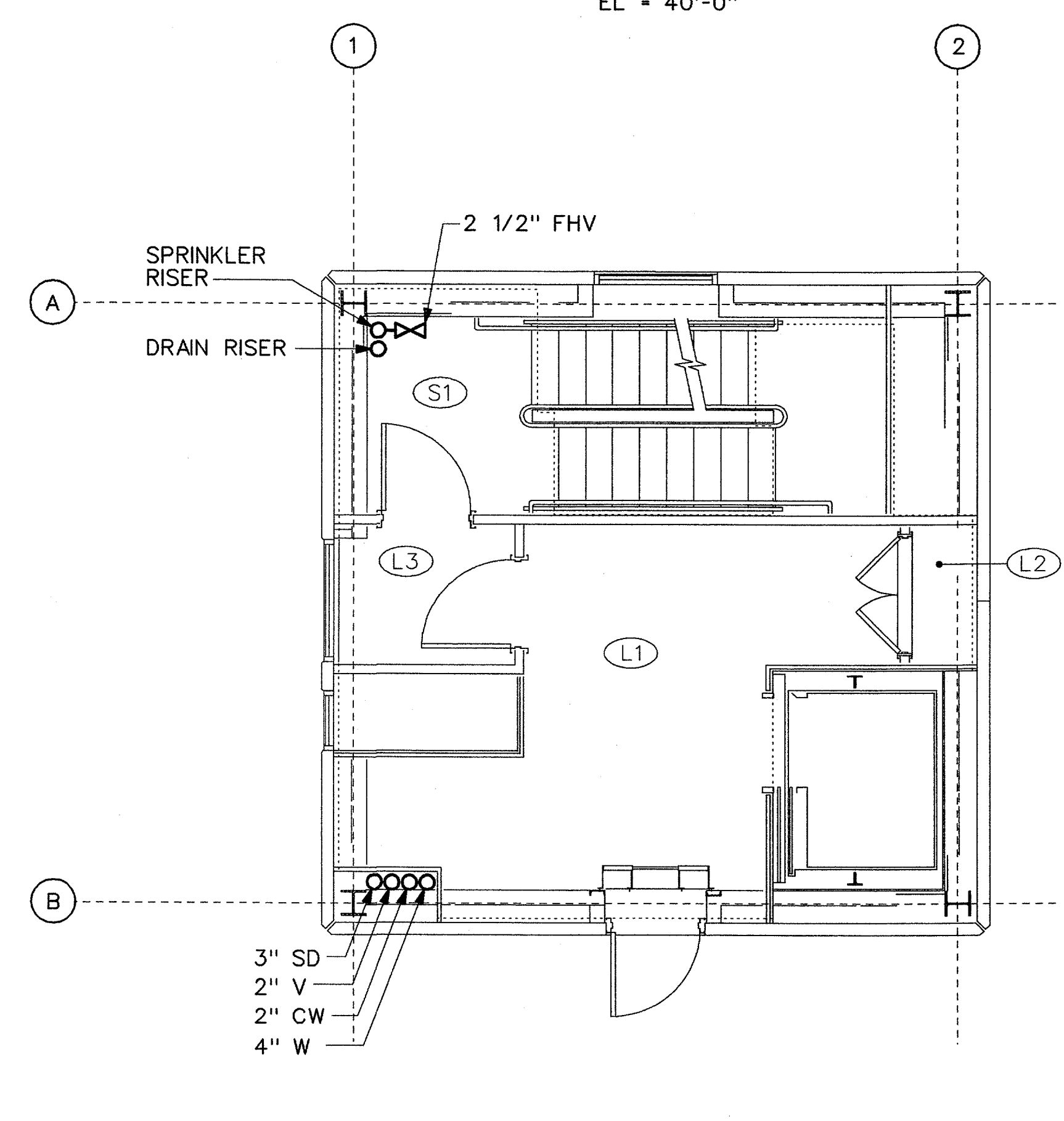
JUNCTION LEVEL

SCALE: 1/4" = 1'-0"
EL = 40'-0"



GROUND LEVEL

SCALE: 1/4" = 1'-0"
EL = 0'-0"

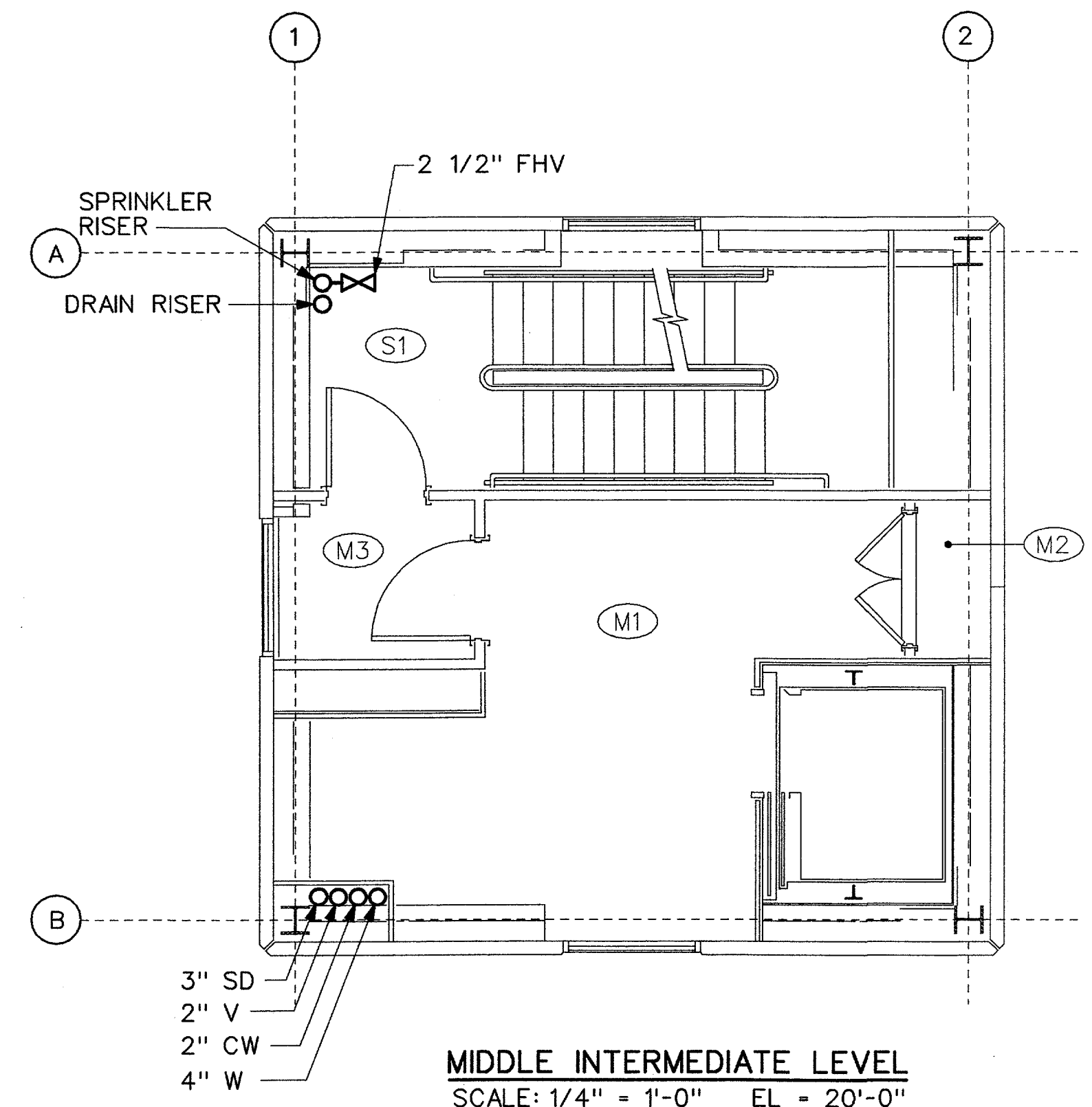


LOWER INTERMEDIATE LEVEL

SCALE: 1/4" = 1'-0"
EL = 10'-0"

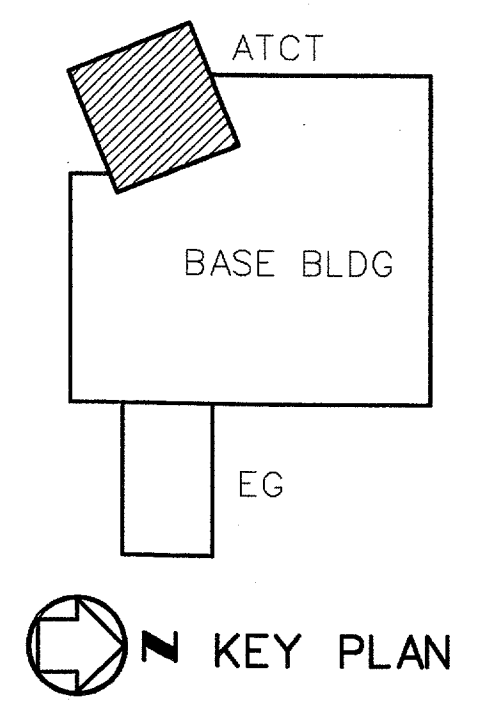
| ROOM SCHEDULE | |
|---------------|-----------------------|
| RM NO. | ROOM NAME |
| G1 | LOBBY |
| G2 | ELEVATOR MACHINE ROOM |
| G3 | STAIR PRESSURIZATION |
| L1 | UNASSIGNED |
| L2 | CABLE CHASE |
| L3 | VESTIBULE |
| M1 | ELECTRICAL EQUIPMENT |
| M2 | CABLE CHASE |
| M3 | VESTIBULE |
| T1 | ELECTRONIC EQUIPMENT |
| T2 | CABLE CHASE |
| T3 | VESTIBULE |
| J1 | CORRIDOR |
| J2 | CABLE CHASE |
| J3 | RESTROOM |
| J4 | VESTIBULE |
| S1 | STAIR |

- NOTES:**
- FOR GENERAL NOTES, SEE DRAWING ADS-D-ATCT-M001.
 - FOR RISER DIAGRAMS, SEE DRAWING ADS-D-ATCT-P003.
 - HEAT TRACE 2" VERTICAL COLD WATER PIPING IN TOWER.
 - PROVIDE ISOLATION VALVES AT EACH BRANCH TAKE-OFF, EACH GROUP OF PLUMBING FIXTURES, AND AT EACH PLUMBING FIXTURE.

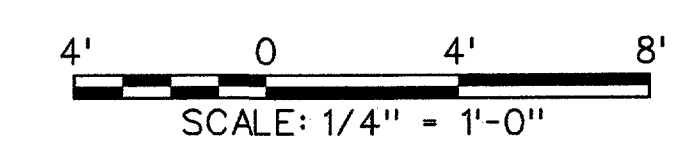


MIDDLE INTERMEDIATE LEVEL

SCALE: 1/4" = 1'-0"
EL = 20'-0"



KEY PLAN



| REV | DATE | DESCRIPTION | JCN | REDLINE DATE | APVD |
|-----|----------|-----------------------------------|---------|--------------|------|
| A | 06-23-03 | FAA REDESIGN FOR HVAC, JON 21874. | 9700164 | 06-23-03 | |

**DEPARTMENT OF TRANSPORTATION
FEDERAL AVIATION ADMINISTRATION
FORT WORTH IMPLEMENTATION CENTER
FORT WORTH, TX**

**LOW ACTIVITY LEVEL ATCT
PLUMBING
FLOOR PLANS
ATCT**

| | | |
|-------------|----------------------------|--------------------------------|
| ADDISON | ADDISON AIRPORT | TX |
| REVIEWED BY | SUBMITTED BY | APPROVED BY |
| | <i>M. Doerr</i> 7/21/03 | <i>Joseph L. White</i> 7/16/03 |
| DESIGNED | PROJECT ENGINEER, ANI-630 | PLATFORM MANAGER, ANI-630 |
| DRAWN | M. DOERR | DATE 06-23-03 JCN 9700164 |
| CHECKED | SLH/LTM | DRAWING NO. ADS-D-ATCT-P004 |
| | NAS IMPLEMENTATION ANI-600 | REV A |

m:\add\active\user-d\atct\p004.dgn
07/17/2003 04:54:25 PM Remm