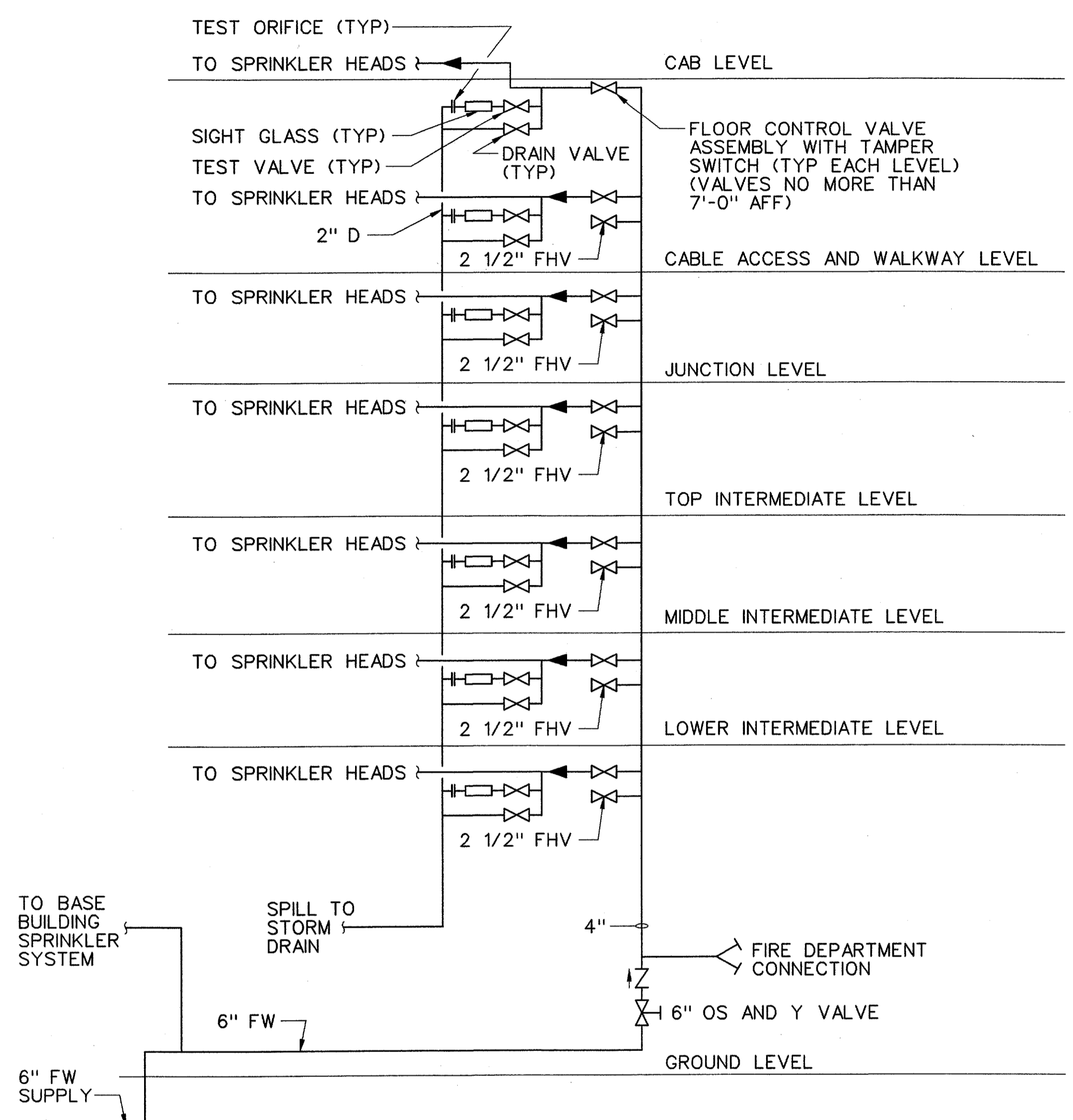


THIS DRAWING PRODUCED ON THE SOUTHWEST REGION MICROSTATION SYSTEM

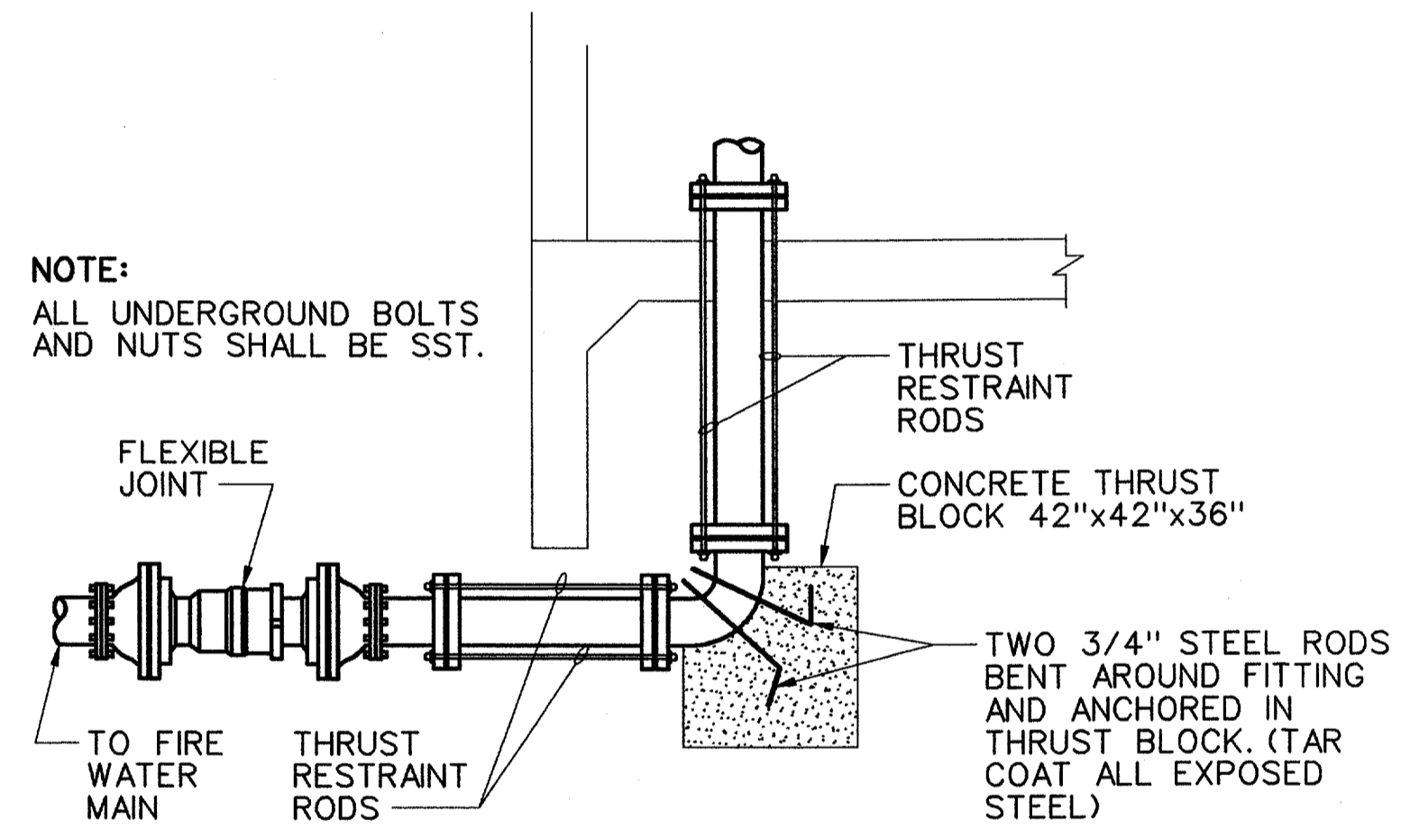
8 | 7 | 6 | 5 | 4 | 3 | 2 | 1

H
G
F
E
D
C
B
A

NOTES:
1. FOR GENERAL NOTES, SEE DRAWING M001.



1 FIRE PROTECTION RISER DIAGRAM
P011 NOT TO SCALE



NOTE:
ALL UNDERGROUND BOLTS
AND NUTS SHALL BE SST.

2 FIRE MAIN ENTRANCE DETAIL
P011 NOT TO SCALE

8 | 7 | 6 | 5 | 4 | 3 | 2 | 1

m:\vada\act\active\ada-d-act-p011.dgn 07/17/2003 04:54:38 PM leaon

REV	DATE	DESCRIPTION	JCN	REDLINE DATE	APVD
A	06-23-03	FAA REDESIGN OF HVAC, JON 21874.	9700164	06-23-03	

**DEPARTMENT OF TRANSPORTATION
FEDERAL AVIATION ADMINISTRATION
FORT WORTH IMPLEMENTATION CENTER FORT WORTH, TX**

**LOW ACTIVITY LEVEL ATCT
FIRE PROTECTION
RISER DIAGRAM AND
DETAILS**

ADDISON ADDISON AIRPORT TX

REVIEWED BY	SUBMITTED BY	APPROVED BY
	<i>M. Doerr</i>	<i>John H. White</i>
DESIGNED	ISSUED BY	DATE
M. DOERR		06-23-03
DRAWN	CHECKED	DRAWING NO.
KS		9700164
NAS IMPLEMENTATION ANI-600		REV
ADS-D-ATCT-P011		A