

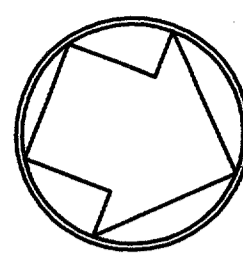
LIGHTING FIXTURE SCHEDULE

DESIG.	DESCRIPTION	MANUFACTURER & CATALOG NO.	VOLTS VA	NO. LAMPS	TYPE	REMARKS
A	2X4, RECESSED FLUORESCENT FIXTURE, AIR HANDLING TROFFER WITH PARABOLIC LOUVERS	COLUMBIA P4-2445-43483-2-PAF* (OR EQUAL)	277 142	4	SYLVANIA FO32/841	32 CELL LOUVERED PARABOLIC FIXTURE WITH SEMI-SPECULAR SILVER FINISH ON LOUVERS, HIGH POWER FACTOR BALLASTS, T8 OCTRON, 32W OCTRON, COOL WHITE (4100K) LAMPS. RFI SUPPRESSION.
A1	2X4, RECESSED FLUORESCENT FIXTURE, AIR HANDLING TROFFER WITH PARABOLIC LOUVERS	COLUMBIA P4-2425-43263-2-PAF* (OR EQUAL)	277 71	2	SYLVANIA FO32/841	12 CELL LOUVERED PARABOLIC FIXTURE WITH SEMI-SPECULAR SILVER FINISH ON LOUVERS, HIGH POWER FACTOR BALLASTS, T8 OCTRON, 32W OCTRON, COOL WHITE (4100K) LAMPS. RFI SUPPRESSION.
A2	18"x 4", SURFACE FLUORESCENT FIXTURE, WITH WRAPAROUND LENS	COLUMBIA WPW240-A (OR EQUAL)	277 71	2	SYLVANIA FO32/841	RFI SUPPRESSION
B	2X2, RECESSED FLUORESCENT FIXTURE, AIR HANDLING TROFFER WITH PARABOLIC LOUVERS	COLUMBIA P4-222US-43-333-2 (OR EQUAL)	277 86	2	SYLVANIA FB032/841/6	9 CELL LOUVERED PARABOLIC FIXTURE WITH SEMI-SPECULAR SILVER FINISH ON LOUVERS. RFI SUPPRESSION. LAY IN GRID.
D	COMPACT FLUORESCENT DOWN LIGHT FIXTURE, BLACK BAFFLE W/ PRISMATIC DIFFUSER	PRESCOLITE PBXTL94-87-277V-HPF (OR EQUAL)	277 40	2	SYLVANIA CF13DS/841	
D1	RECESSED INCANDESCENT DOWN LIGHT HALOGEN CLEAR REFLECTOR W/ LOWER BLACK BAFFLE	PRESCOLITE IDBX-TB16 (OR EQUAL)	120 75	1	R30-75W	PAINT TRIM RING FLAT BLACK
D2	COMPACT FLUORESCENT DOWN LIGHT FIXTURE, SPECULAR CLEAR ALZAK REFLECTOR	PRESCOLITE PBXTO-945-277V (OR EQUAL)	277 40	2	SYLVANIA CF13DS/841	
D3	COMPACT FLUORESCENT SURFACE MOUNTED ROUND DRUM FIXTURE	PRESCOLITE 9458	277 40	2	SYLVANIA CF13DS/841	
E	STEM OR SURFACE MOUNT DUST AND MOISTURE RESISTANT FIXTURE	COLUMBIA LU240-DMR (OR EQUAL)	277 71	2	SYLVANIA FO32/841	SURFACE MOUNT UNLESS NOTED OTHERWISE RFI SUPPRESSION NOTE 1
F1	SIGN HORIZONTAL FLOODLIGHT	KIM LIGHTING AFL1/100MH277-M/BL-P (OR EQUAL)	277 120	1	100W MH	USE ARCHITECTURAL STANCHION MOUNT
FL	FLAG POLE FLOODLIGHT	KIM LIGHTING AFL3/175MH/BL-P +SM18 (OR EQUAL)	277 200	1	175W MH	USE ARCHITECTURAL STANCHION MOUNT
J	7" x 4" WALL MOUNTED FLUORESCENT FIXTURE	COLUMBIA SAMC240-277 +SM18 (OR EQUAL)	277 71	2	SYLVANIA FO32/841	RFI SUPPRESSION NOTE 1
K	WALL SCONCE	BEGA 2928MH (OR EQUAL)	277 80	1	70W MH	FINISH (NOTE 2)
N	ENCLOSED AND GASKETED LUMINAIRE	GE LIGHTING SYST. H7-1-15F-3W-DD (OR EQUAL)	120 150	1	150W INCAN.	WALL MOUNTED WITH WIRE GUARD AND GASKETED FOR NON-HAZARDOUS WET/ UNPROTECTED LOCATIONS.
P	20' PARKING LOT LIGHTING FIXTURE AND POLE	KIM 1A/ET3/250 MH277/BL-P, TYPE II, III, OR IV AS INDICATED ON PLAN (OR EQUAL)	277 290	1	250W MH	MOUNT ON 20' POWDER COATED GALVANIZED STEEL POLE (NOTE 2)
R	OBSTRUCTION LIGHT	CROUSE-HINDS 50021-116-GR (OR EQUAL)	120 230	2	CROUSE HINDS 115W LAMP INCLUDED.	DUAL MOUNTED OBSTRUCTION LIGHTS
X	EXIT LIGHT	PRESCOLITE PEXLRW-EN-W	277 2	—	—	LED TYPE EXIT LIGHT - RED LETTERS ON WHITE FACE. BATTERY BACKUP.
X1	EMERGENCY LIGHT	PRESCOLITE ELB2	277 10	2	7W INCAND.	LEAD CALCIUM MAINTENANCE-FREE BATTERY.
TL	120V TRACK, WITH (3) LOW VOLTAGE TRACK SPOT LIGHTS AND FRAMING PROJECTORS	JUNO #T398BL FIXTURE AND FRAMING PROJECTOR JUNO #T538BL POWER PACK	120 150	3	50W/MR 16	ADJUSTABLE SPOT LIGHT MATTE BLACK FINISH. ONE CIRCUIT/SURFACE MOUNT TRACK/BLACK
S	RECESSED AISLE LIGHT	PRESCOLITE ALCF-4	277	1	SYLVANIA F9TT	MOUNT 18" ABOVE STEP
A3	2 x 4 RECESSED FLUORESCENT FIXTURE WITH ACRYLIC LENS	COLUMBIA 4PS2G-52-244-277	277 142	4	SYLVANIA FO32/841	RFI SUPPRESSION SLOT GRID
M	MODULAR FLUORESCENT FIXTURE	LITHONIA #M232-A12-277	277 71	2	SYLVANIA FO32/841	SURFACE MOUNT

NOTES:

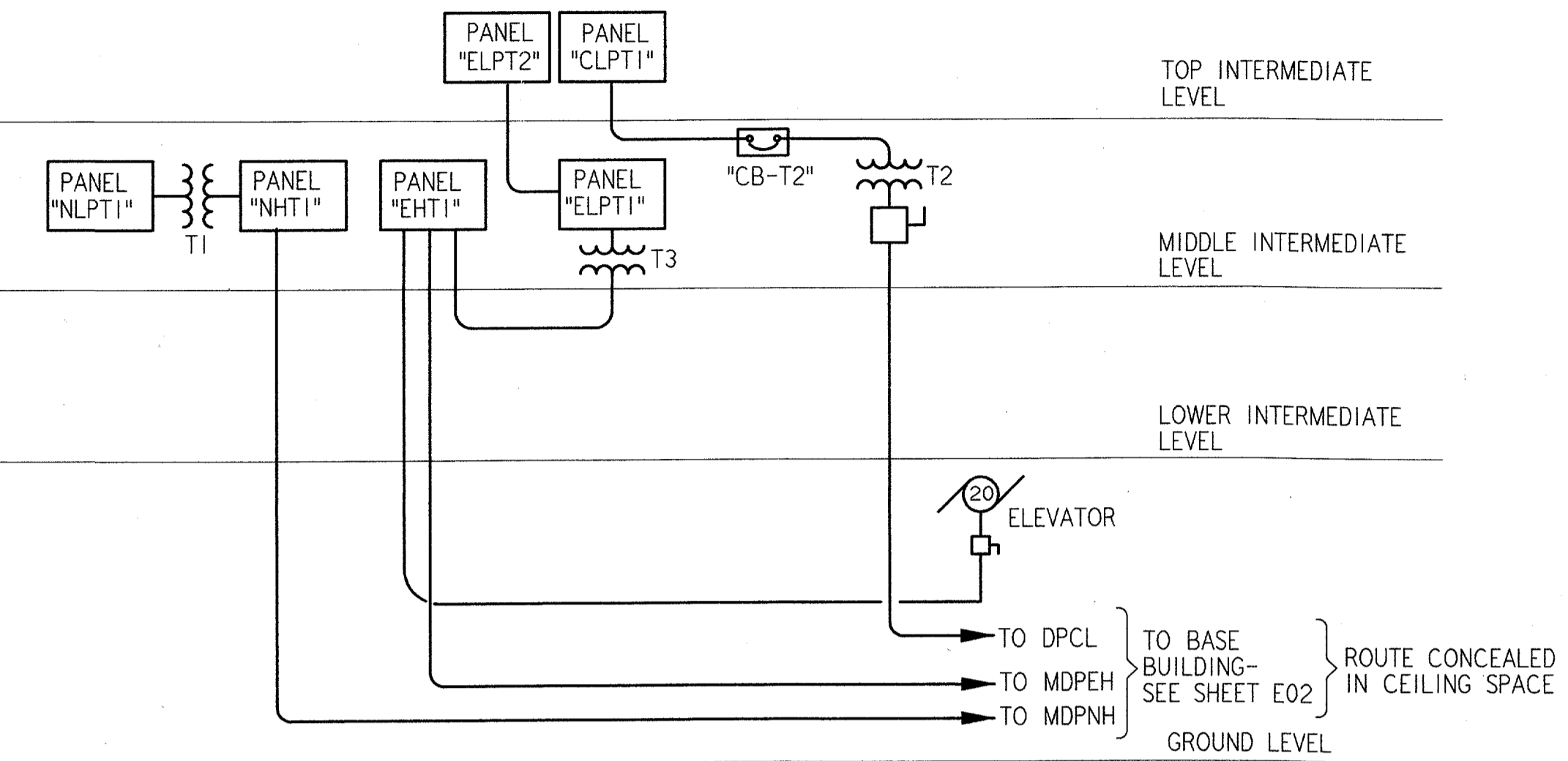
- * PAF - PAINT AFTER FABRICATION
- ** EO - ELECTRONIC BALLAST OCTRON LAMP

1. PROVIDE LOW TEMPERATURE BALLASTS FOR FIXTURES IN STAIRWAY.
2. KYNAR 500 CHAMPAGNE



H
G
E
E
D
C
B
A

CAB ROOF LEVEL
CAB LEVEL
CABLE ACCESS LEVEL
JUNCTION LEVEL
TOP INTERMEDIATE LEVEL
MIDDLE INTERMEDIATE LEVEL
LOWER INTERMEDIATE LEVEL
GROUND LEVEL



TOWER POWER RISER DIAGRAM

DESCRIPTION		BREAKER POLE AMP	VOLT AMPS			CIRCUIT NO.	BUS CONN.	VOLT AMPS			BREAKER POLE AMP	DESCRIPTION
			A	B	C			A	B	C		
SPARE		20				1	2				20	SPARE
SPARE		20				3	4				20	SPARE
SPARE		20				5	6				20	SPARE
SPARE		20				7	8				20	SPARE
SPARE		20				9	10				20	SPARE
SPARE		20				11	12				20	SPARE
SPARE		20				13	14				20	SPARE
SPARE		20				15	16				20	SPARE
SPARE		20				17	18				20	SPARE
SPARE		20				19	20				20	SPARE
SPARE		20				21	22				20	SPARE
SPARE		20				23	24				20	SPARE
SPARE		20				25	26				20	SPARE
SPARE		20				27	28				20	SPARE
SPARE		20				29	30				20	SPARE
TOTALS												
BUS A	VA							MAIN (BREAKER) (LUGS) MLO				
BUS B	VA							CONNECTED LINE AMPS.				
BUS C	VA							KVA DEMAND			AMPS DEMAND	
TOTAL	VA											

DALLAS, TX

DEPARTMENT OF TRANSPORTATION
FEDERAL AVIATION ADMINISTRATION
SOUTHWEST REGION FORT WORTH, TEXAS

LOW ACTIVITY LEVEL
AIRPORT TRAFFIC CONTROL TOWER

POWER RISER DIAGRAMS
AND FIXTURE SCHEDULE

ADDISON (ADDISON AIRPORT) TEXAS

DESIGNED: A. SMITH
REVIEWED: B. EISENRICH
ORIG. DFT.: R. RUTGER
FACILITY:

ISSUED BY
AIRWAY FACILITIES
DIVISION

DATE: 06-22-01
DRAWING NUMBER:
ADS-ATCT- E03

E03