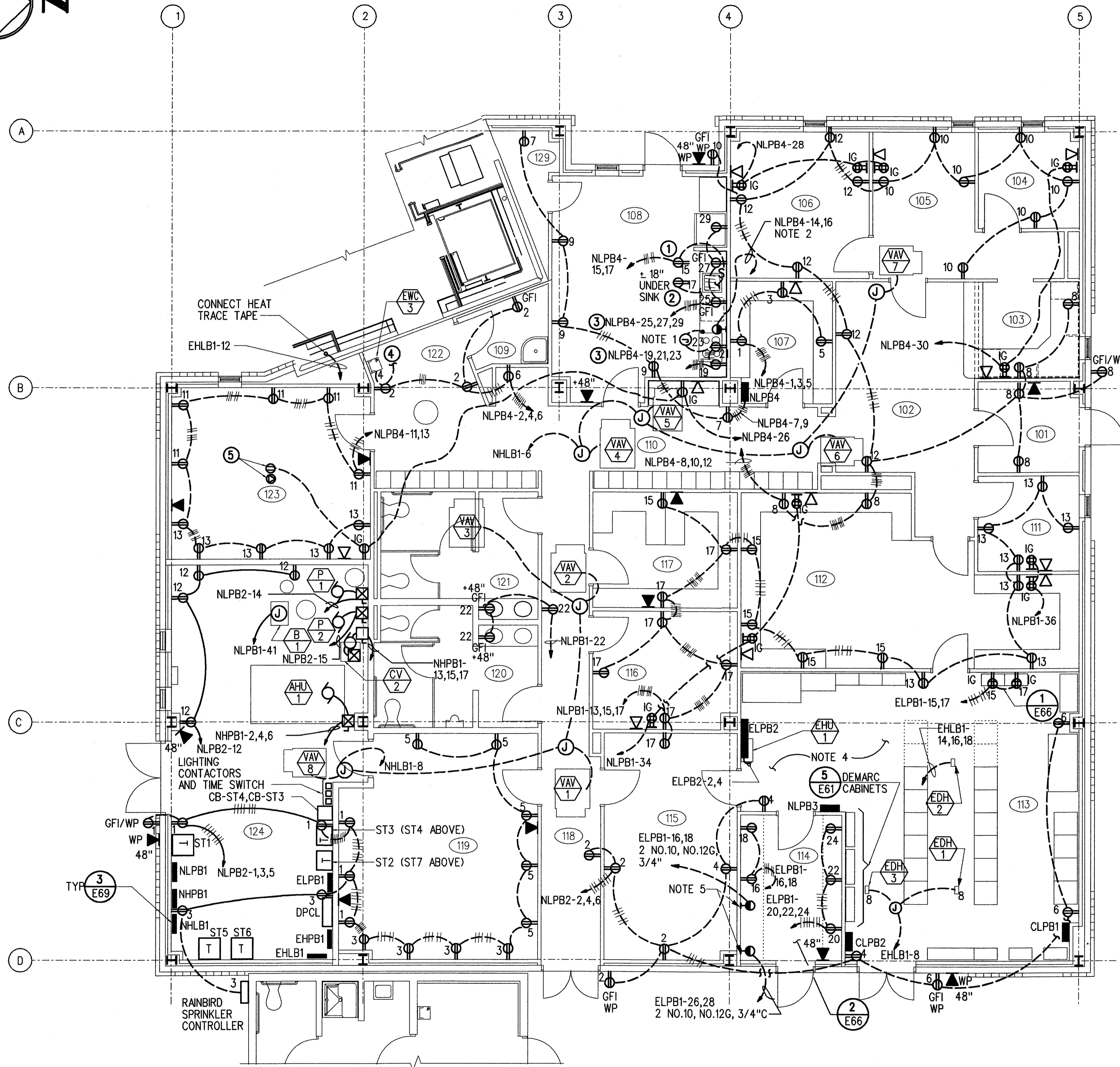
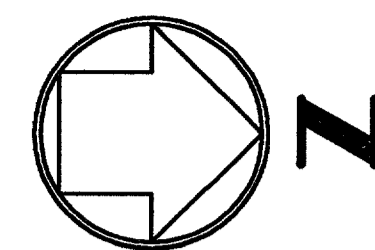


THIS DRAWING PRODUCED ON THE SOUTHWEST REGION MICROSTATION SYSTEM

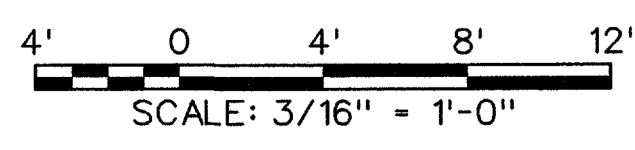
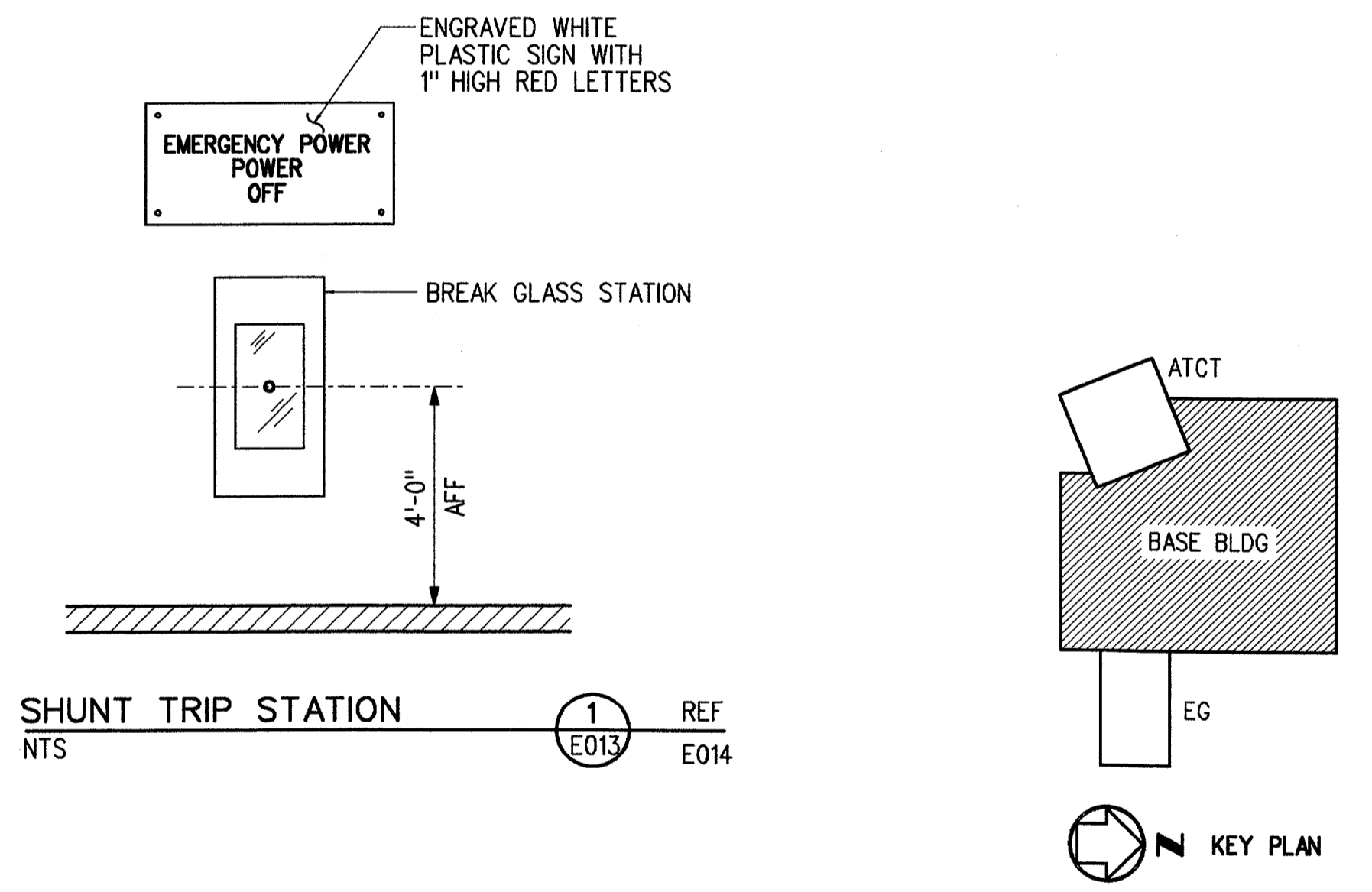


**FLOOR PLAN BASE BUILDING**  
SCALE: 3/16" = 1'-0"

ROOM SCHEDULE	
RM NO.	ROOM NAME
101	VESTIBULE
102	LOBBY
103	RECEPTION
104	AT OFFICE
105	QATS
106	TOWER MANAGER
107	MAIL/FAX/COPY ROOM
108	BREAKROOM
109	STORAGE
110	CORRIDOR
111	AF OFFICE
112	RMM/LIS/MMS ROOM
113	ELECTRONIC ROOM
114	TELECOM
115	MATERIAL STORAGE
116	AT/AR/CBI TRAINING RM
117	AT/AF STORAGE
118	CORRIDOR
119	ESU SHOP
120	MEN'S TOILET
121	WOMEN'S TOILET
122	LINK
123	AT/AF CONFERENCE RM
124	MECH/ELEC ROOM
125	TOILET/SHOWER
126	E/G ROOM
129	CABLE ACCESS ROOM

- NOTES:**
- FOR CONDUIT, WIRE AND DISCONNECTING MEANS SIZES FOR EQUIPMENT, SEE DRAWING E041.
  - 50A, 250V, 1PHASE, 3 WIRE PLUS GROUND RECEPTACLE FOR RANGE. 1" C, 3 NO. 6, AND 1 NO. 10 GROUND. CONNECT RANGE.
  - PROVIDE SEPARATE NEUTRAL PER PHASE FOR EACH GENERAL PURPOSE RECEPTACLE CIRCUIT
  - FOR UNDER FLOOR CABLE TRAY AND SQUARE DUCT, SEE DRAWING E014.
  - 250V, 1PHASE, 3 WIRE, NEMA L6-30R RECEPTACLE

- SPECIAL NOTES:**
- CABINET MOUNTED MICROWAVE. COORDINATE EXACT LOCATION.
  - RECEPTACLE UNDER SINK FOR GARBAGE DISPOSAL. PROVIDE SWITCH AT +12" ABOVE COUNTER TO CONTROL HALF OF RECEPTACLE. OTHER HALF TO REMAIN ENERGIZED (CONNECT DISHWASHER).
  - MOUNT RECEPTACLE +12" ABOVE COUNTER.
  - UP TO RECEPTACLE ABOVE, SEE DRAWING E024.
  - FLUSH FLOOR OUTLET.



A	06-23-03	FAA REDESIGN FOR HVAC, JON 21874.	9700164	06-23-03	
REV	DATE	DESCRIPTION	JCN	REDLINE DATE	APVD
DEPARTMENT OF TRANSPORTATION <b>FEDERAL AVIATION ADMINISTRATION</b> FORT WORTH IMPLEMENTATION CENTER FORT WORTH, TX LOW ACTIVITY LEVEL ATCT POWER PLAN BASE-EG BUILDING					
ADDISON	ADDISON AIRPORT		TX		
REVIEWED BY	SUBMITTED BY	APPROVED BY			
	<i>M.A. Lebeck</i> 7/10/03	<i>Johnnie L. White</i> 7/10/03			
DESIGNED	PROJECT ENGINEER, ANI-630	DATE	PLATFORM MANAGER, ANI-630		
DRAWN	M. DOERR	ISSUED BY		DATE	06-23-03
CHECKED	RR/LB	NAS IMPLEMENTATION ANI-600	DRAWING NO.	9700164	REV
			ADS-D-ATCT-E013		A

m:\vada\atct\vector\addis-d-act-e013.dgn  
07/17/2003 04:53:18 PM krom