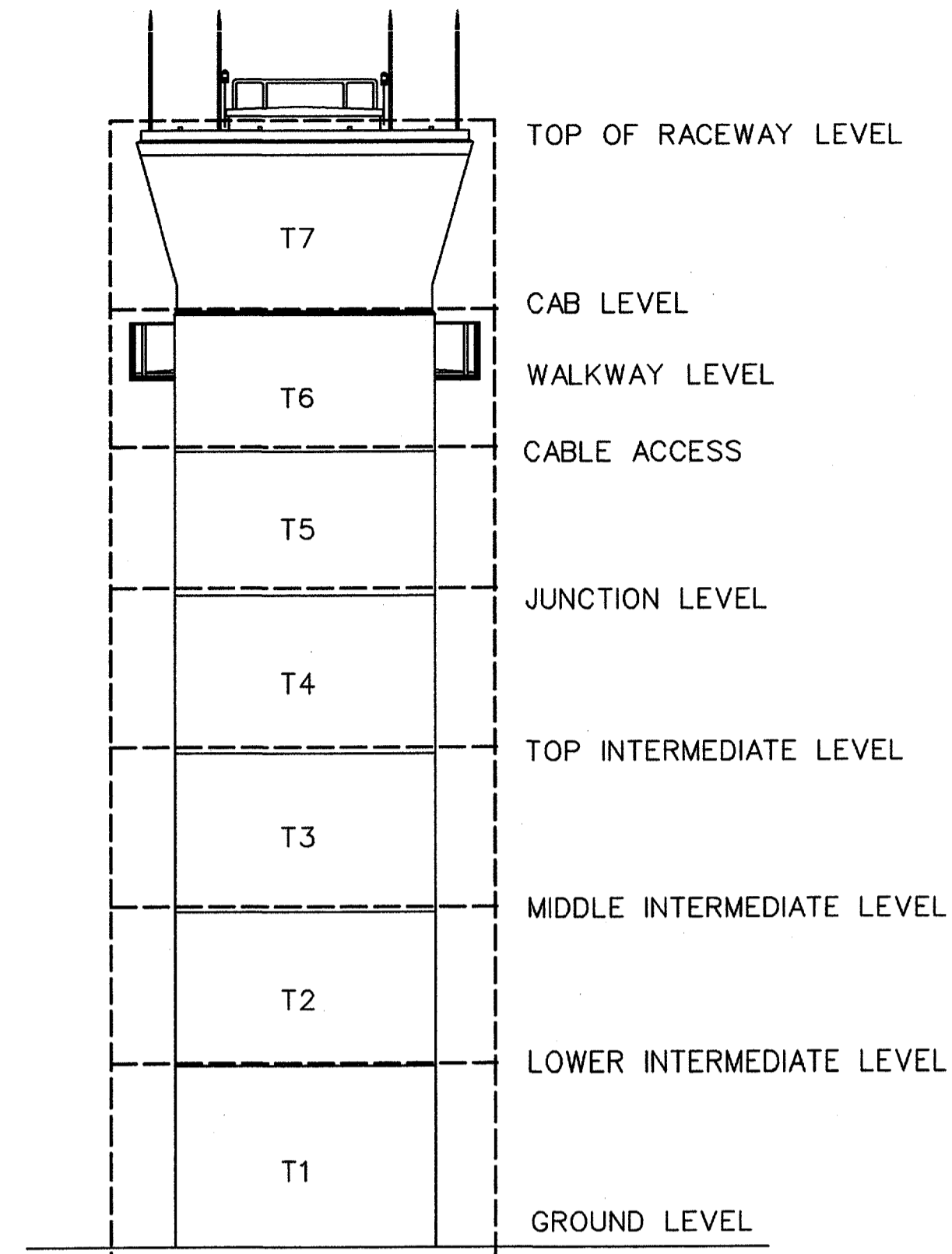
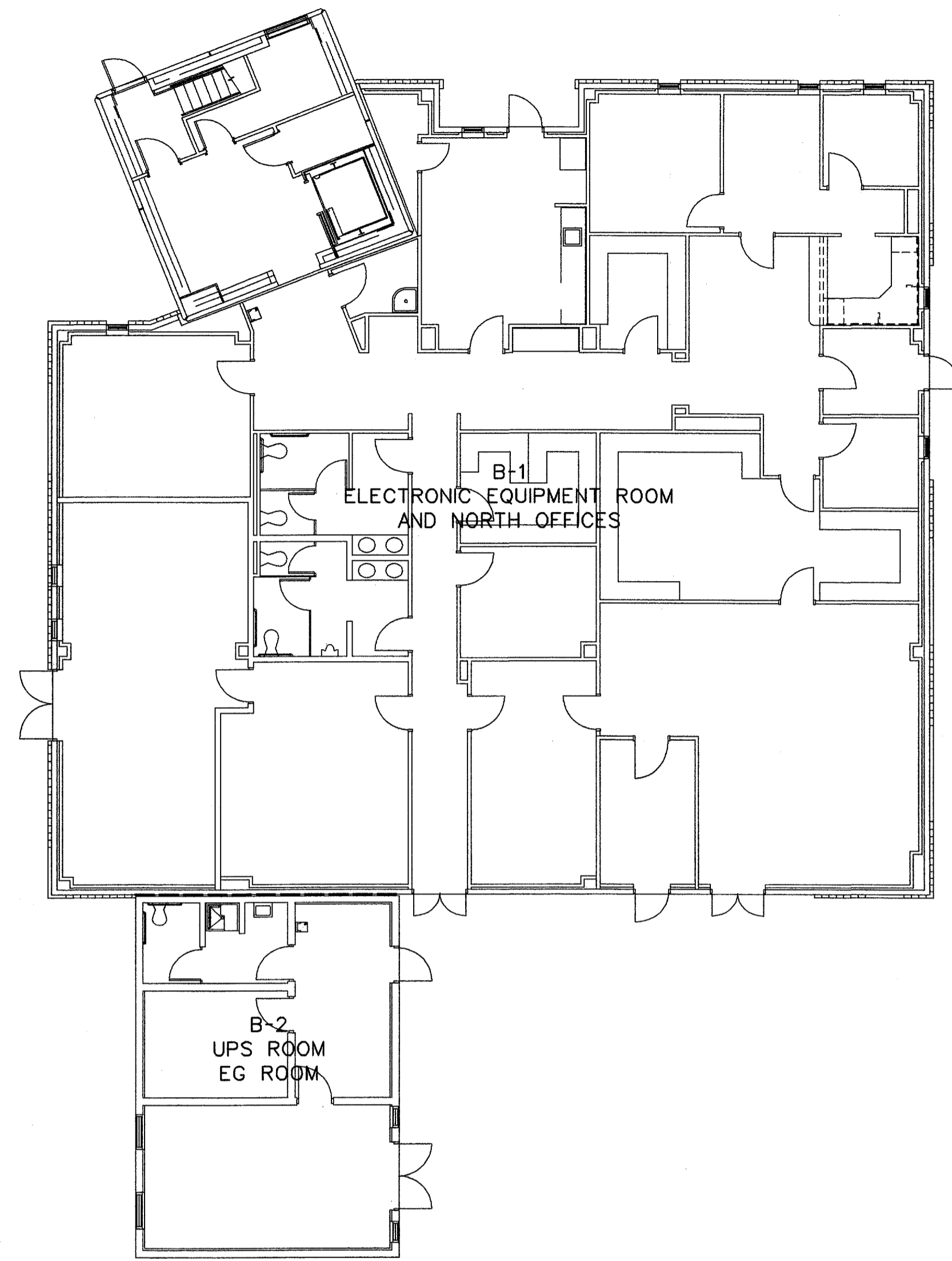
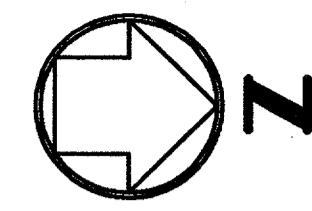
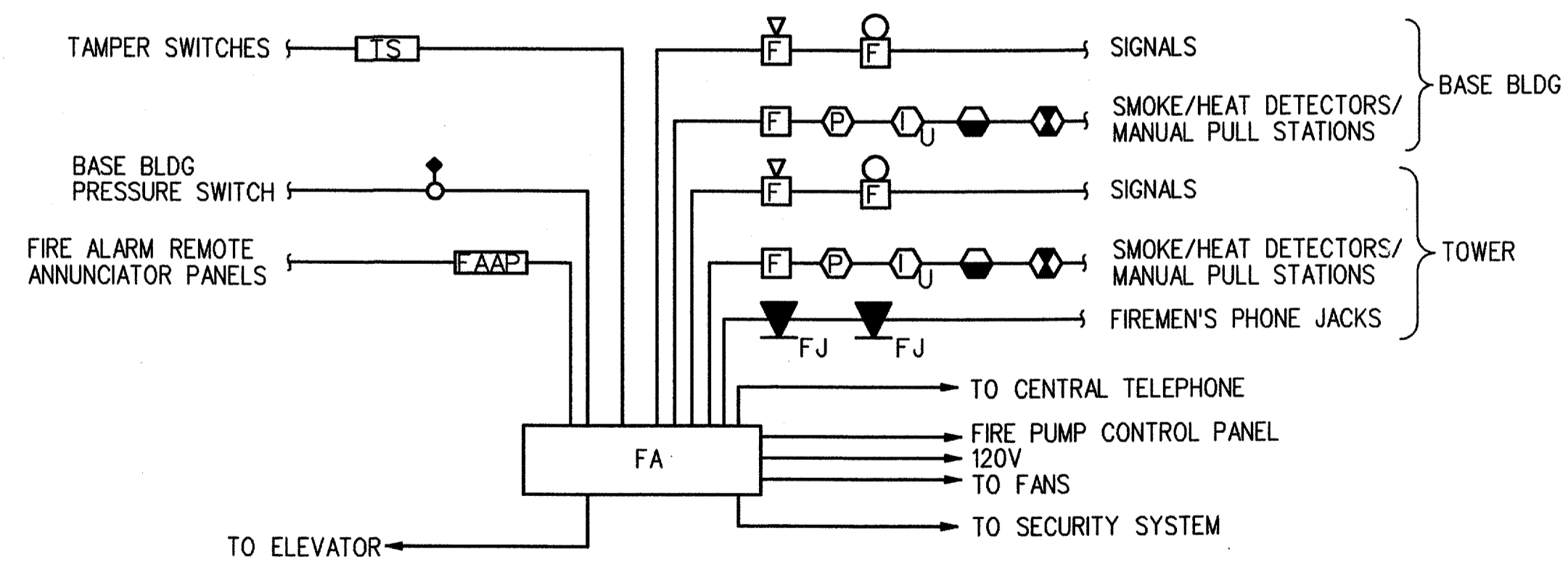
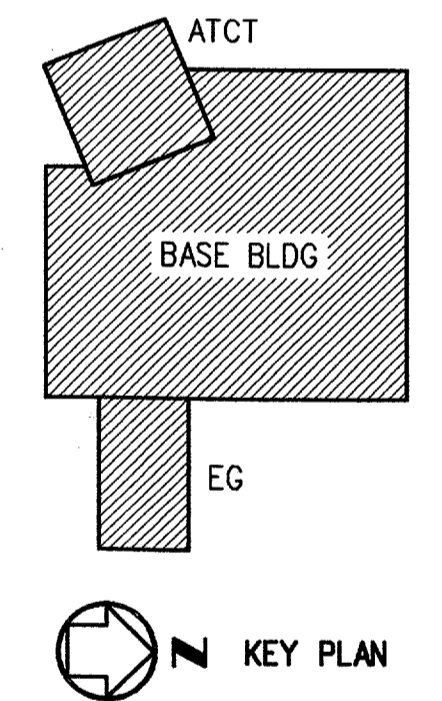


THIS DRAWING PRODUCED ON THE SOUTHWEST REGION MICROSTATION SYSTEM



TOWER



FIRE ALARM RISER DIAGRAM
NTS

NOTE:
TYPICAL DIAGRAM ONLY.
SEE PLAN DRAWINGS FOR EXACT NUMBER
AND LOCATIONS OF FIRE ALARM SYSTEM DEVICES.

REV	DATE	DESCRIPTION	JCN	REDLINE DATE	APVD
A	06-23-03	FAA REDESIGN FOR HVAC, JON 21874.	9700164	06-23-03	

**DEPARTMENT OF TRANSPORTATION
FEDERAL AVIATION ADMINISTRATION
FORT WORTH IMPLEMENTATION CENTER FORT WORTH, TX**

LOW ACTIVITY LEVEL ATCT

FIRE ALARM ZONE DIAGRAM

ADDISON	ADDISON AIRPORT	TX
REVIEWED BY	SUBMITTED BY	APPROVED BY
	<i>M. A. Lebeck</i> 7/18/03	<i>Johnnie L. White</i> 7/18/03
PROJECT ENGINEER, ANI-630	ISSUED BY	PLATFORM MANAGER, ANI-630
DESIGNED	M. DOERR	DATE
DRAWN	SLH/LB	NAS IMPLEMENTATION ANI-600
CHECKED		DRAWING NO. 9700164
		REV. ADS-D-ATCT-E016

m:\08\atct\active\ads-d-atct-e016-a.dgn
07/17/2003 05:04:50 PM ksom