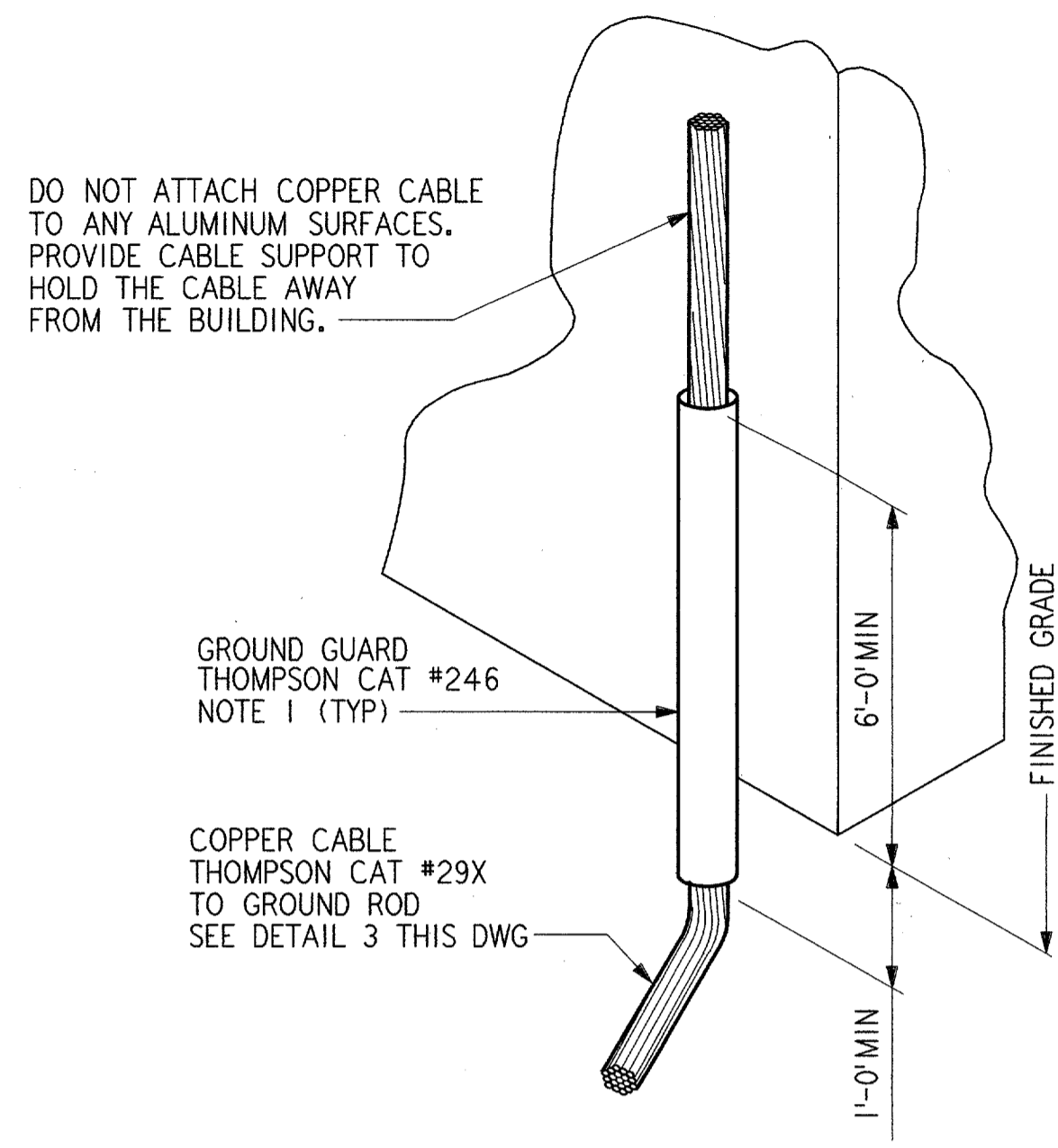
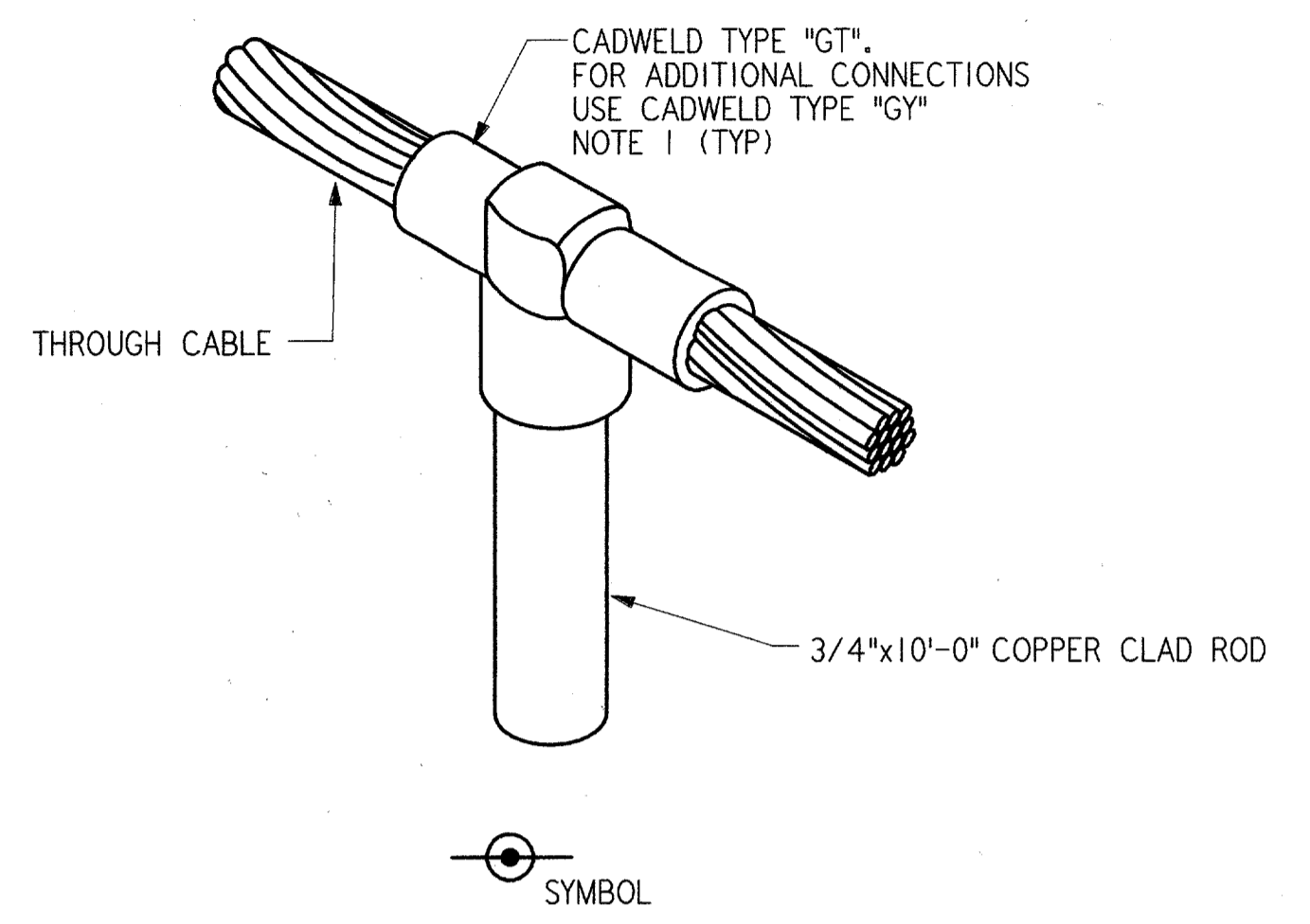


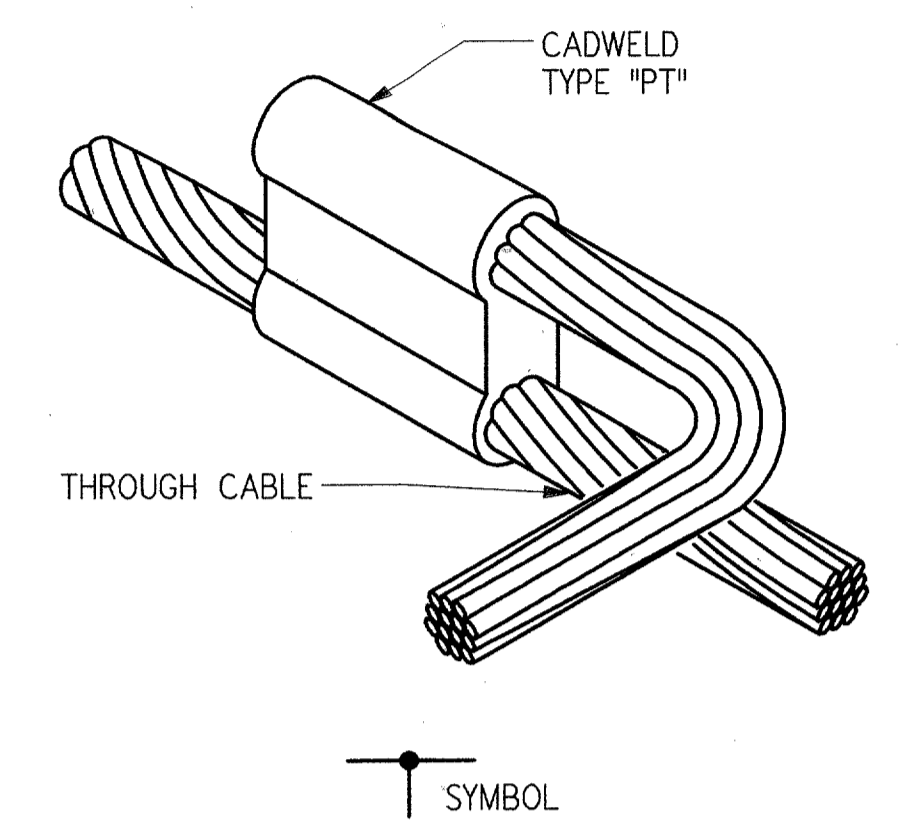
H
G
F
E
D
C
B
A



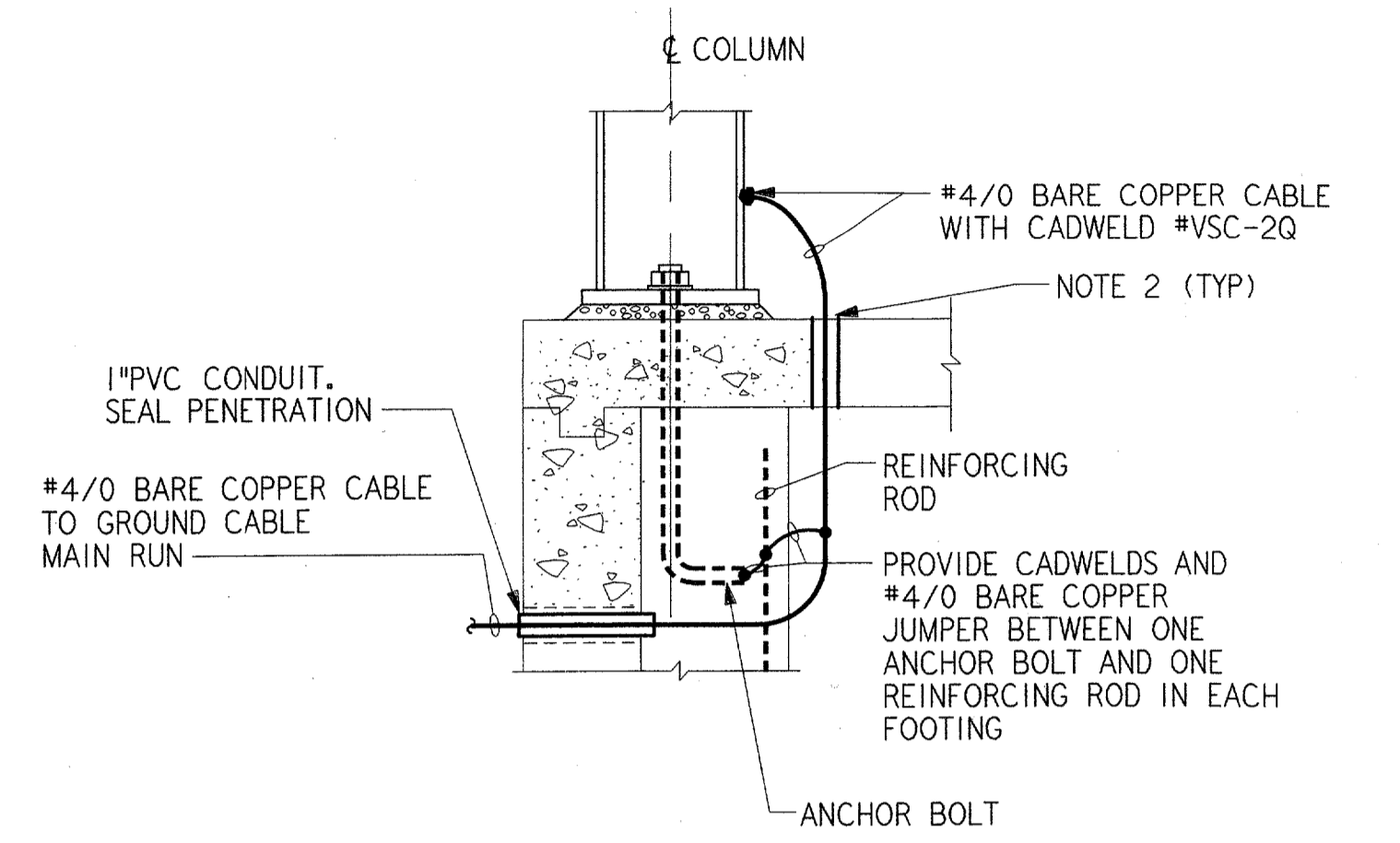
DETAIL 1 REF
NTS E62 E31



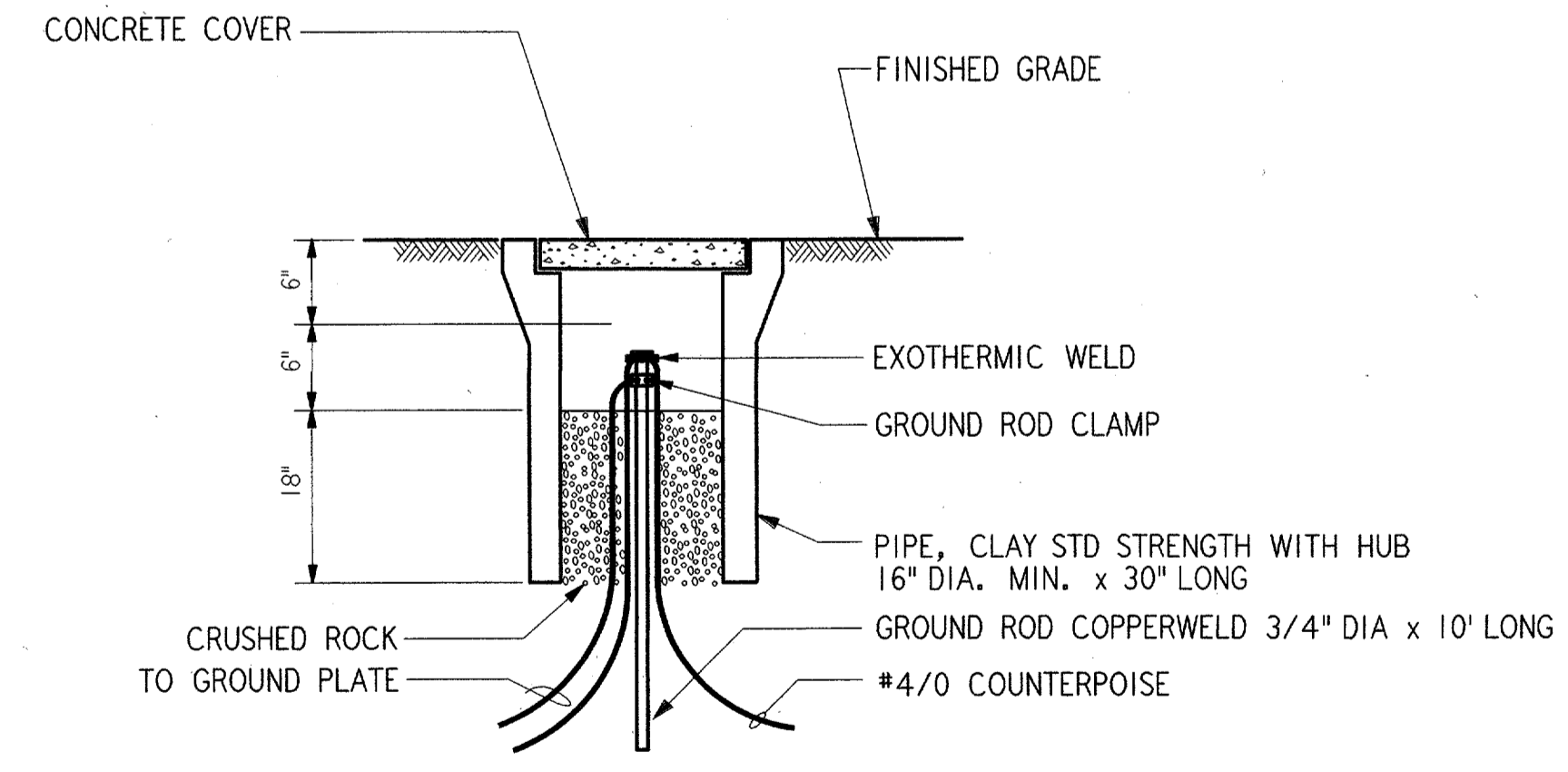
GROUND ROD DETAIL 2 REF
NTS E62 E31 E69



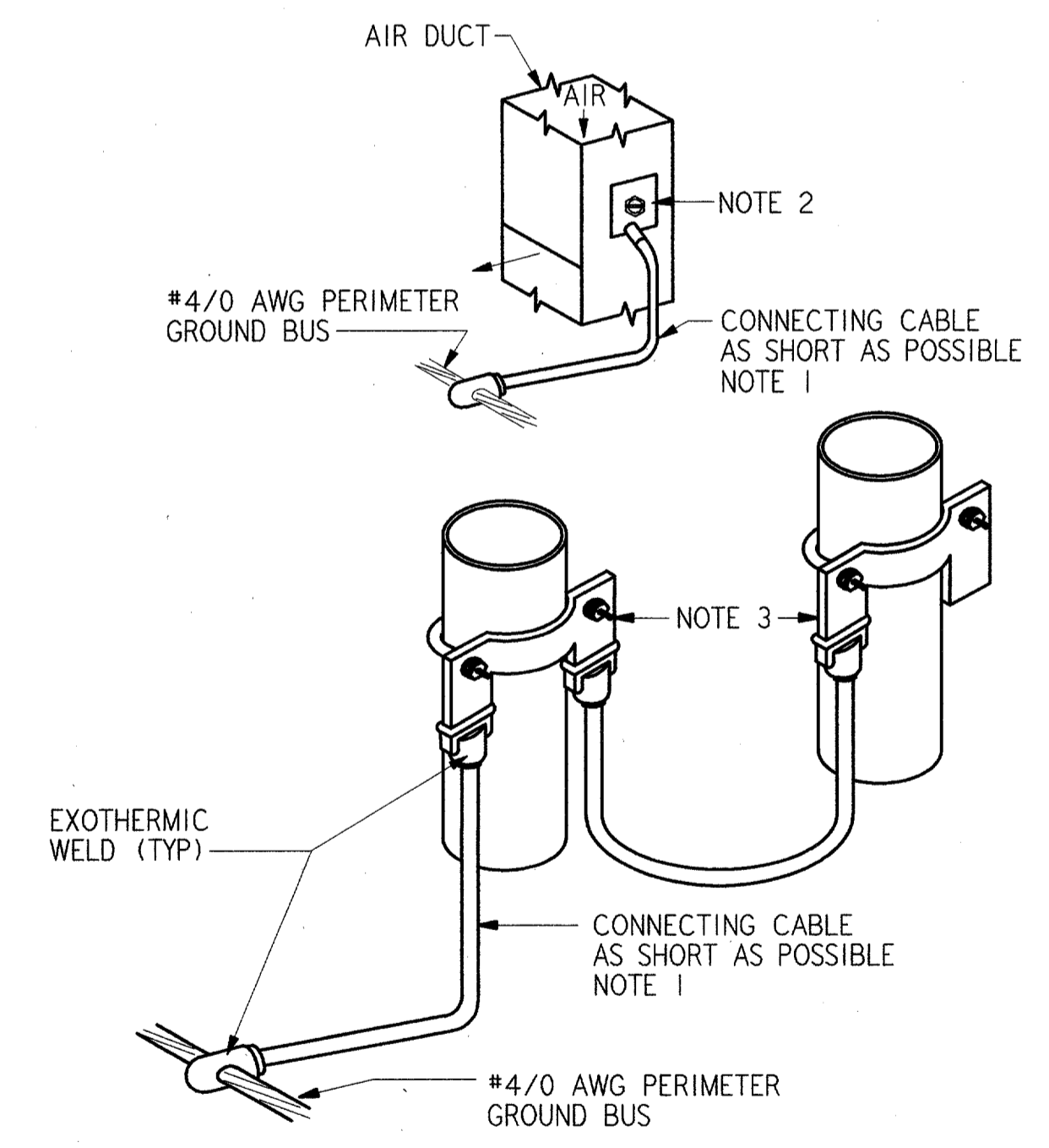
DETAIL 3 REF
NTS E62 E31



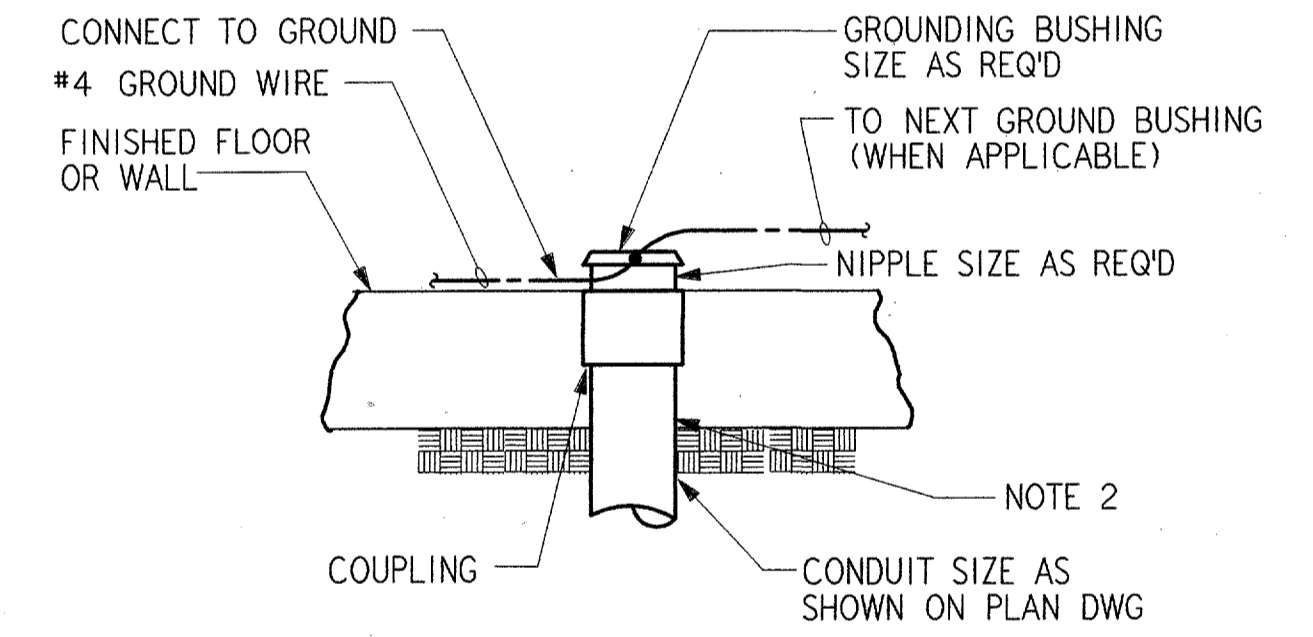
DETAIL 4 REF
NTS E62 E32



ACCESS WELL DETAIL 5 REF
NTS E62 E31



NOTES:
1. #6 AWG GREEN WITH ORANGE TRACER INSULATED COPPER CABLE BONDED TO PERIMETER GROUND BUS AND GROUND LUG VIA EXOTHERMIC WELD.
2. ONE HOLE COPPER GROUND LUG. TREAT CONTACT SURFACE WITH AN OXIDE INHIBITING CONDUCTIVE GREASE.
3. PIPE CLAMP TO BE SIZED TO THE PIPE DIAMETER AND ALL BOLTED CONTACT SURFACES TO BE TREATED WITH AN OXIDE INHIBITING CONDUCTIVE GREASE.
GROUND CONNECTION TO MECHANICAL EQUIPMENT 6 REF
NTS E62 E32



TYPICAL CONDUIT STUB-UP BONDING DETAIL 7 REF
NTS E62 E32

GENERAL NOTES:
1. CADWELD OR THOMPSON CATALOG NUMBERS ARE INDICATIVE OF TYPE OR APPROVED EQUAL.
2. ALL CONDUITS AND SLEEVES PENETRATING FLOORS SHALL BE INSTALLED USING WATERPROOFING TREATMENT AND MATERIALS TO PREVENT MOISTURE SEEPAGE PAST THE CONDUIT OR SEAL.

				DEPARTMENT OF TRANSPORTATION FEDERAL AVIATION ADMINISTRATION SOUTHWEST REGION FORT WORTH, TEXAS LOW ACTIVITY LEVEL AIRPORT TRAFFIC CONTROL TOWER GROUNDING AND LIGHTNING PROTECTION DETAILS	
ADDISON (ADDISON AIRPORT) TEXAS SUBMITTED BY: <i>[Signature]</i> 10/15/14 SYSTEM ENGINEER, ANI-630 APPROVED BY: <i>[Signature]</i> 10/15/14 MANAGER, INFRASTRUCTURE PLATFORM, ANI-630		ISSUED BY: AIRWAY FACILITIES DIVISION DATE: 06-22-01 DRAWING NUMBER: ADS-ATCT-E62		E62	

H
G
F
E
D
C
B
A
FILENAME: