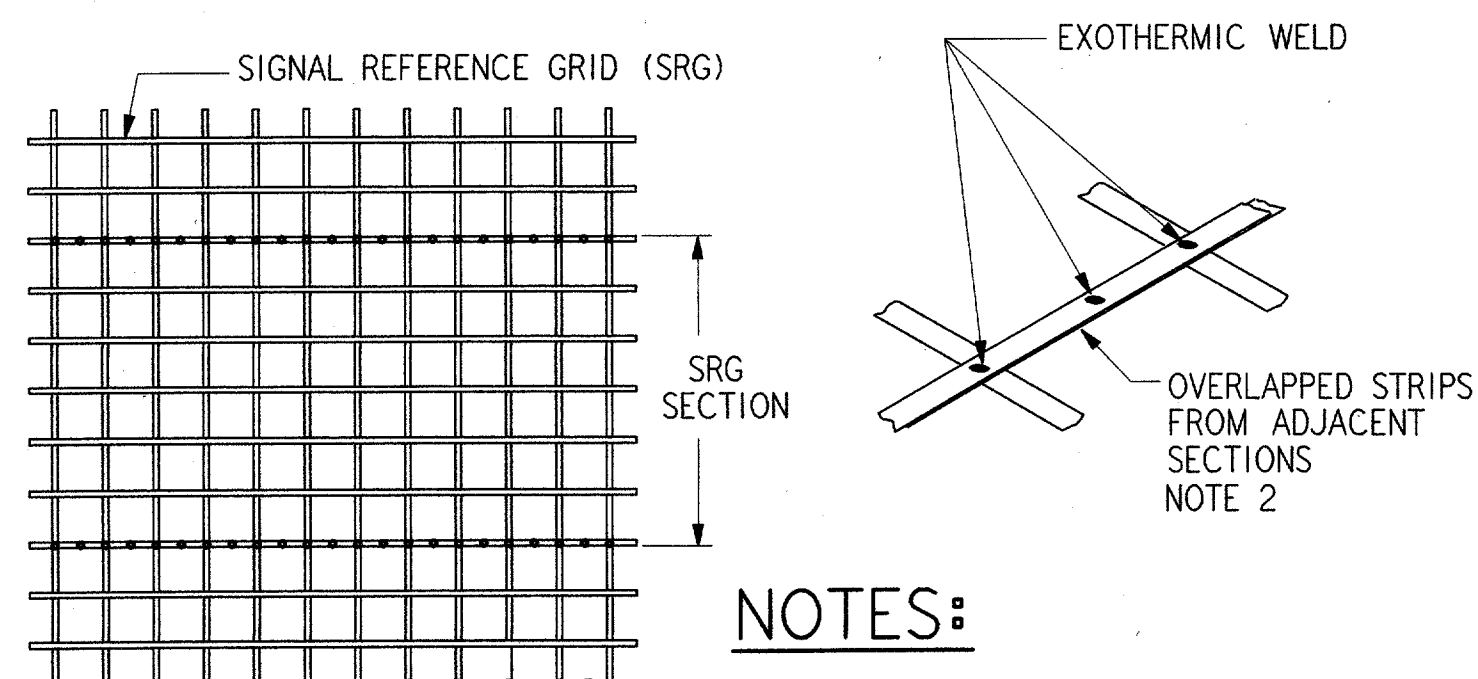


NOTES: ELEVATION E1 E63

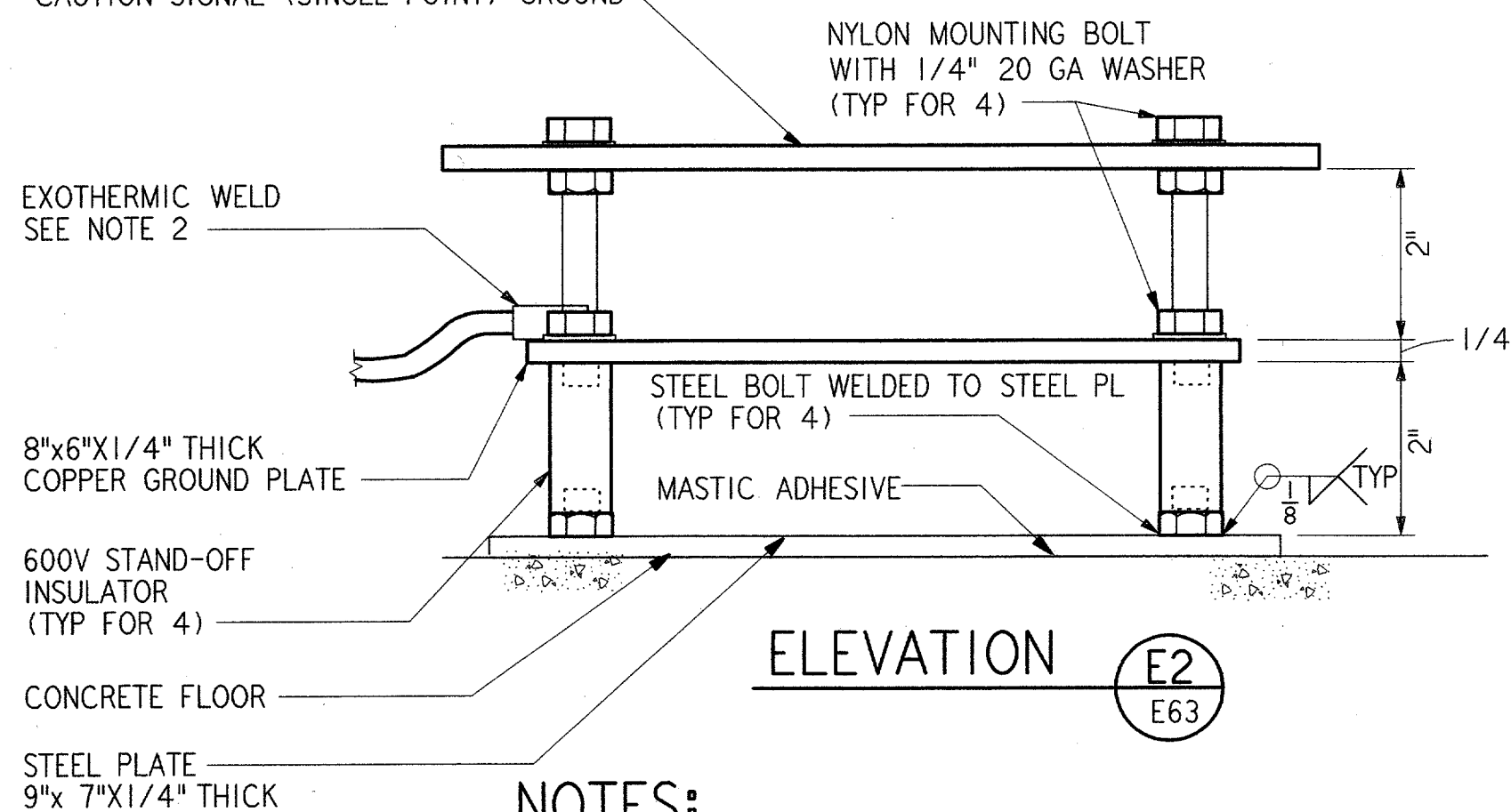
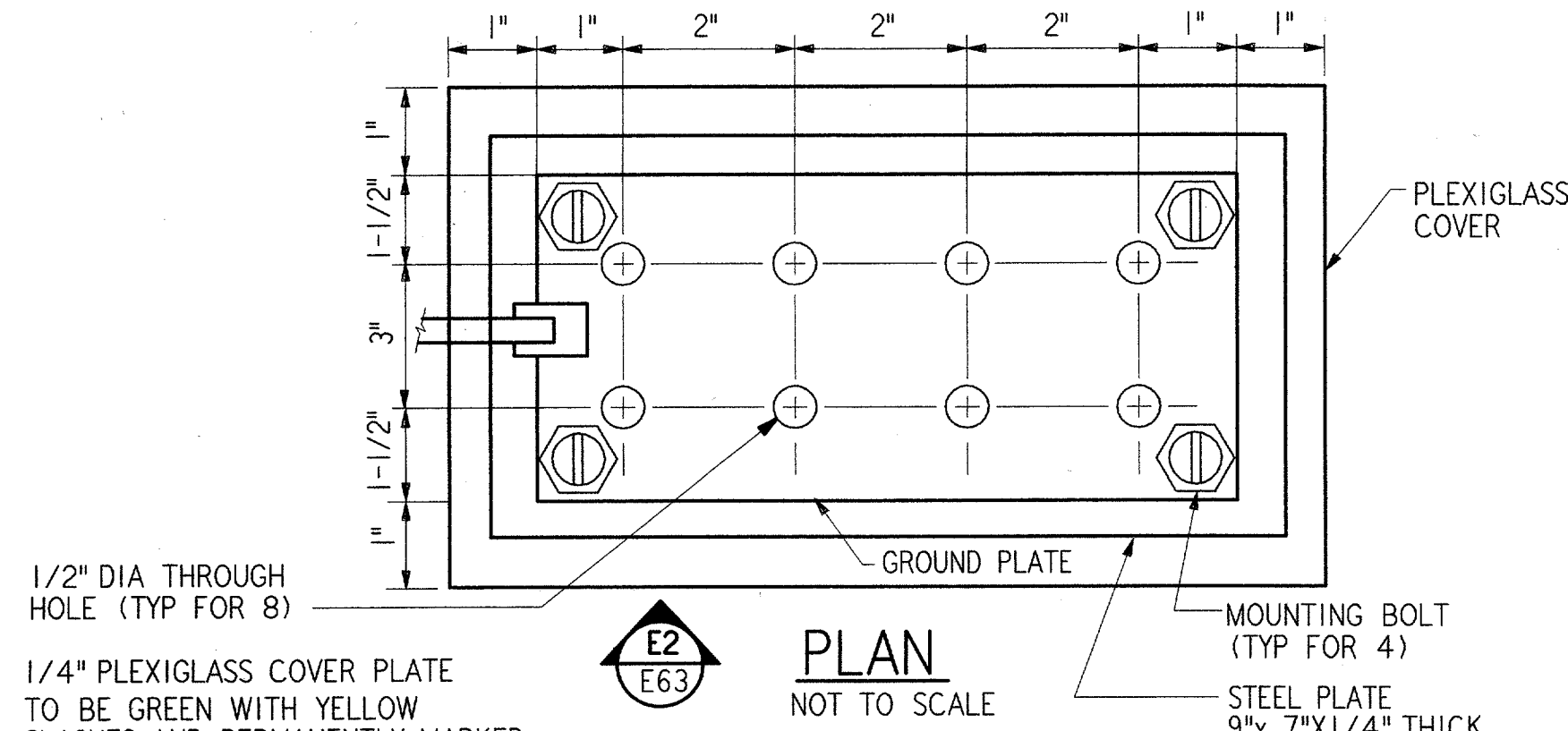
1. REMOVE ALL BURRS AND SHARP EDGES.
2. GROUND CABLE IS SHOWN ON ONE END OF GROUND PLATE. INSTALL CABLE ON BOTH ENDS OF GROUND PLATE WHEN SHOWN ON PLANS OR RISER DIAGRAM.

MULTIPPOINT GROUND PLATE DETAIL 1 REF E63 E32 NTS



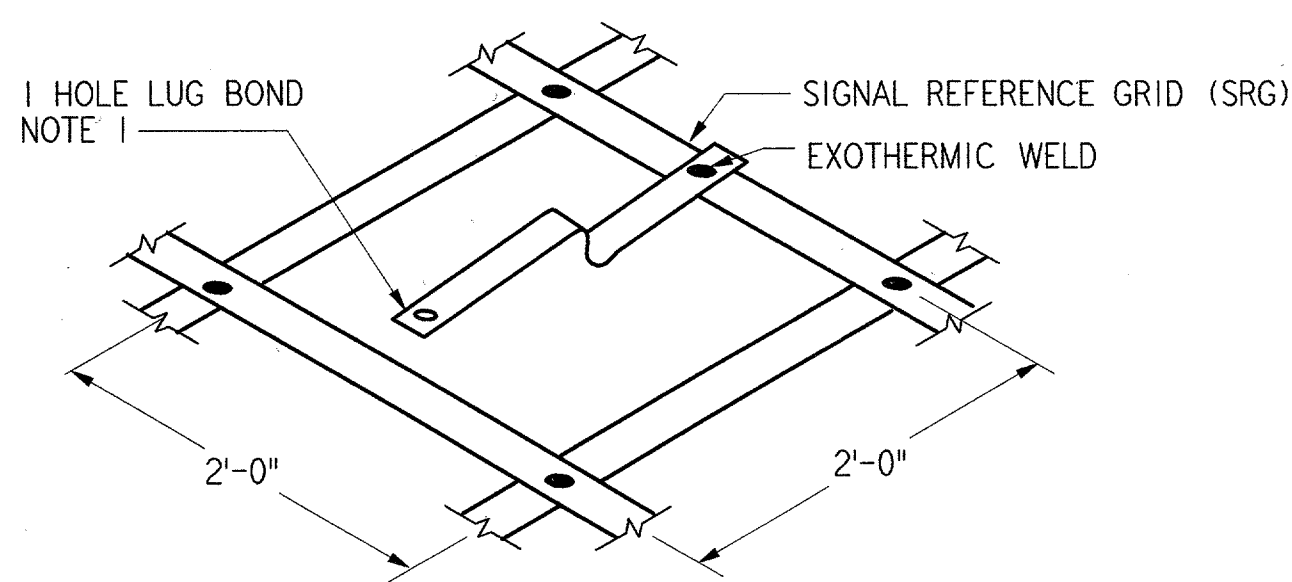
- NOTES:
1. SEE SPECIFICATION FOR ADDITIONAL INFORMATION.
 2. WHERE ONE ROLL OF GRID IS LAID NEXT TO ANOTHER, THE OUTER EDGES OF THE ROLLS SHALL OVERLAP TO FORM A SINGLE STRIP AND SHALL BE EXOTHERMICALLY WELDED TOGETHER AT 1 FOOT INTERVALS.

SRG GRID TO GRID CONNECTION 3 REF E63 E32 NTS



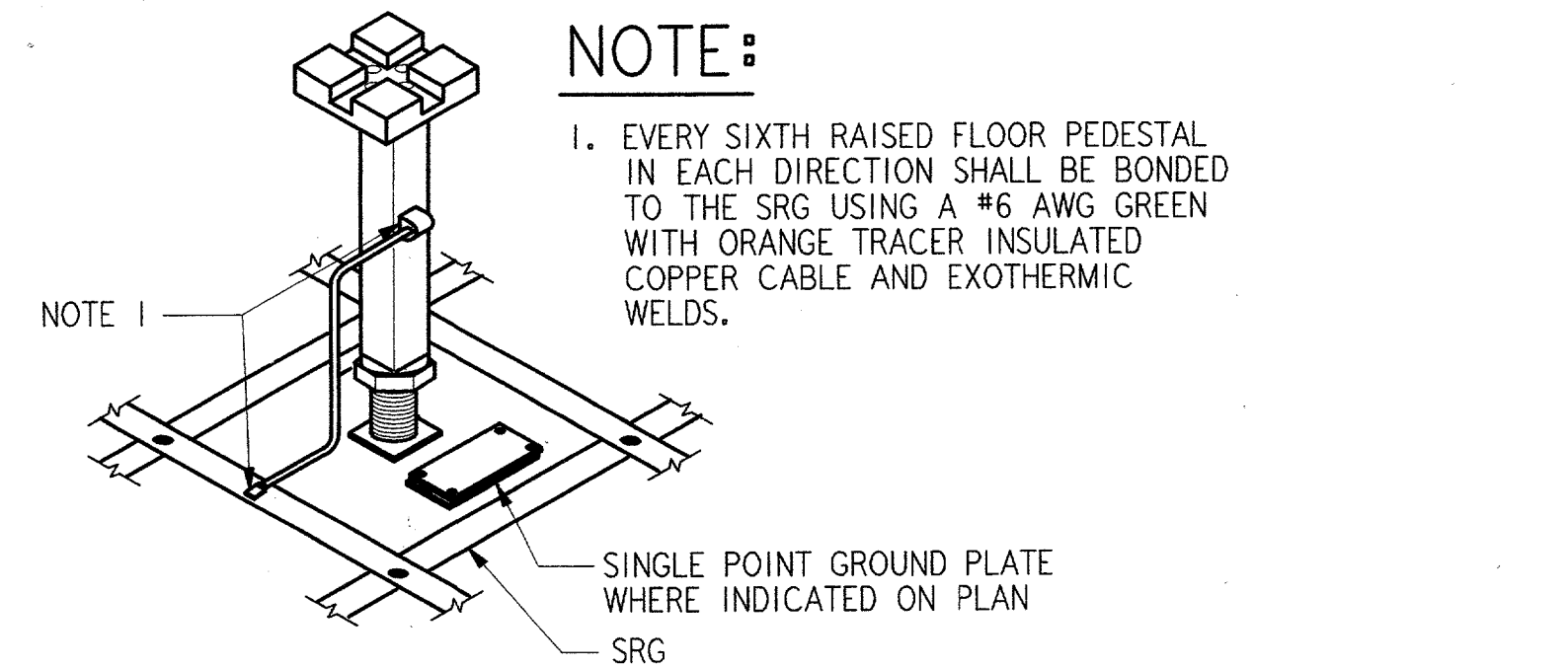
- NOTES:
1. REMOVE ALL BURRS AND SHARP EDGES.
 2. GROUND CABLE IS SHOWN ON ONE END OF GROUND PLATE. INSTALL CABLE ON BOTH ENDS OF GROUND PLATE WHEN SHOWN ON PLANS OR RISER DIAGRAM.

SIGNAL (SINGLE POINT) GROUND PLATE 2 REF E63 E32 NOT TO SCALE

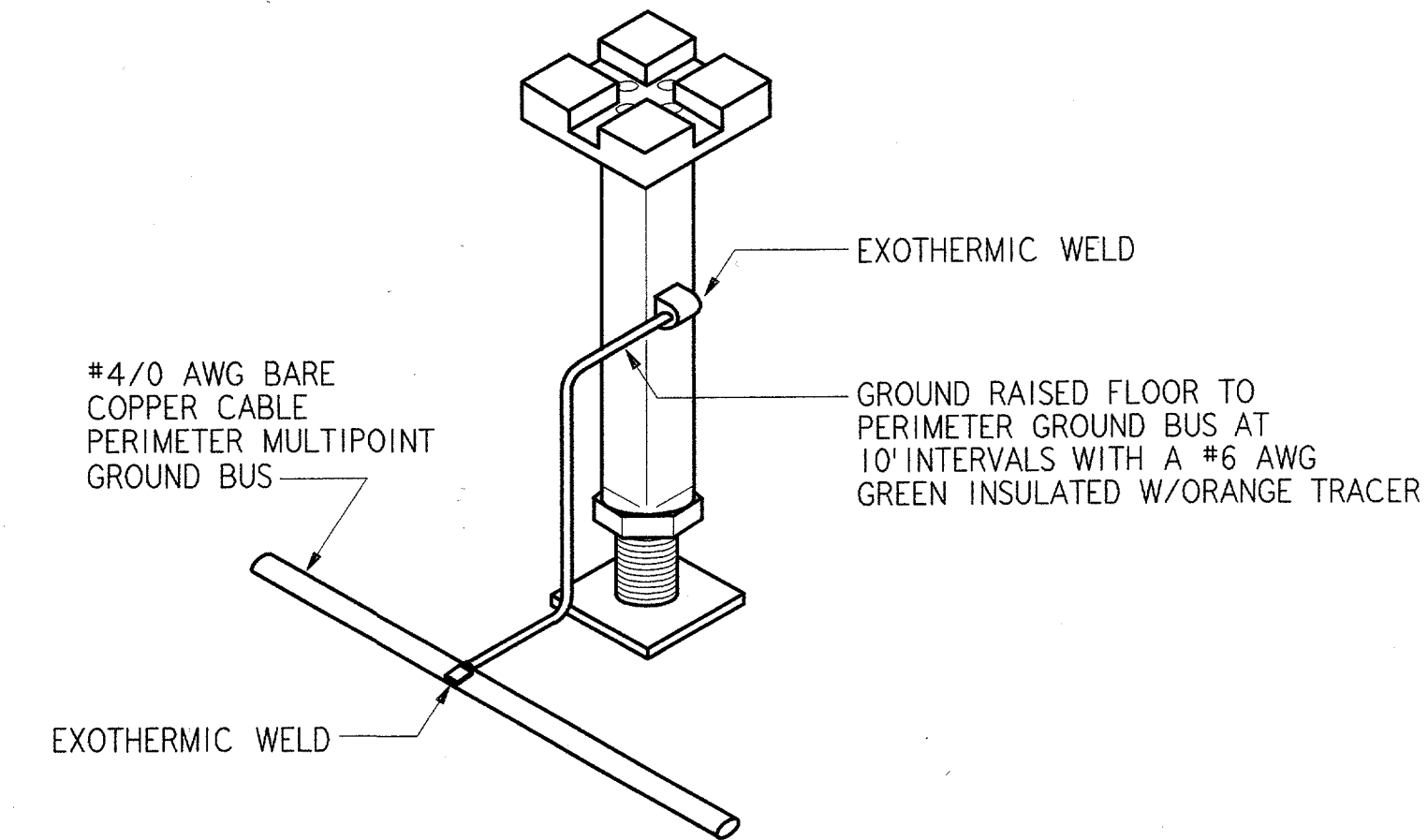


- NOTES:
1. LUG BOND SHALL BE 26 GAGE x 2" x 48" LONG COPPER STRIP WITH (1) 5/16" HOLE IN THE TERMINAL END. COPPER STRIP SHALL BE 40481 CIRCULAR MILS (MIN) IN CROSS SECTION A MAXIMUM RESISTANCE OF 23 OHMS AT 20 MHZ FOR A 12" LENGTH.

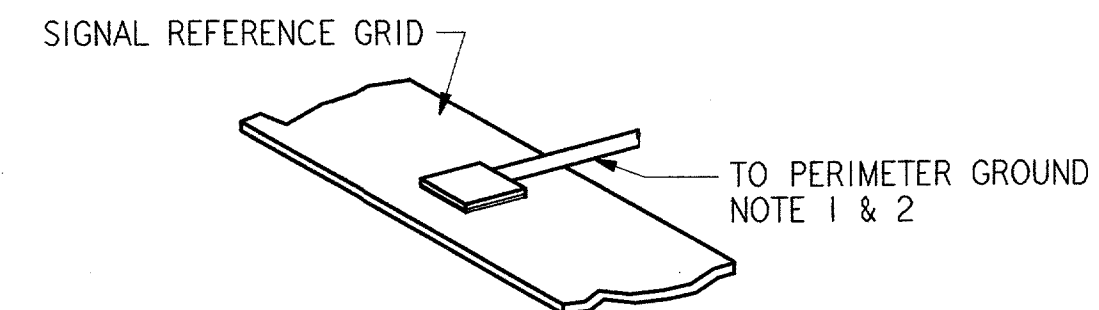
EQUIPMENT LUG BOND DETAIL 4 REF E63 E32 NTS



EQUIPMENT RM RAISED FLR PEDESTAL GRND 5 REF E63 E32 NTS



RAISED FLOOR PEDESTAL GROUNDING 6 REF E63 E32 NOT TO SCALE



- NOTE:
1. #6 AWG GREEN WITH ORANGE TRACER INSULATED COPPER CABLE SHALL BE BONDED TO THE SRG USING EXOTHERMIC WELD. THE CABLE SHALL TAKE THE SHORTEST PATH TO THE SRG WITH LENGTH NOT EXCEEDING 4 FEET.
 2. CONNECTIONS FROM THE SIGNAL REFERENCE GRID TO PERIMETER GROUND BUS SHALL BE MADE EVERY 10 FEET.

GROUND CONNECTION TO SRG 7 REF E63 E32 NTS

REV.	DATE	DESCRIPTION	DFTG.	CHECKED

STATE OF TEXAS
A. GHASSEMI
REGISTERED PROFESSIONAL ENGINEER
69431
10/22/01

PARSONS
DALLAS, TX

DEPARTMENT OF TRANSPORTATION FEDERAL AVIATION ADMINISTRATION SOUTHWEST REGION FORT WORTH, TEXAS	
LOW ACTIVITY LEVEL AIRPORT TRAFFIC CONTROL TOWER	
GROUNDING DETAILS	
ADDISON (ADDISON AIRPORT) TEXAS	
SUBMITTED: <i>[Signature]</i> 10/15/01 SYSTEMS ENGINEER, ANI-630	APPROVED: <i>[Signature]</i> 10/15/01 MANAGER, INFRASTRUCTURE PLATFORM, ANI-630
DESIGNED: A. SMITH REVIEWED: B. EISENRICH ORIG. DFT.: R. RUTGER FACILITY:	ISSUED BY: AIRWAY FACILITIES DIVISION DATE: 06-22-01 DRAWING NUMBER: ADS-ATCT-E63