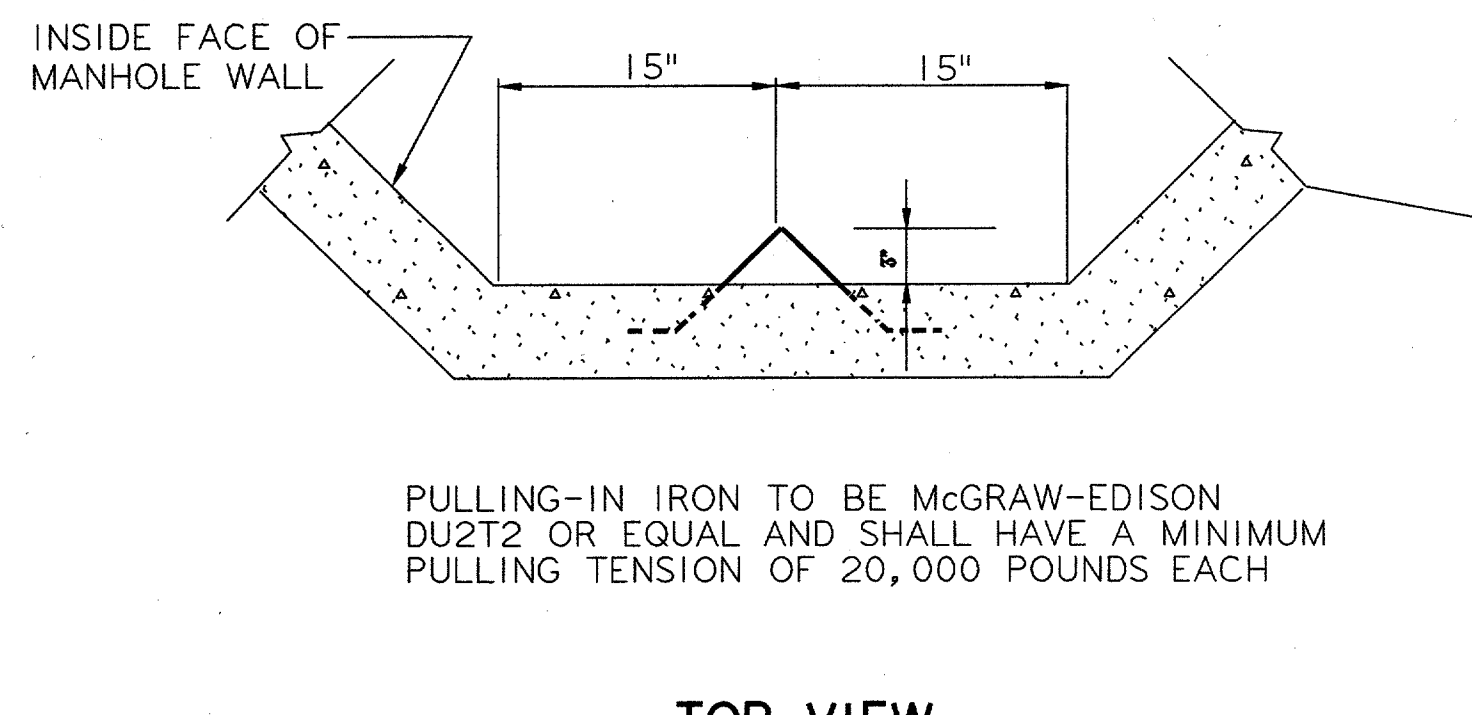


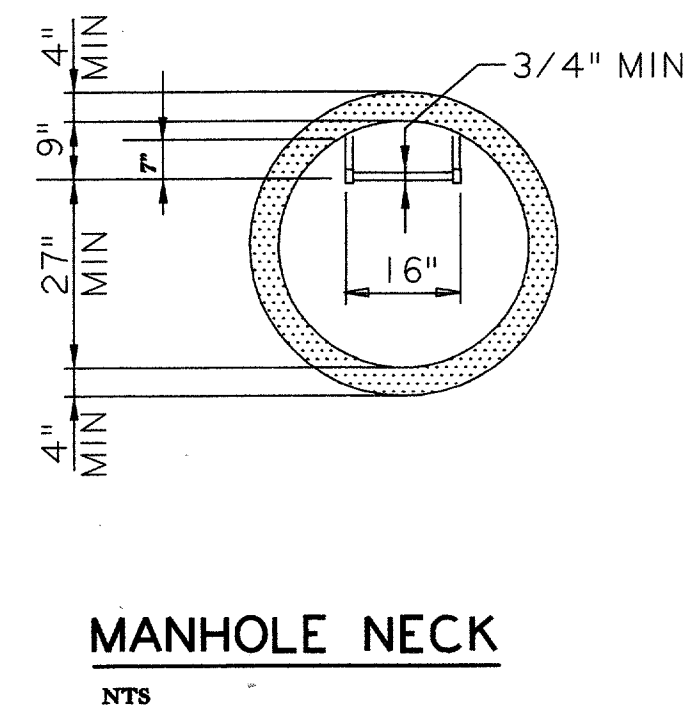
INTERFACE BETWEEN DUCT LINE AND MANHOLE

NTS



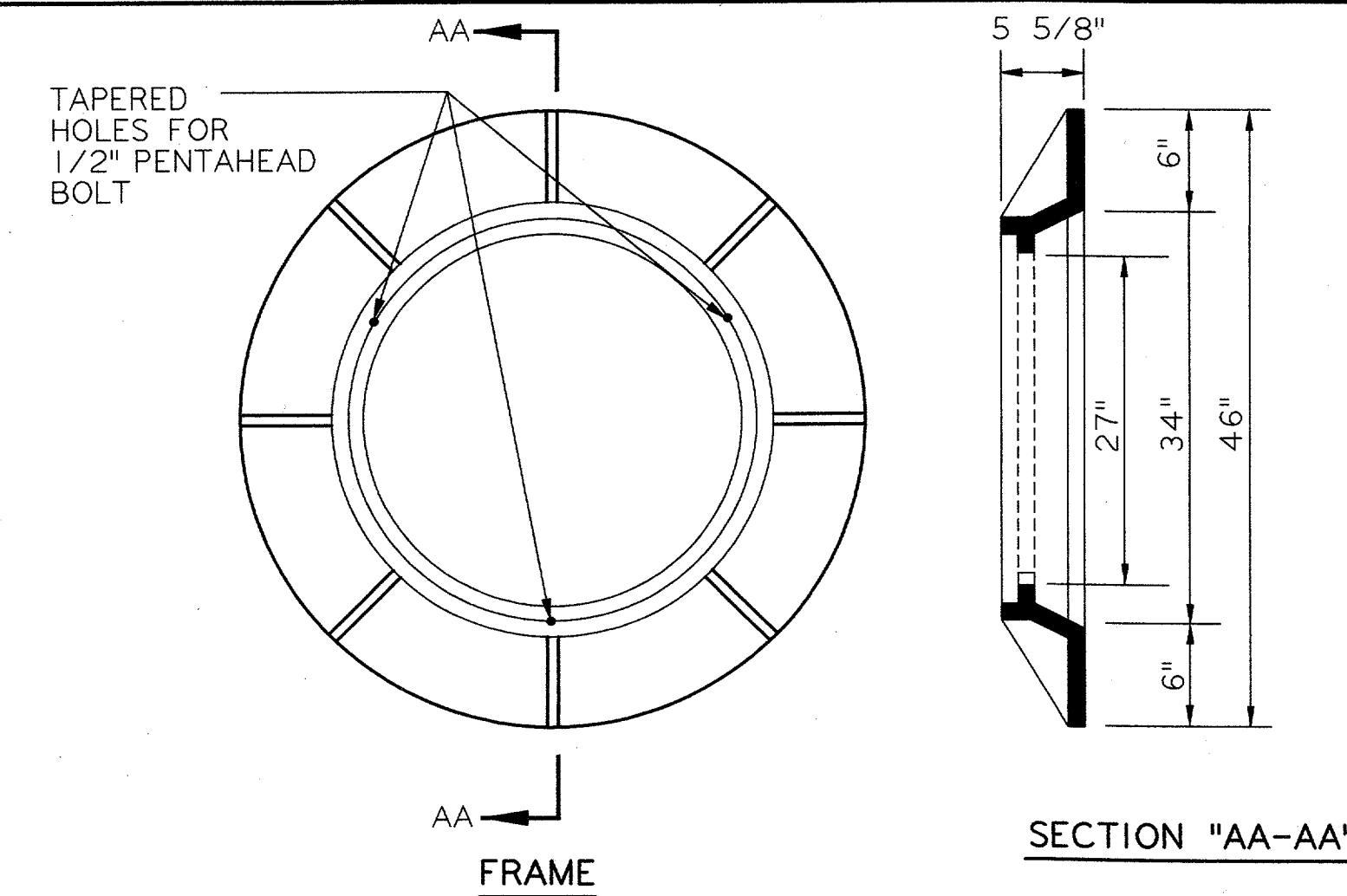
TOP VIEW PULLING-IN IRON

NTS



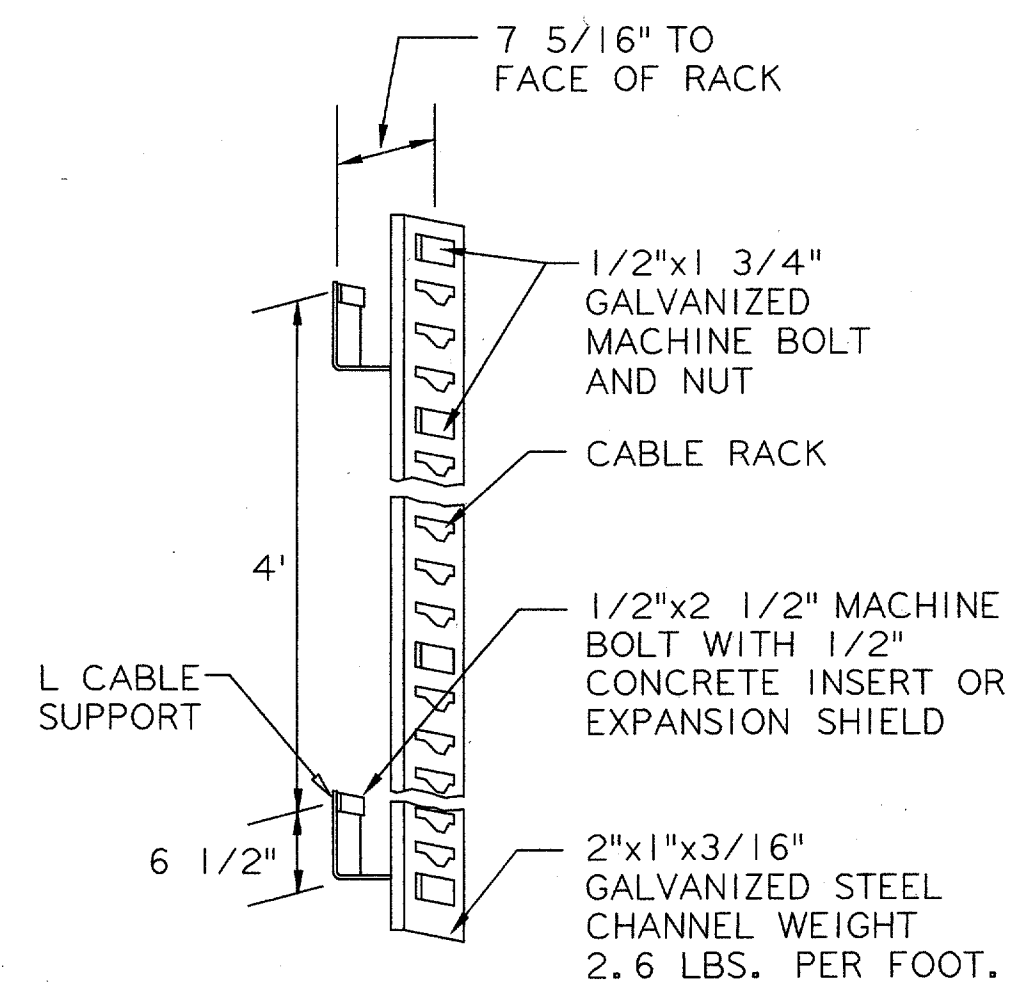
MANHOLE NECK

NTS



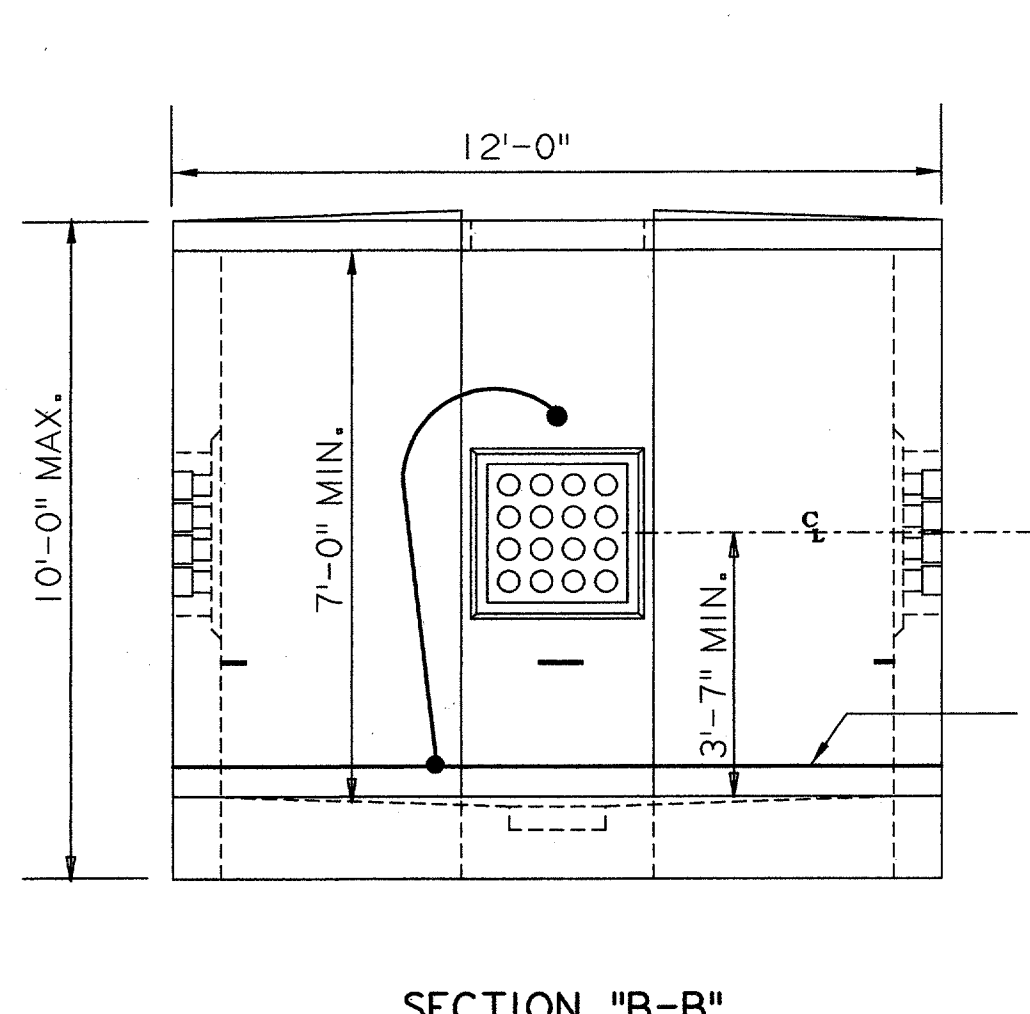
FRAME

SECTION "AA-AA"

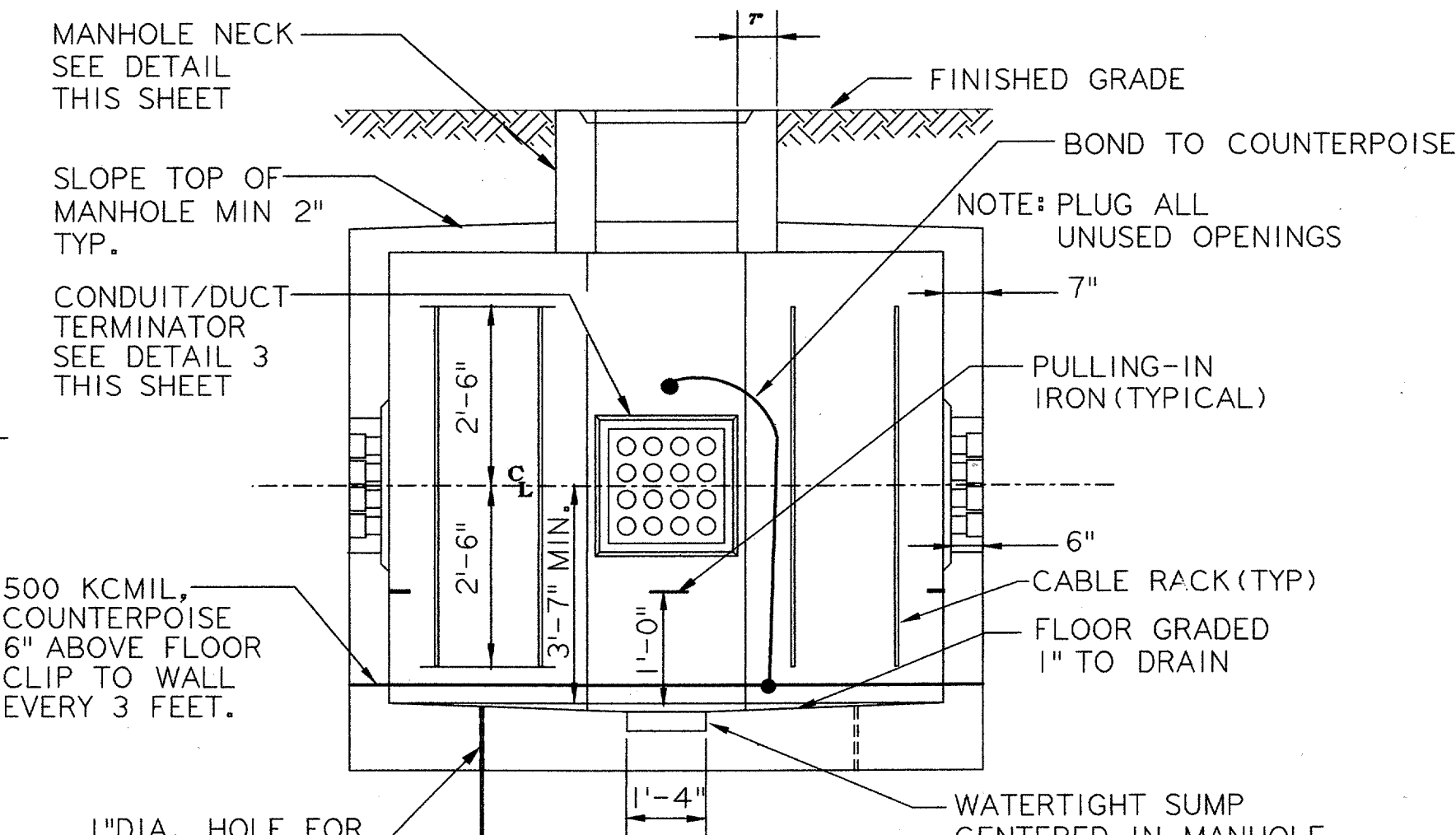


CABLE RACK DETAIL

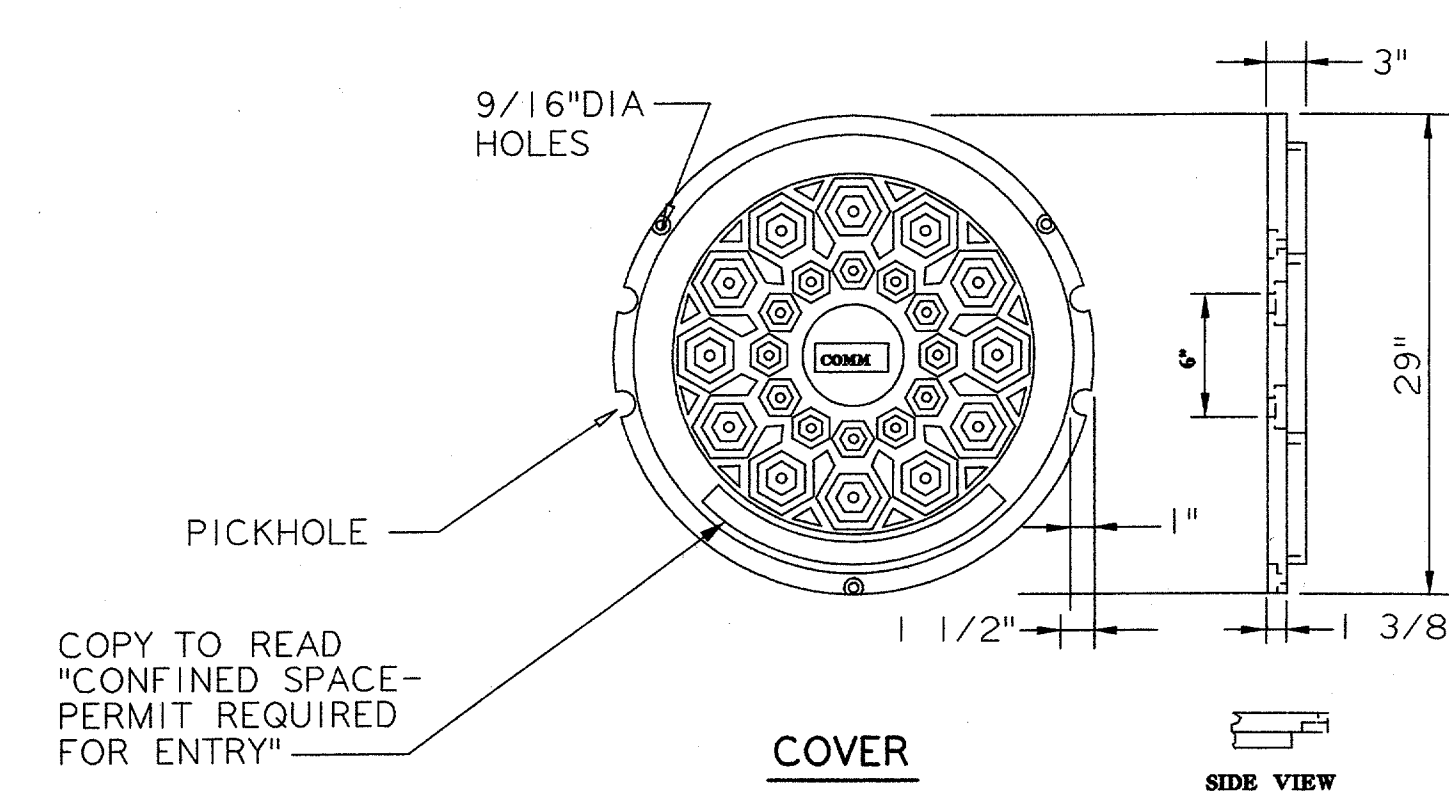
NTS



SECTION "B-B"



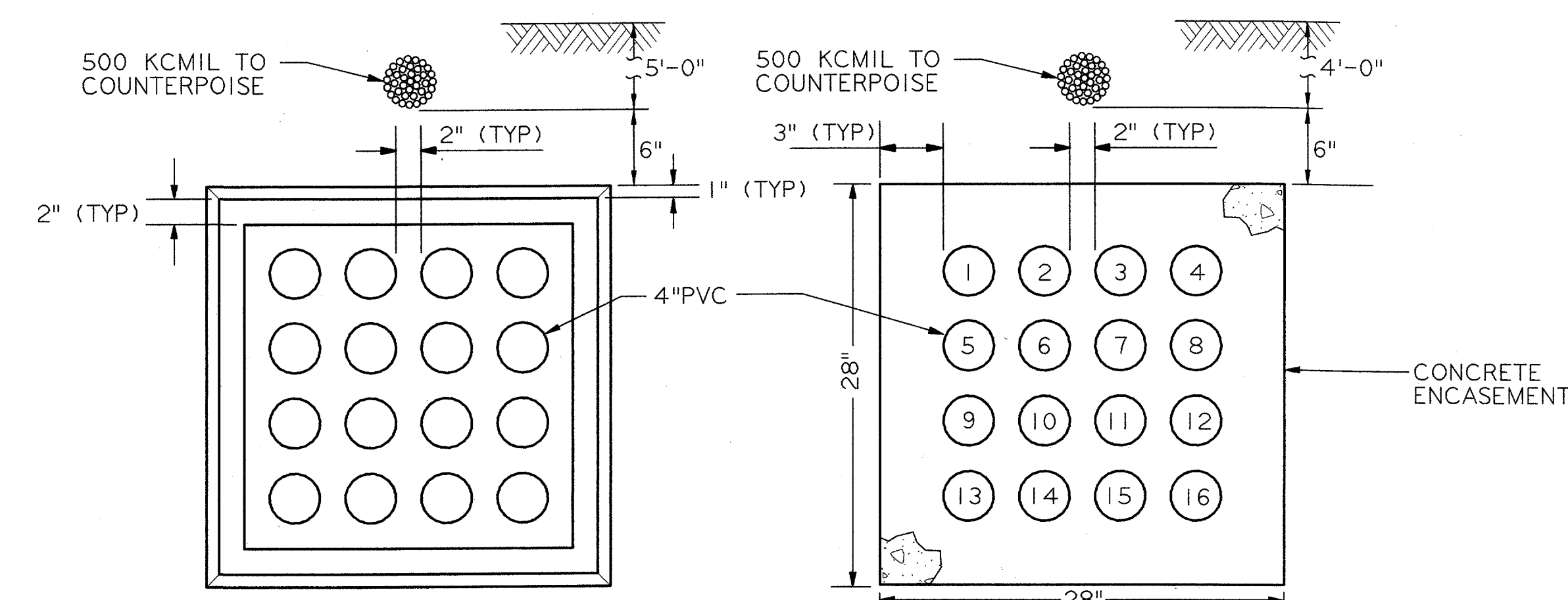
SECTION "A-A"



COVER

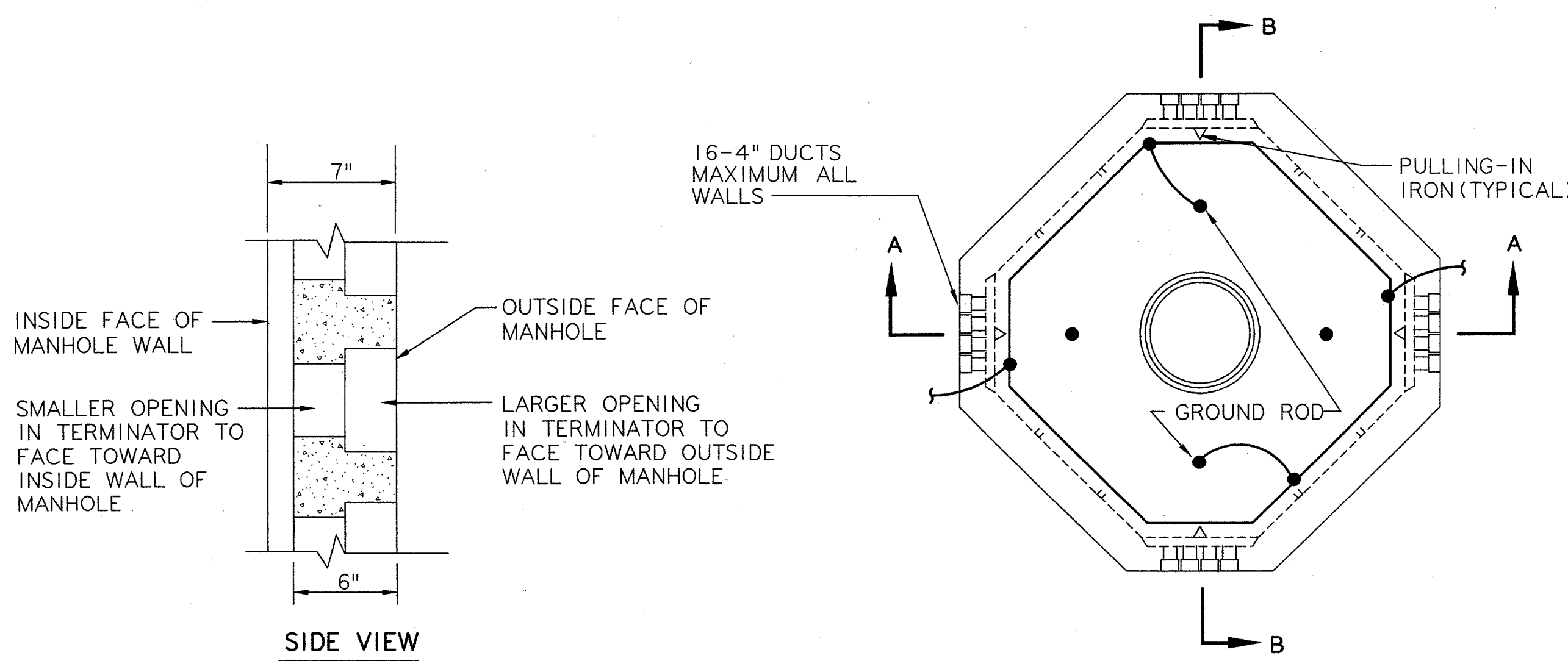
COVER AND FRAME DETAILS

NTS



MANHOLE CONDUIT / DUCT TERMINATOR DETAIL

NTS



POSITION OF TERMINATORS IN MANHOLE

NTS



MANHOLE 1

NTS

DALLAS, TX		REF. DWG. :	

DEPARTMENT OF TRANSPORTATION FEDERAL AVIATION ADMINISTRATION SOUTHWEST REGION FORT WORTH, TEXAS			
LOW ACTIVITY LEVEL AIRPORT TRAFFIC CONTROL TOWER			
ELECTRICAL MANHOLE DETAILS			
ADDISON SUBMITTED: <i>[Signature]</i> 10/15/01 SYSTEMS ENGINEER, ANI-630	(ADDISON AIRPORT)	APPROVED: <i>[Signature]</i> 10/15/01 MANAGER INFRASTRUCTURE PLATFORM, ANI-630	TEXAS
DESIGNED: A. SMITH REVIEWED: B. EISENRICH ORIG. DFT.: R. RUTGER FACILITY:	ISSUED BY AIRWAY FACILITIES DIVISION	DATE: 06-22-01 DRAWING NUMBER: ADS-ATCT- E65	

E65

FILENAME: