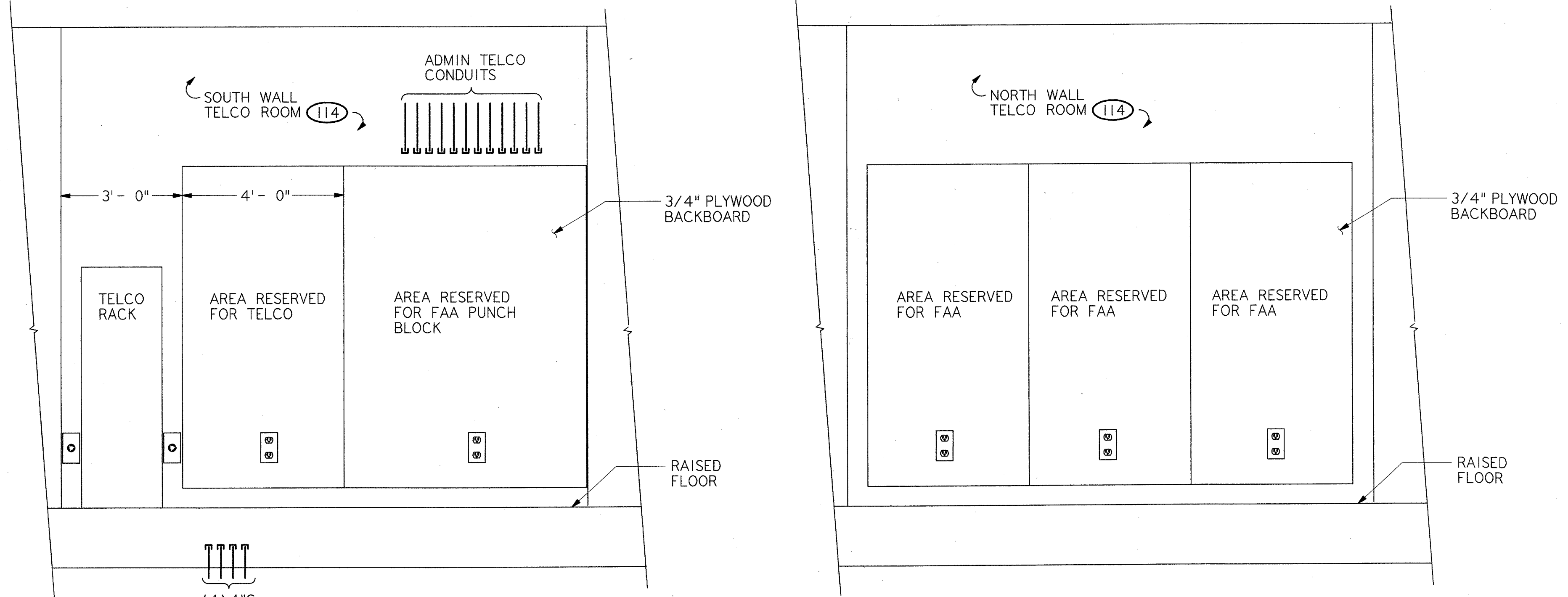


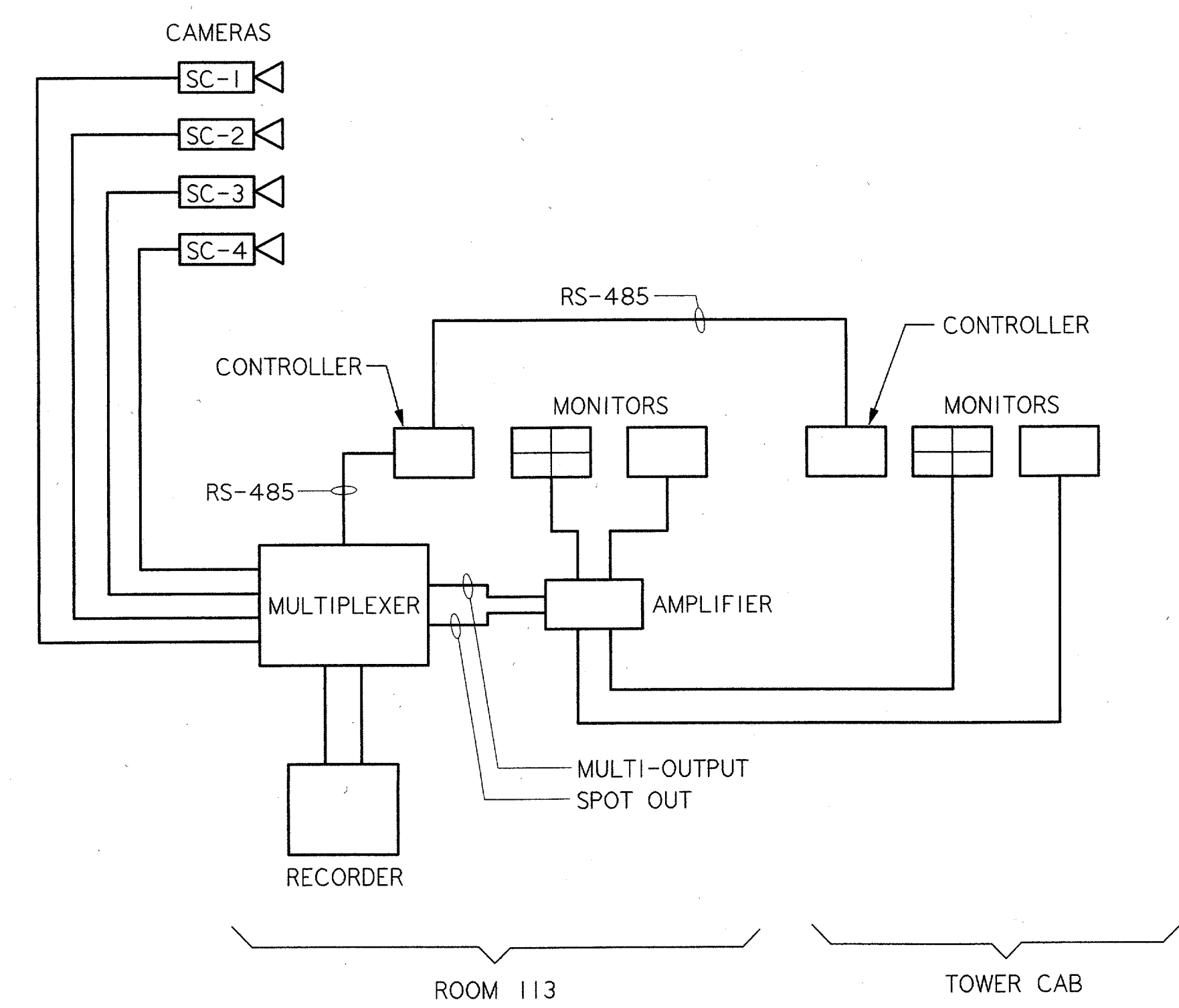
SIDE VIEW FRONT VIEW

SECURITY SYSTEMS CONSOLE AND DIRECT DIGITAL CONTROL SYSTEM (1) REF E66 E13

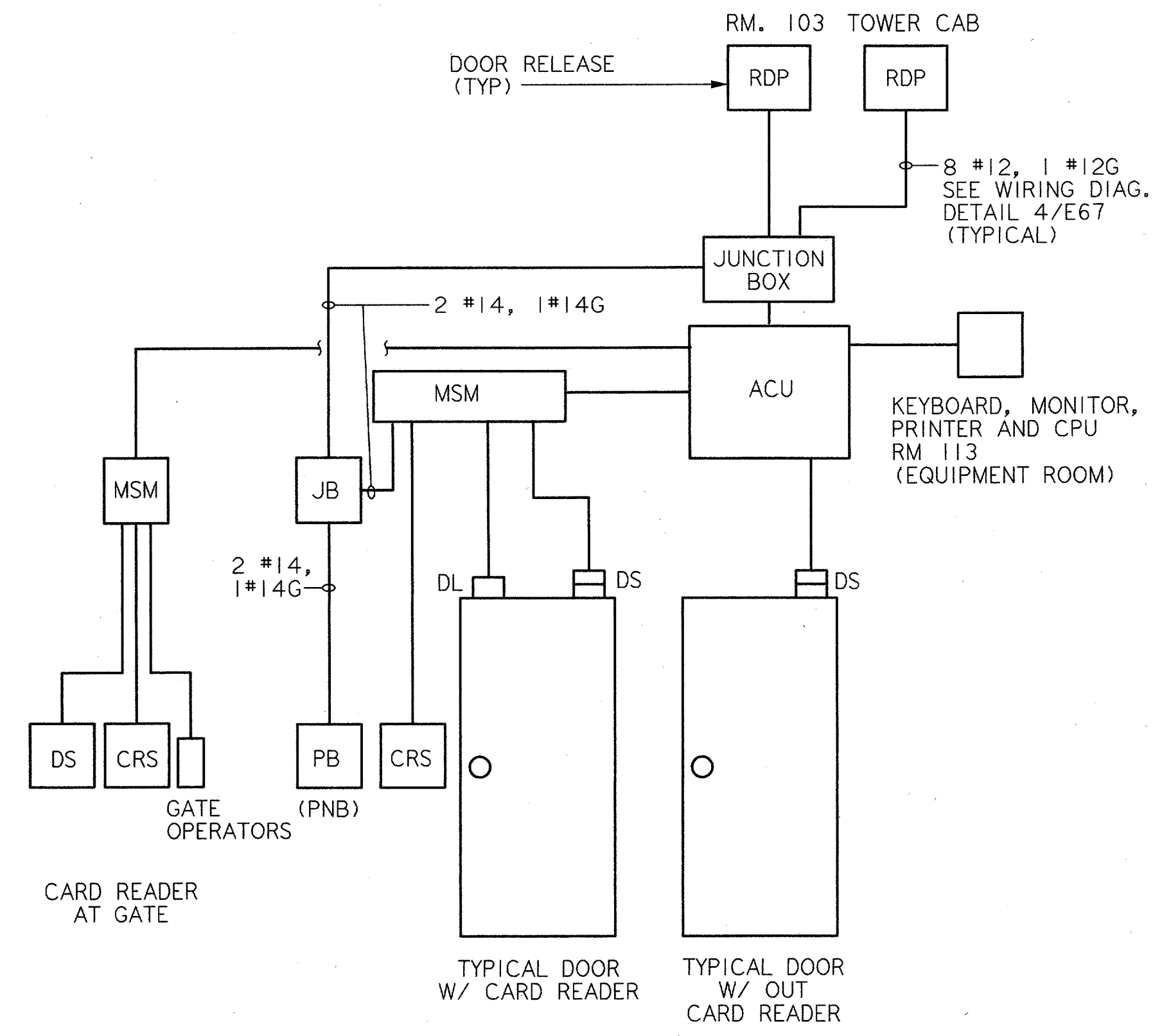
NOTE: SIZE TO FIT EXACT EQUIPMENT PURCHASED.



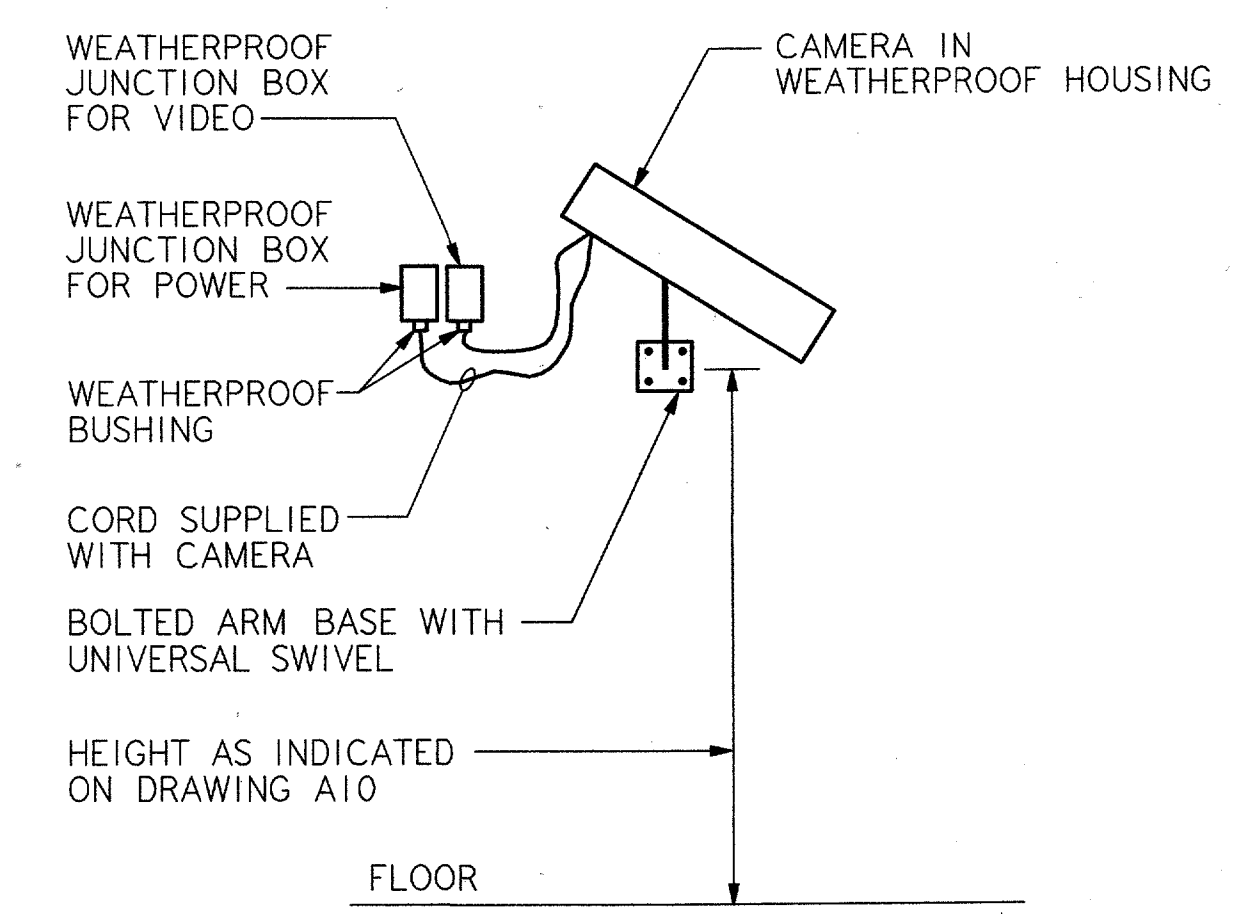
TELCO ROOM WALL DETAIL (2) REF E66 E13



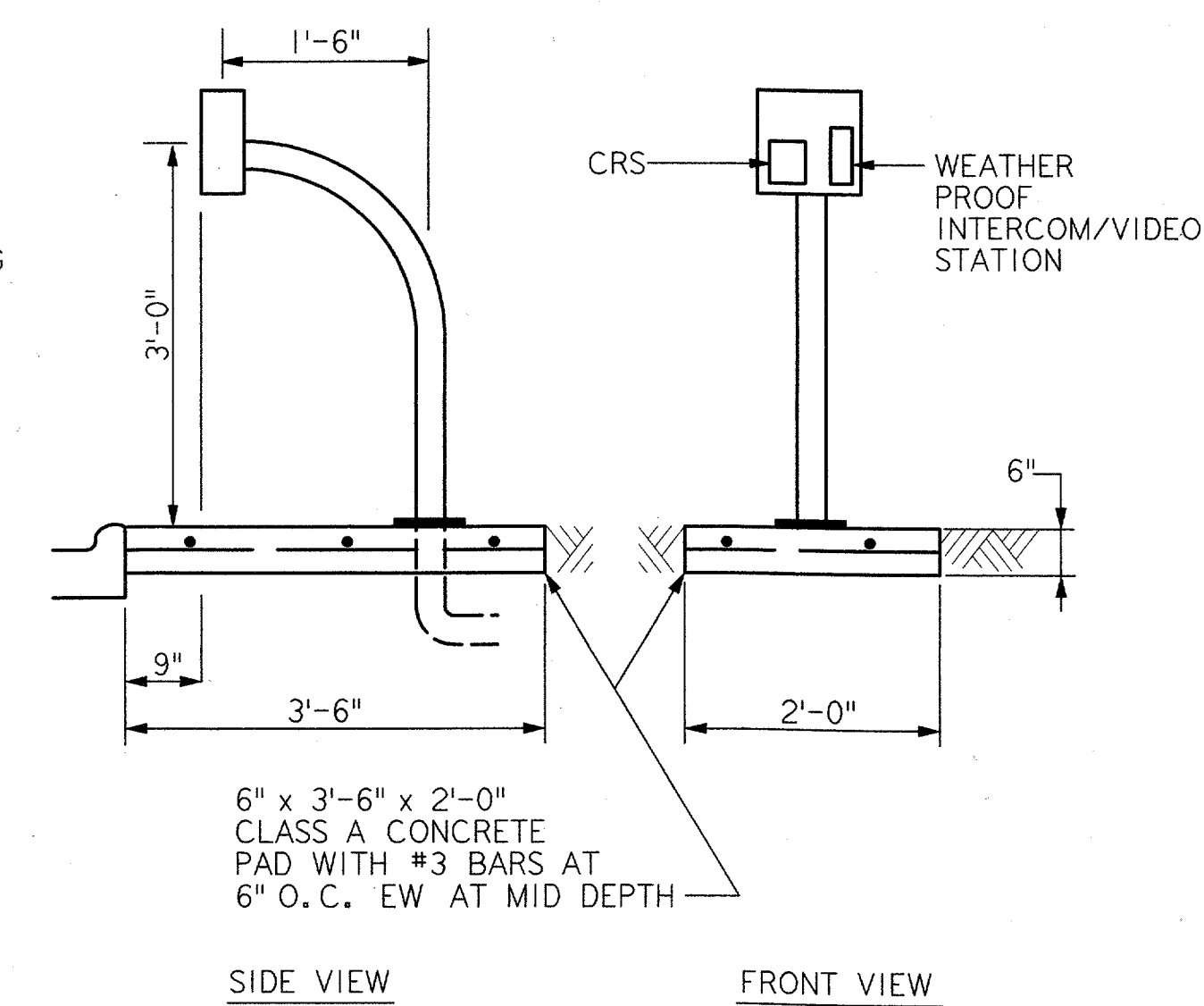
VIDEO SURVEILLANCE BLOCK DIAGRAM (6) REF E66 E15



SECURITY SYSTEM BLOCK DIAGRAM (5) REF E66 E15



CAMERA MOUNTING DETAIL (4) REF E66 E15



MAIN GATE SECURITY POST (3) REF E66 E25

DEPARTMENT OF TRANSPORTATION FEDERAL AVIATION ADMINISTRATION SOUTHWEST REGION FORT WORTH, TEXAS			
LOW ACTIVITY LEVEL AIRPORT TRAFFIC CONTROL TOWER			
ELECTRICAL DETAILS			
ADDISON (ADDISON AIRPORT) TEXAS		SUBMITTED: <i>[Signature]</i> APPROVED: <i>[Signature]</i>	
DESIGNED: A. SMITH		ISSUED BY: <i>[Signature]</i>	
REVIEWED: B. EISENRICH		DATE: 05-22-01	
ORIG. DFT.: R. RUTGER		MANAGER INFRASTRUCTURE PLATFORM, ANI-630	
FACILITY:		DRAWING NUMBER: ADS-ATCT-E66	

