

8

7

6

5

4

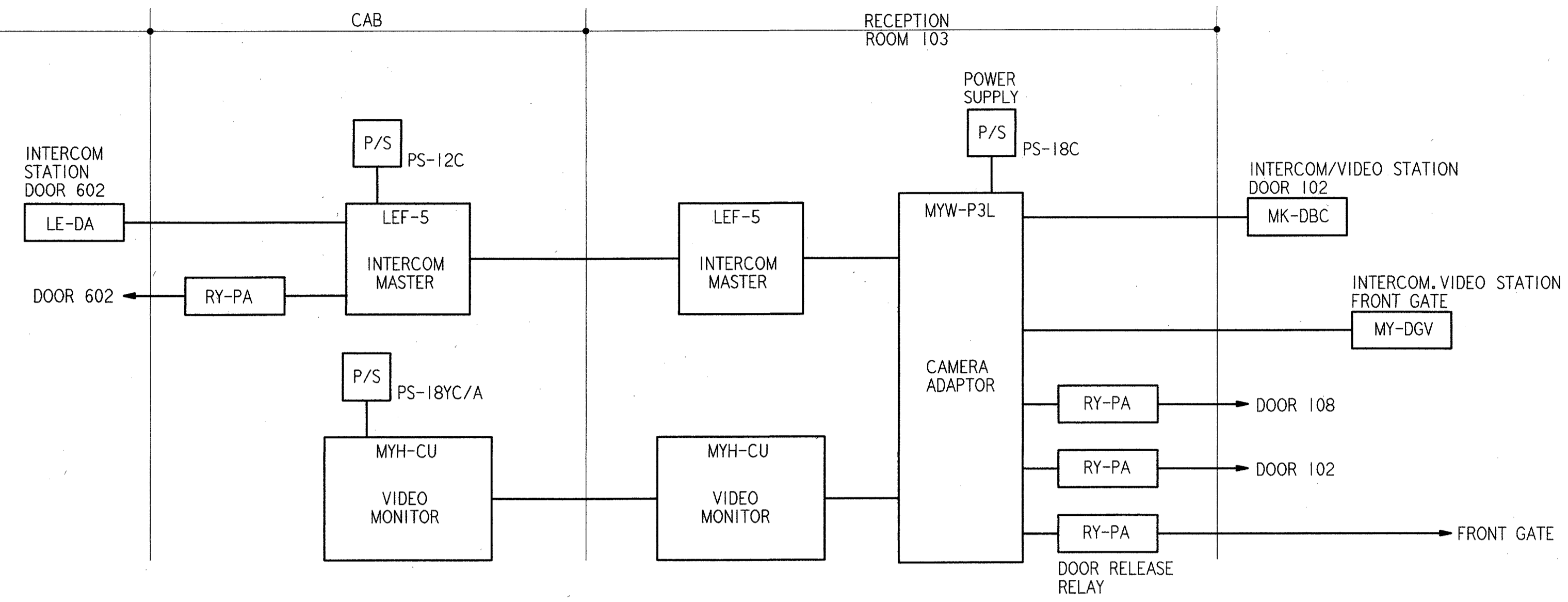
3

2

1

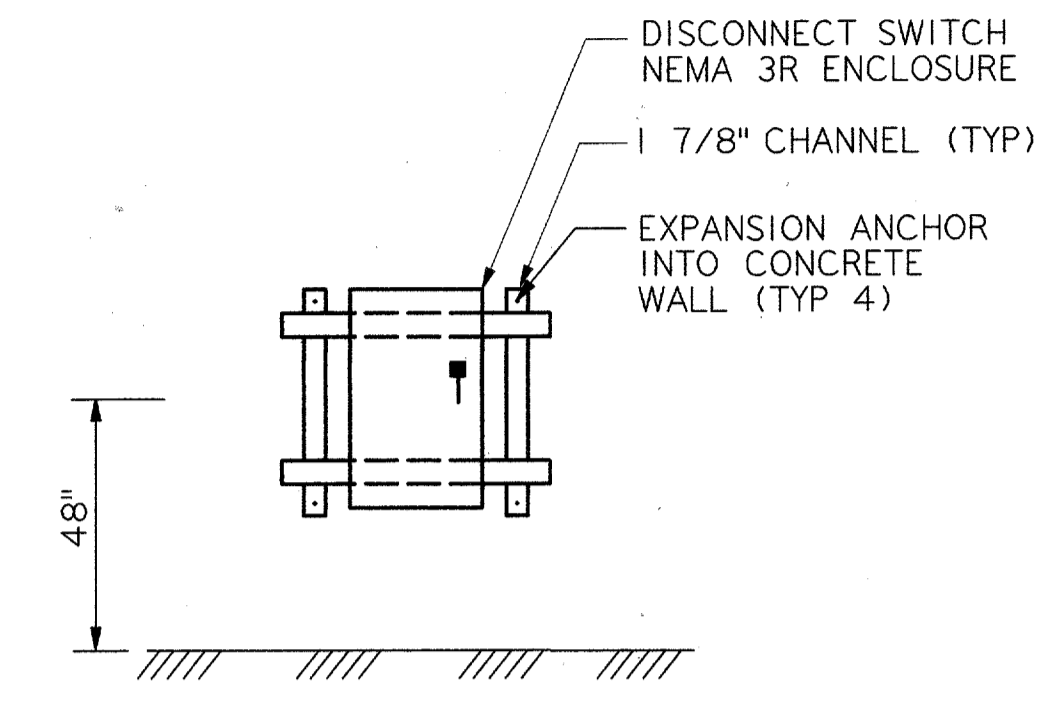
H
G
F
E
D
C
B
A

H
G
F
E
D
C
B
A

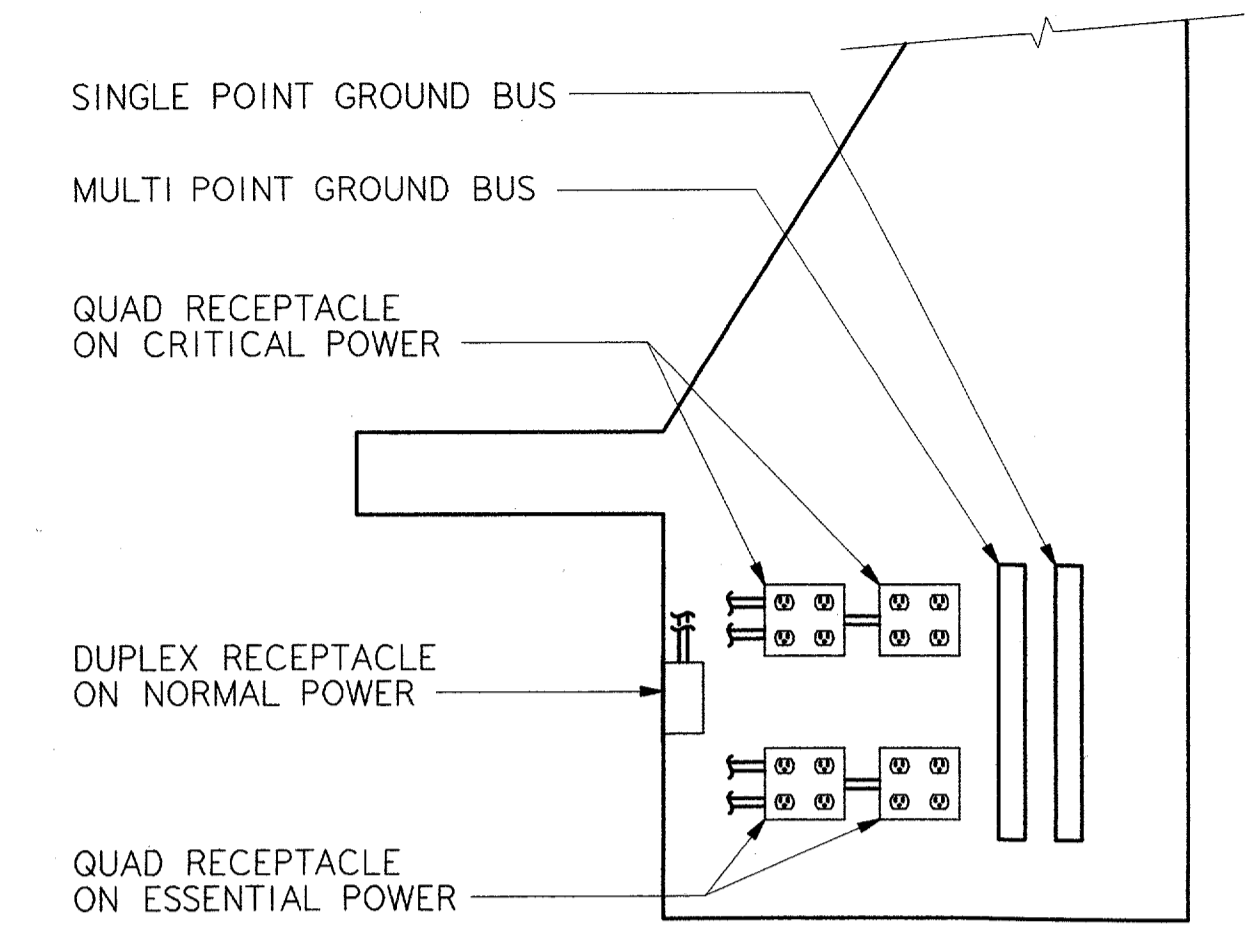


**VIDEO/INTERCOM/DOOR RELEASE SYSTEM
BLOCK DIAGRAM**

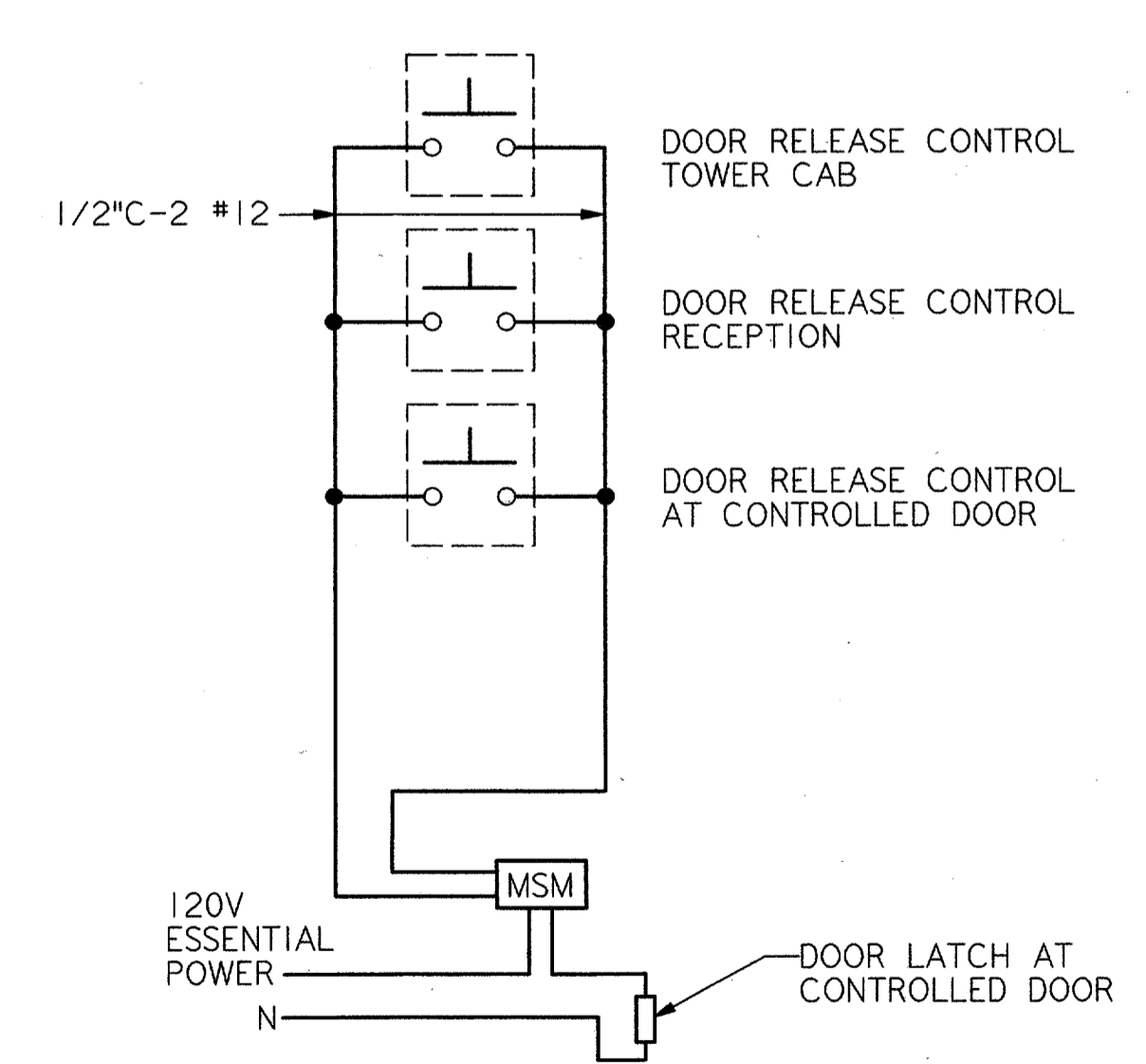
NTS (1) REF E67 E12 E15 E25



DISCONNECT RACK (2) REF E67 E14
NTS

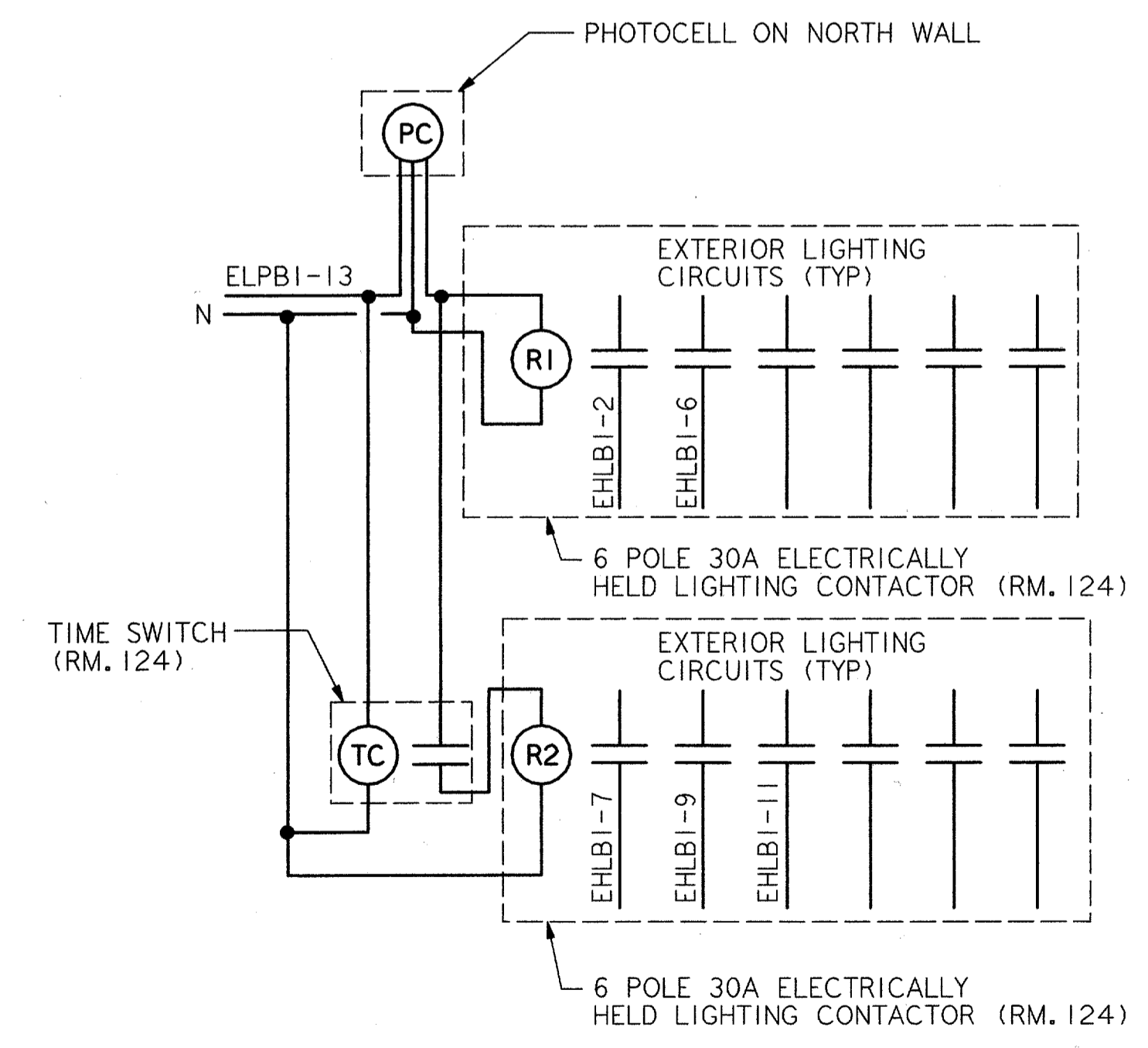


CAB CONSOLE DETAIL (3) REF E67 E12
NTS



NOTE:
SEE DETAIL 1 THIS SHEET FOR DOOR RELEASE PANEL DETAILS

**TYPICAL DOOR RELEASE
WIRING DIAGRAM FOR EACH
CONTROLLED DOOR** (4) REF E67 E66
NTS



**EXTERIOR LIGHTING
WIRING DIAGRAM** (5) REF E67 E23 E25
NTS

REV.	DATE	DESCRIPTION	DFTG.	CHECKED

A. GHASSEMI
REGISTERED PROFESSIONAL ENGINEER
69431
12/22/01

PARSONS
DALLAS, TX

E67

**DEPARTMENT OF TRANSPORTATION
FEDERAL AVIATION ADMINISTRATION**
SOUTHWEST REGION FORT WORTH, TEXAS

LOW ACTIVITY LEVEL
AIRPORT TRAFFIC CONTROL TOWER

ELECTRICAL DETAILS

(ADDISON AIRPORT) TEXAS

DESIGNED: A. SMITH	ISSUED BY: AIRWAY FACILITIES DIVISION	DATE: 06-22-01
REVIEWED: B. EISENRICH	ORIG. DFT.: R. RUTGER	DRAWING NUMBER: ADS-ATCT- E67
SUBMITTED: <i>A. Ghassemi</i> 10/15/01		APPROVED: <i>Johnnie L. White</i> 10/15/01
SYSTEMS ENGINEER, ANI-630		MANAGER INFRASTRUCTURE PLATFORM, ANI-630

8

7

6

5

4

3

2

REF. DWG. :

FILENAME: