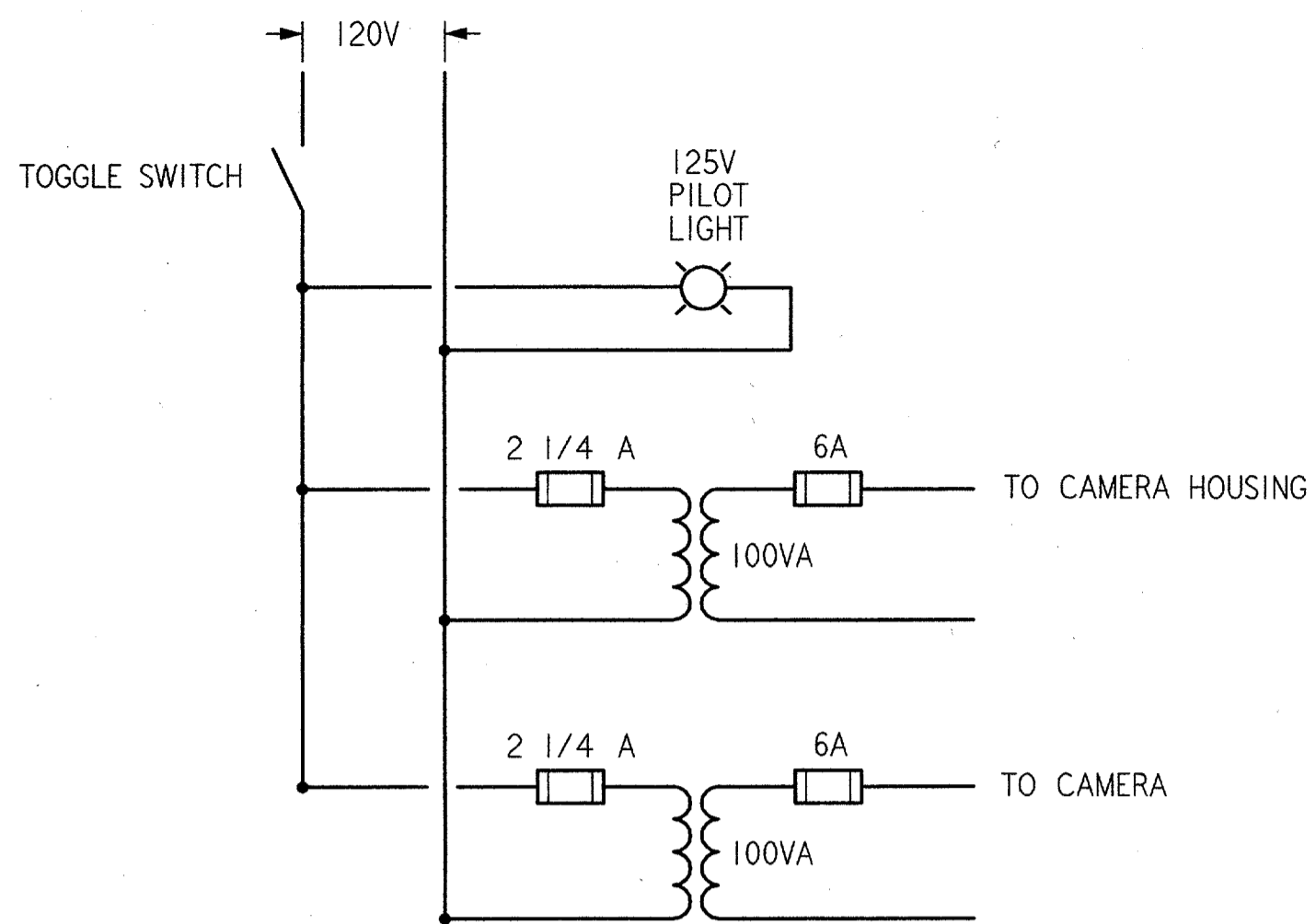
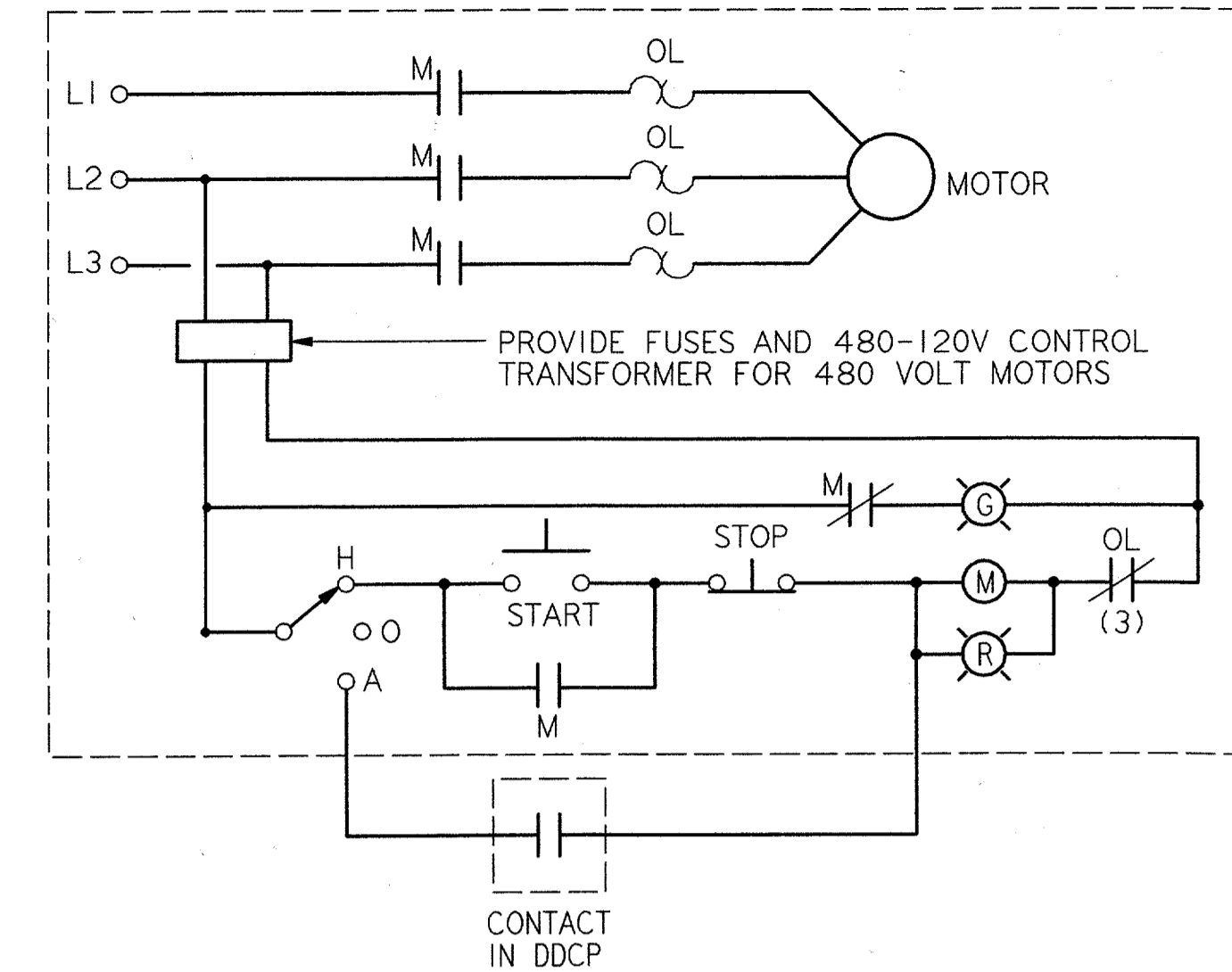


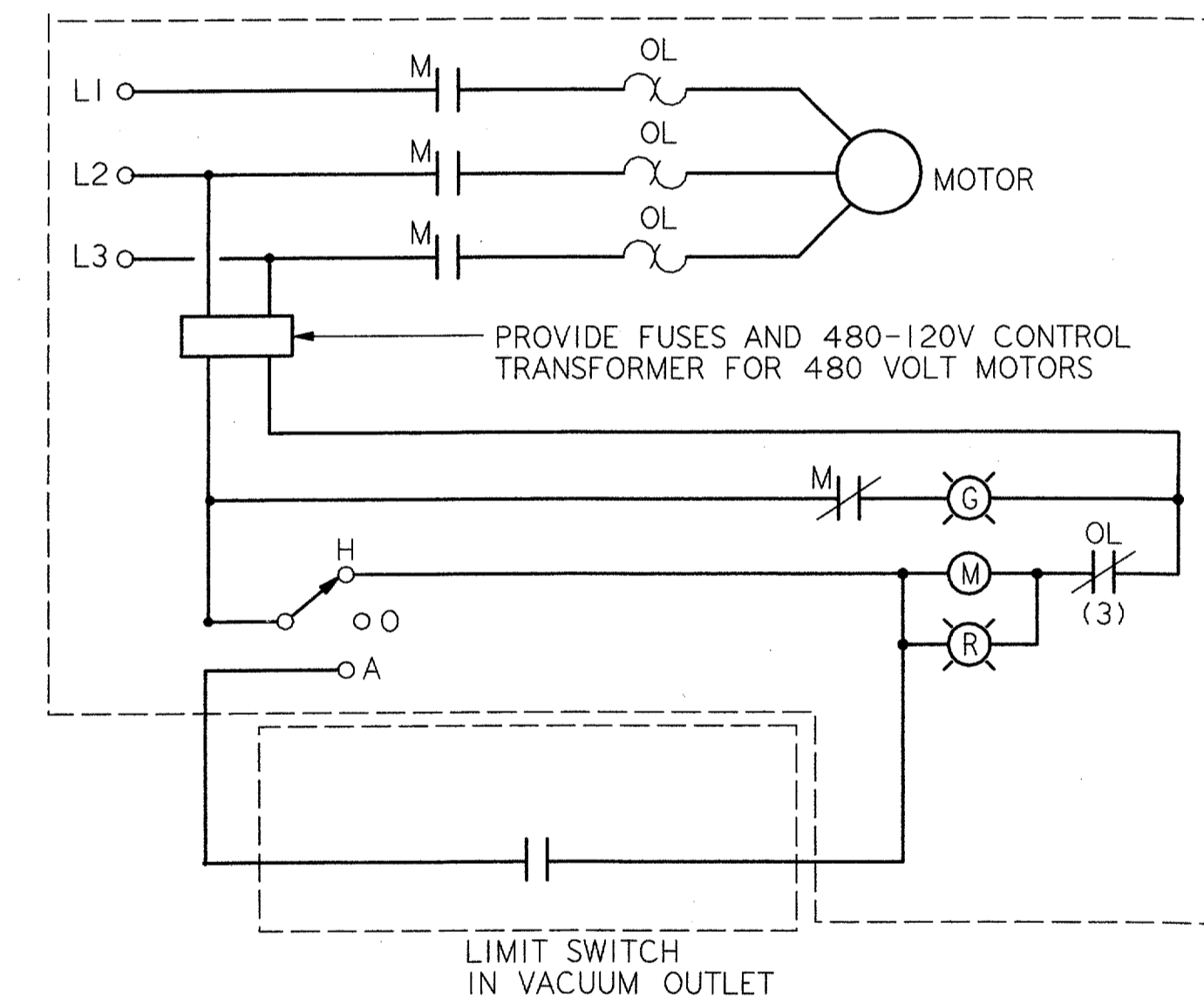
SECURITY CAMERA POWER SUPPLY
NTS REF E68 E15



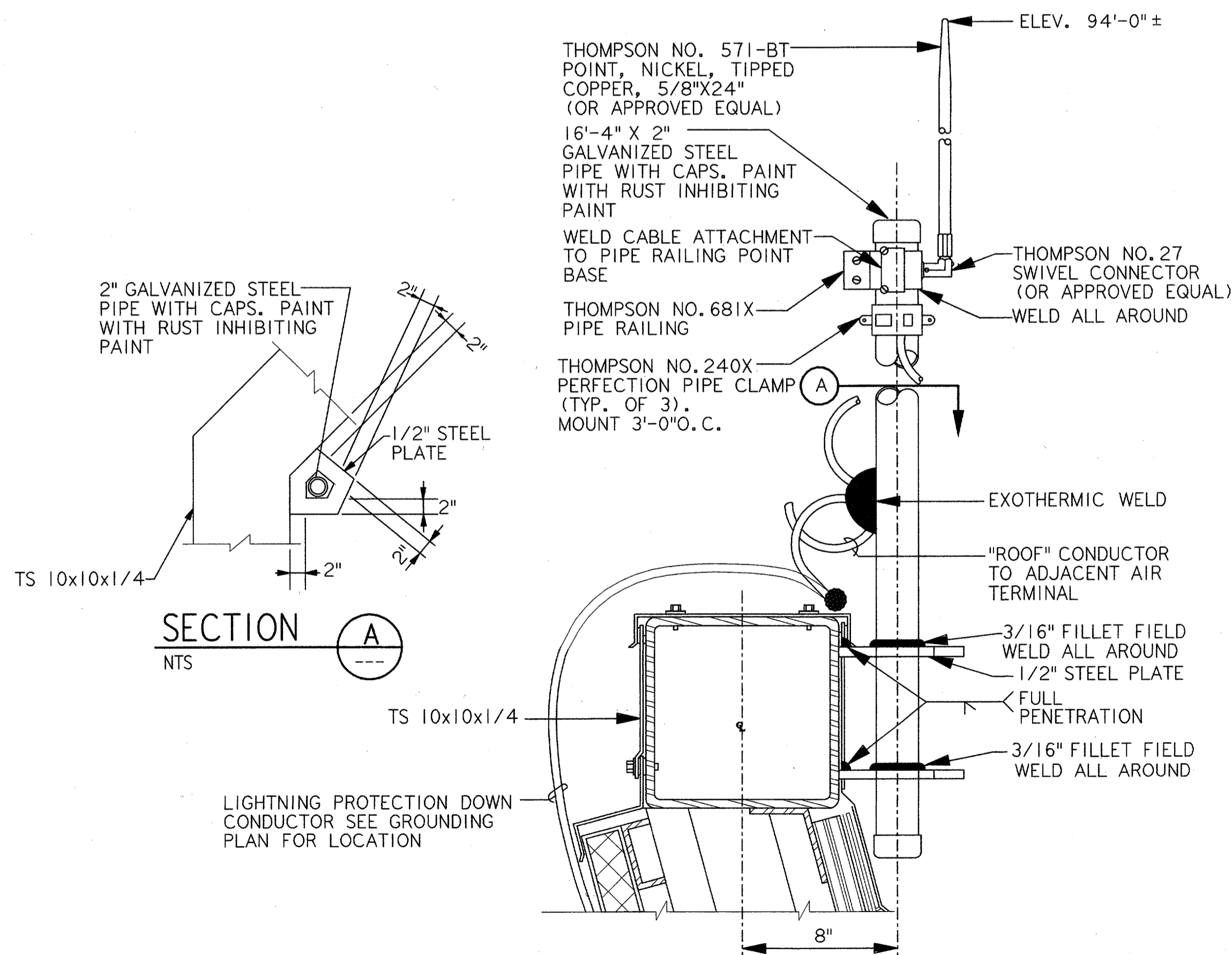
WIRING DIAGRAM REF E68 E15



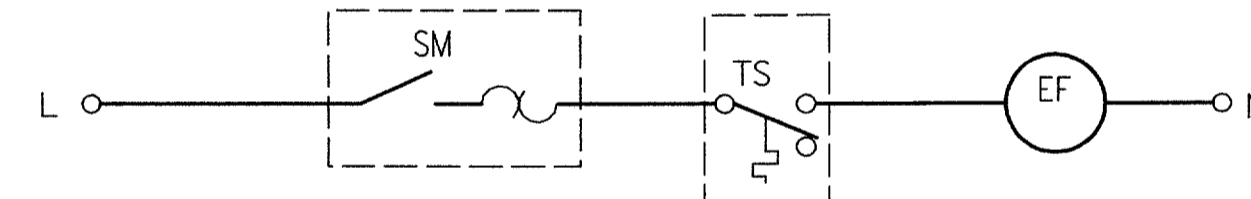
CONTROL DIAGRAM 2
(FVNR STARTER)



CONTROL DIAGRAM 3
FVNR W/ REMOTE LIMIT SWITCH



TOWER LIGHTNING RODS REF E68 E31



CONTROL DIAGRAM 1
(SINGLE PHASE EF WITH TEMPERATURE SWITCH)

| | | | | | |
|--|--|--|--|--|--|
| | | | | DEPARTMENT OF TRANSPORTATION FEDERAL AVIATION ADMINISTRATION SOUTHWEST REGION FORT WORTH, TEXAS LOW ACTIVITY LEVEL AIRPORT TRAFFIC CONTROL TOWER ELECTRICIAL DETAILS ADDISON (ADDISON AIRPORT) TEXAS DESIGNED: A. SMITH REVIEWED: B. EISENRICH ORIG. DFT.: R. RUTGER FACILITY: | |
| ISSUED BY AIRWAY FACILITIES DIVISION | | DATE: 06-22-01 DRAWING NUMBER: ADS-ATCT- E68 | | APPROVED: <i>Johnnie L. White</i> 10/10/01 MANAGER INFRASTRUCTURE PLATFORM, ANI-630 | |