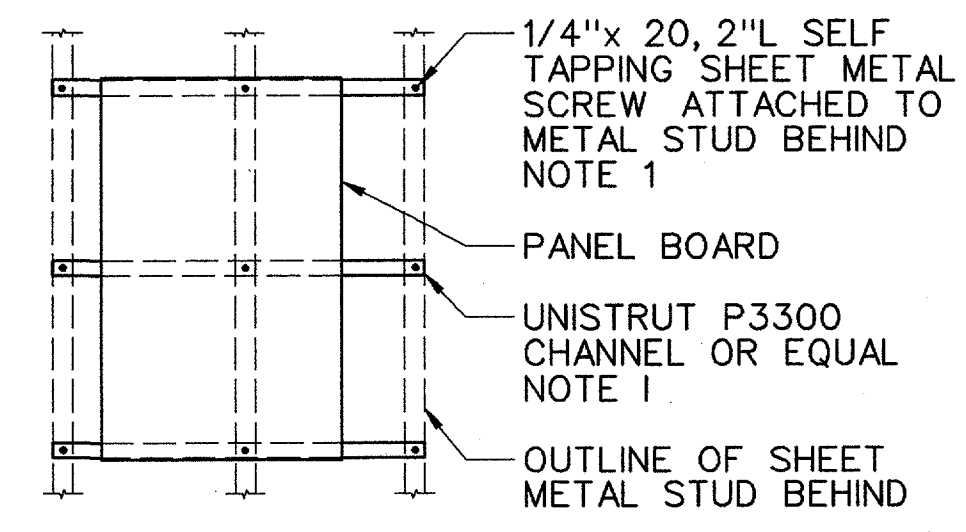


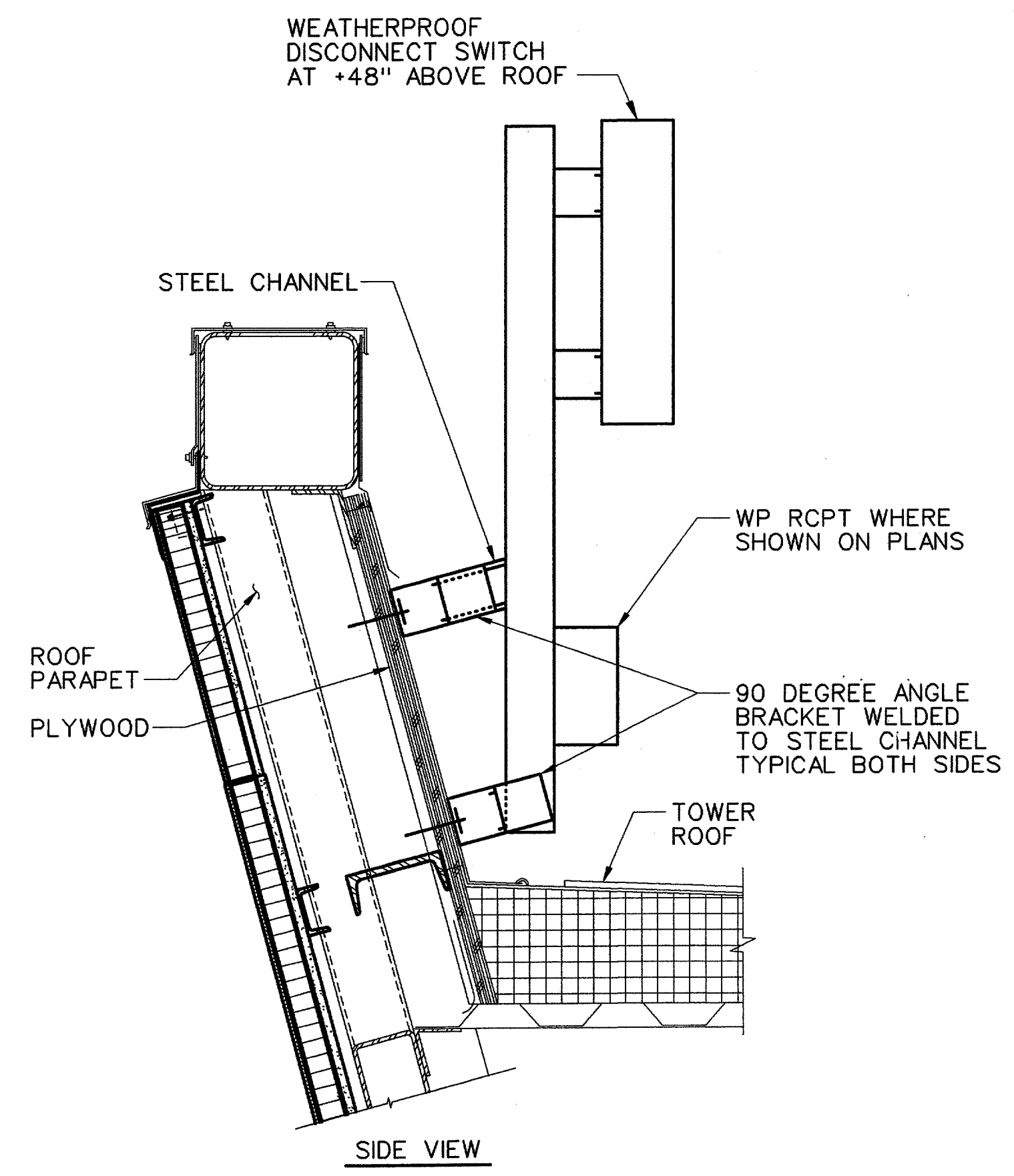
1 CANTILEVER GATE GROUNDING DETAIL REF E025
E069 NOT TO SCALE

NOTE: GROUND EACH FENCE POST FOR ENTIRE FENCE PERIMETER.

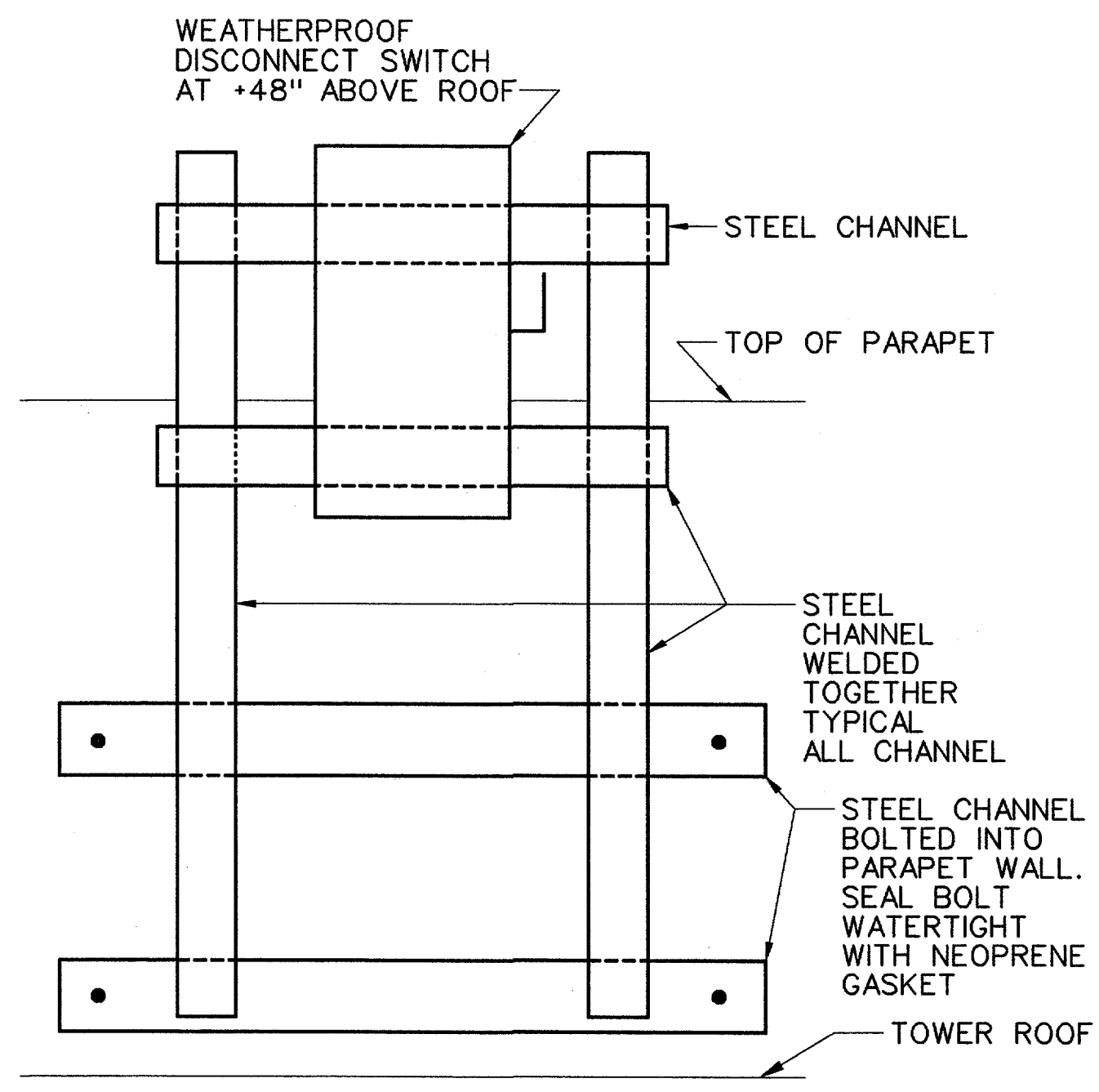


NOTES:
1. FOR PANEL BOARDS MDPEH AND DPCL USE THREE CHANNELS WITH THREE SCREWS EACH CHANNEL. ALL OTHER PANEL BOARDS USE TWO CHANNELS WITH TWO SCREWS PER CHANNEL.

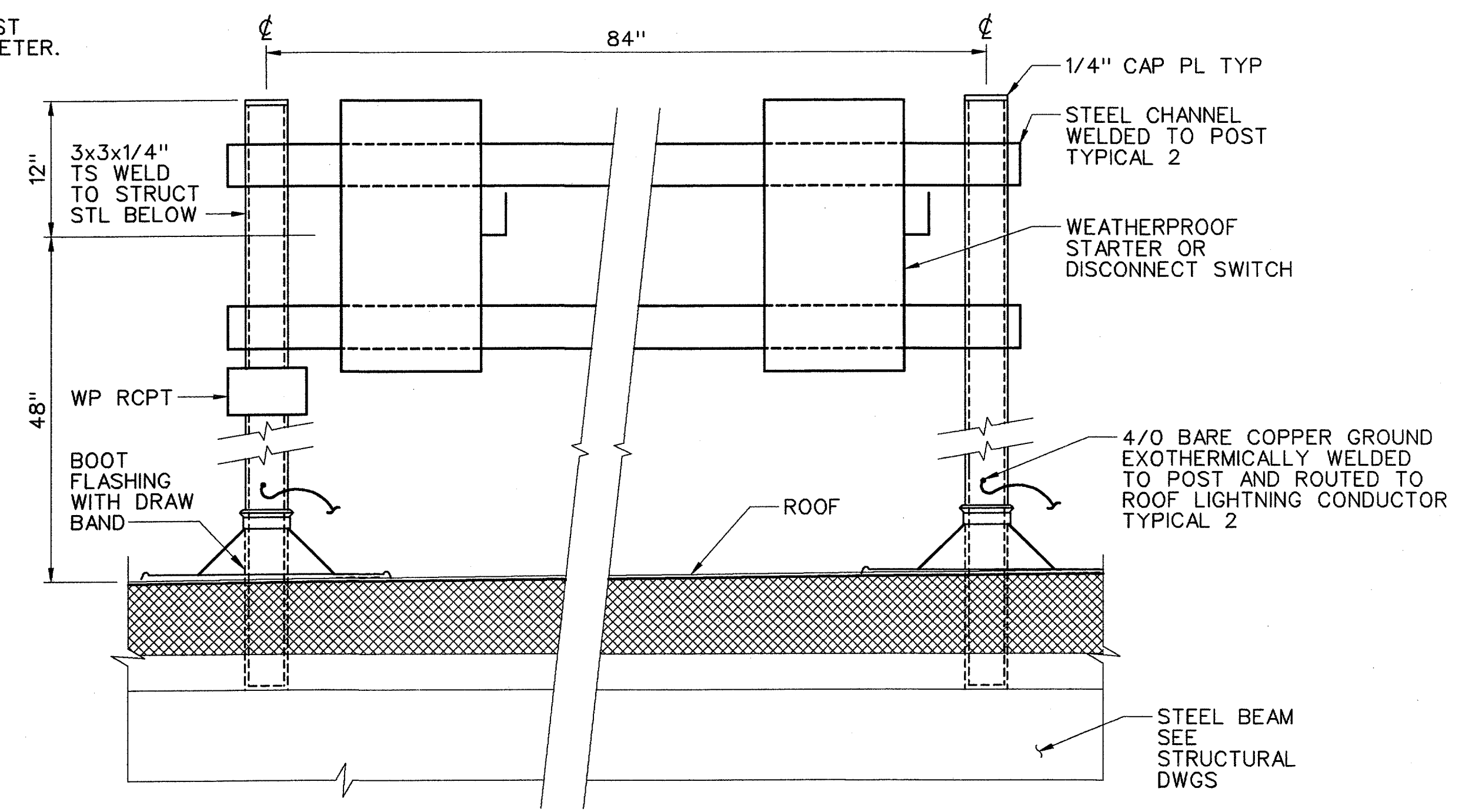
3 PANEL BOARD MOUNTING DETAIL REF E011 E013 E014
E069 NOT TO SCALE



2 DISCONNECT MOUNTING DETAIL REF E012
E069 NOT TO SCALE



FRONT VIEW



4 DISCONNECT MOUNTING DETAIL REF E024 E014
E069 NOT TO SCALE

A		06-23-03	FAA REDESIGN OF HVAC, JON 21874.	9700164	06-23-03	
REV	DATE	DESCRIPTION		JCN	REDLINE DATE	APVD
DEPARTMENT OF TRANSPORTATION FEDERAL AVIATION ADMINISTRATION FORT WORTH IMPLEMENTATION CENTER FORT WORTH, TX LOW ACTIVITY LEVEL ATCT ELECTRICAL DETAILS						
ADDISON		ADDISON AIRPORT		TX		
REVIEWED BY	SUBMITTED BY		APPROVED BY			
	<i>M. A. LeHeed</i> 7/18/03		<i>Johnnie L. White</i> 7/18/03			
DESIGNED	PROJECT ENGINEER, ANI-630		PLATFORM MANAGER, ANI-630			
DRAWN	M. WAHEED	ISSUED BY	DATE	06-23-03	JCN	9700164
CHECKED	KS	NAS IMPLEMENTATION ANI-600	DRAWING NO	ADS-D-ATCT-E069		REV A