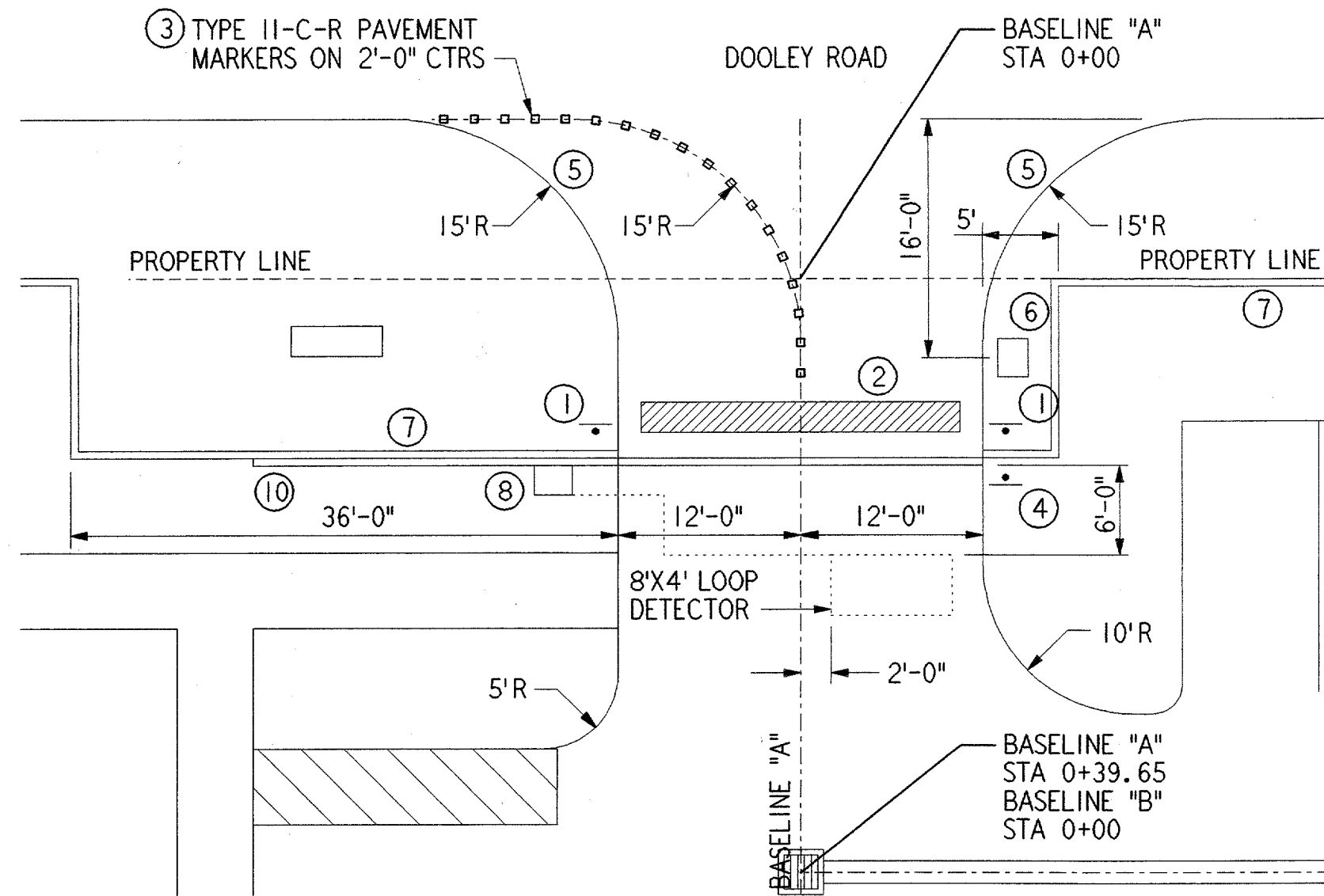


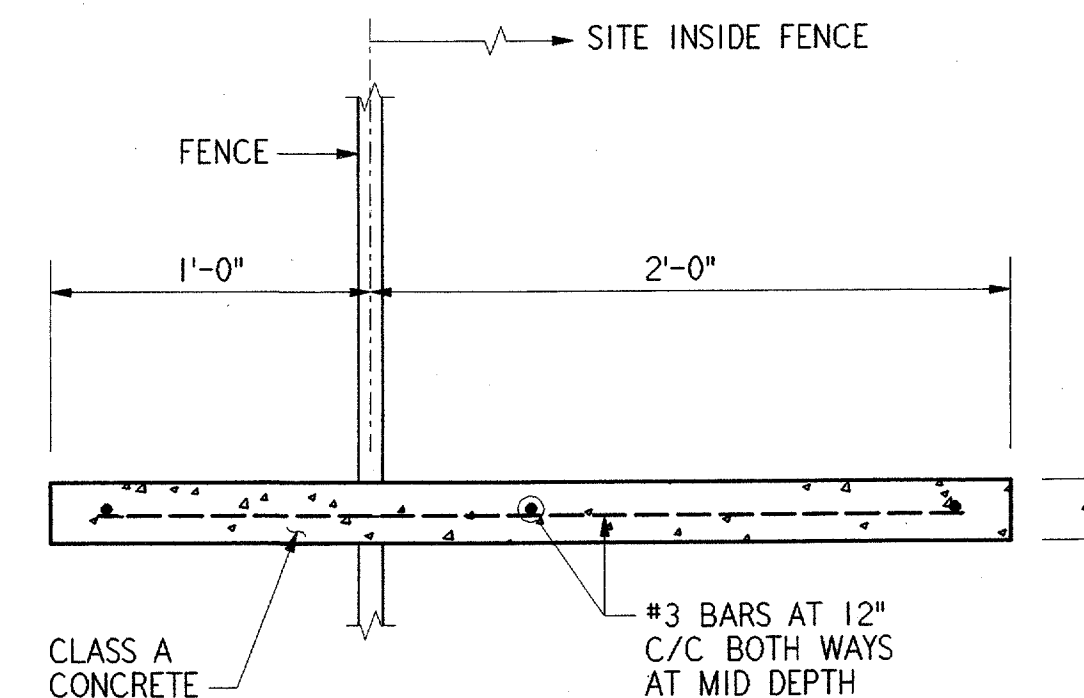
EXIT GATE (SOUTH) DETAIL

1" = 10'



ENTRANCE GATE DETAIL

1" = 10'



MOWING PAD UNDER FENCE

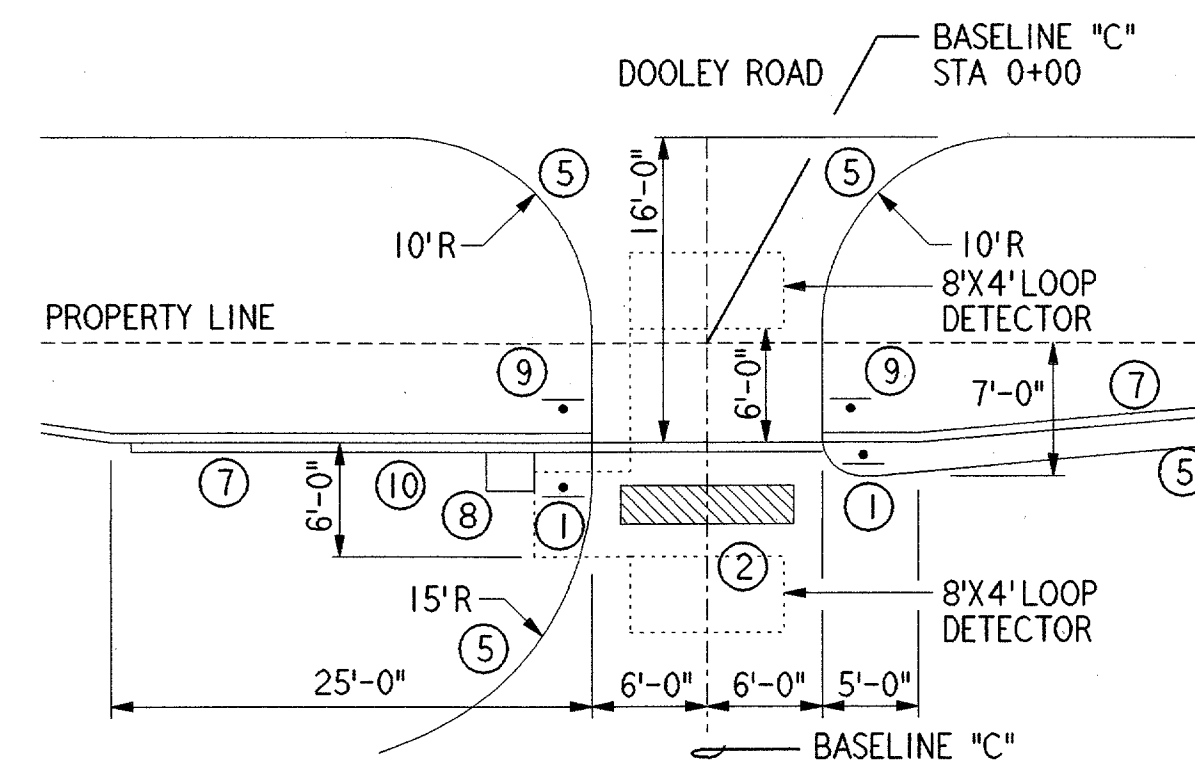
NTS

NOTES:

- 1. SEE SHEET C05 FOR OVERALL SITE GEOMETRY.
- 2. ALL DIMENSIONS ARE TO FACE OF CURB UNLESS NOTED OTHERWISE.

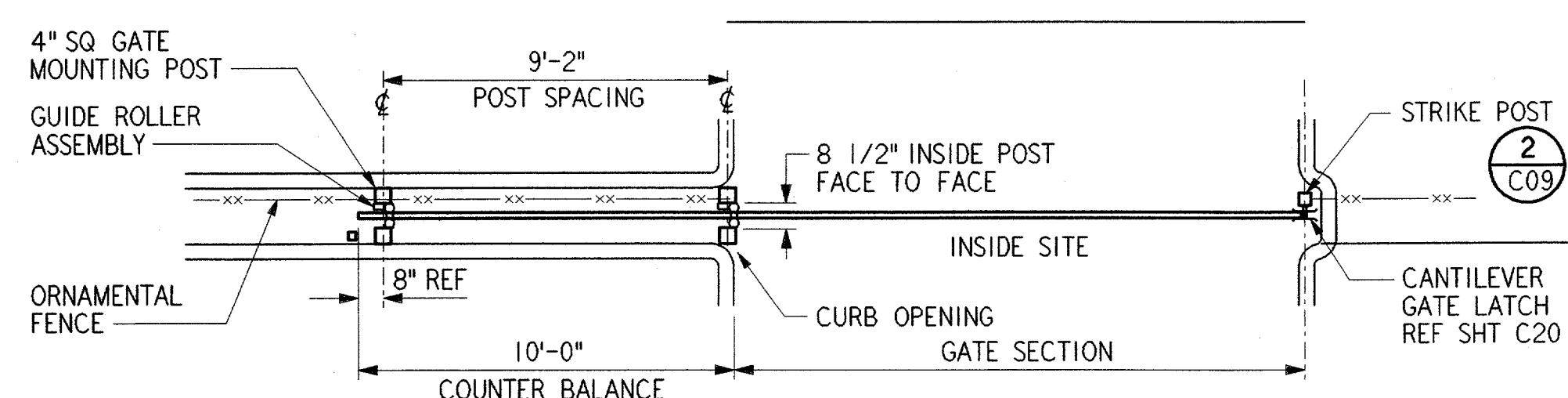
KEYED NOTES:

- ① STOP SIGN. SEE SHEET C14.
- ② PAINTED STOP BAR. SEE SHEET C14.
- ③ INSTALL TYPE II-C-R REFLECTORIZED PAVEMENT MARKERS. SEE SHEET C14.
- ④ DO NOT ENTER SIGN. SEE SHEET C14.
- ⑤ 6" CONCRETE CURB. SEE SHEET C15.
- ⑥ ENTRY KEYPAD, SEE SHEET E66.
- ⑦ SECURITY FENCE
- ⑧ GATE CONTROLLER
- ⑨ EXIT ONLY SIGN. SEE SHEET C14.
- ⑩ GATE RETRACK. LENGTH = GATE WIDTH +12'-0". SEE SHEET C15.



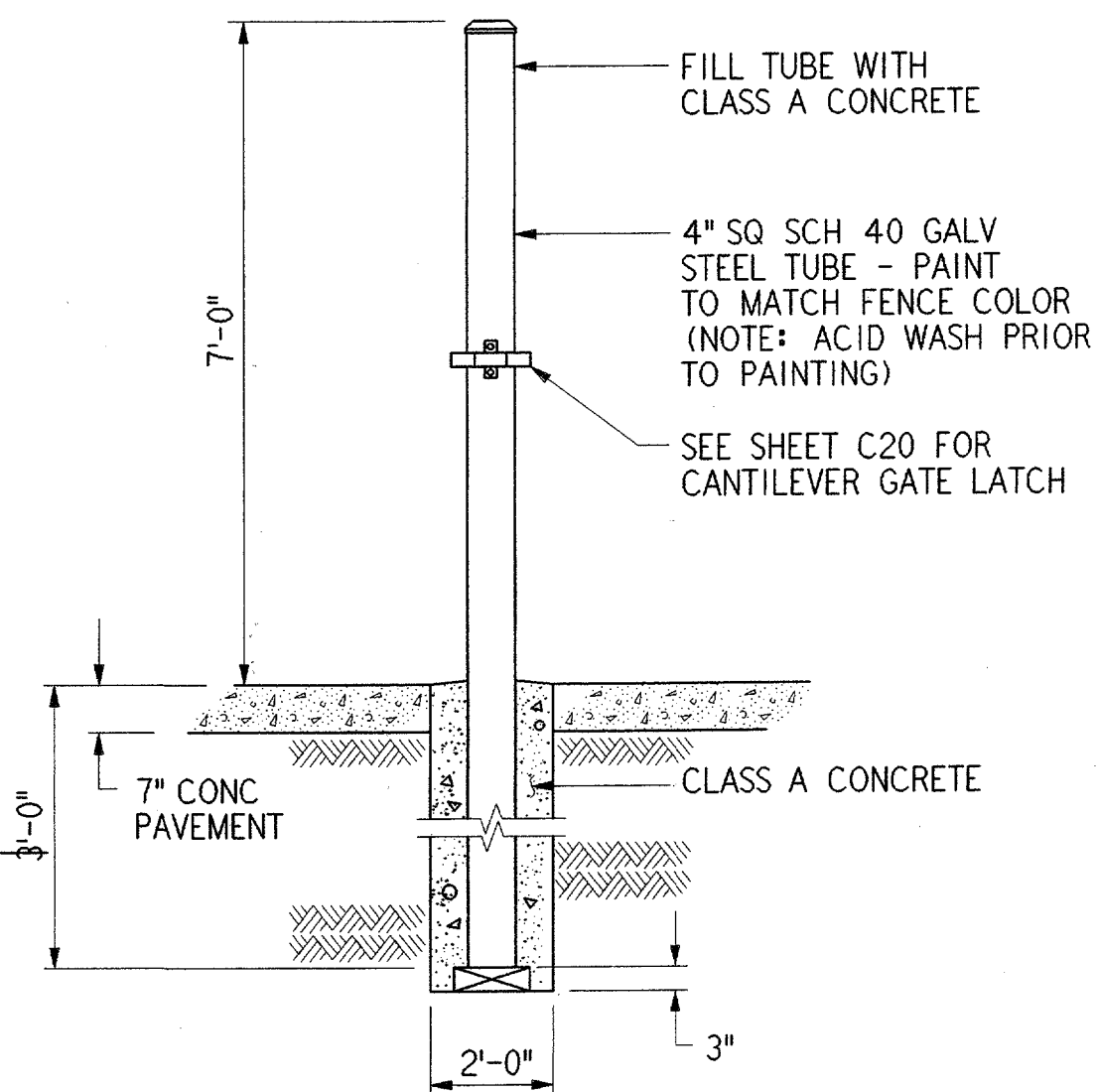
EXIT GATE (NORTH) DETAIL

1" = 10'



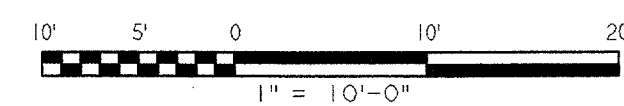
PLAN VIEW - CANTILEVER GATE

NTS



STRIKE POST

NTS



REVISIONS:

REV.	DATE	DESCRIPTION	DFTG.	CHECKED

DESIGNED BY: R. YOUNG
 REVIEWED BY: L. POND
 ORIG. DFT.: J. MILLER
 FACILITY:

6/22/01

DALLAS, TX

DEPARTMENT OF TRANSPORTATION
 FEDERAL AVIATION ADMINISTRATION
 SOUTHWEST REGION FORT WORTH, TEXAS

LOW ACTIVITY LEVEL
 AIRPORT TRAFFIC CONTROL TOWER

ENTRANCE/EXIT GATE DETAILS

ADDISON (ADDISON AIRPORT) TEXAS

DESIGNED BY: R. YOUNG
 REVIEWED BY: L. POND
 ORIG. DFT.: J. MILLER
 FACILITY:

ISSUED BY: AIRWAY FACILITIES DIVISION
 DATE: 06-22-01
 DRAWING NUMBER: ADS-ATCT-C09

C09