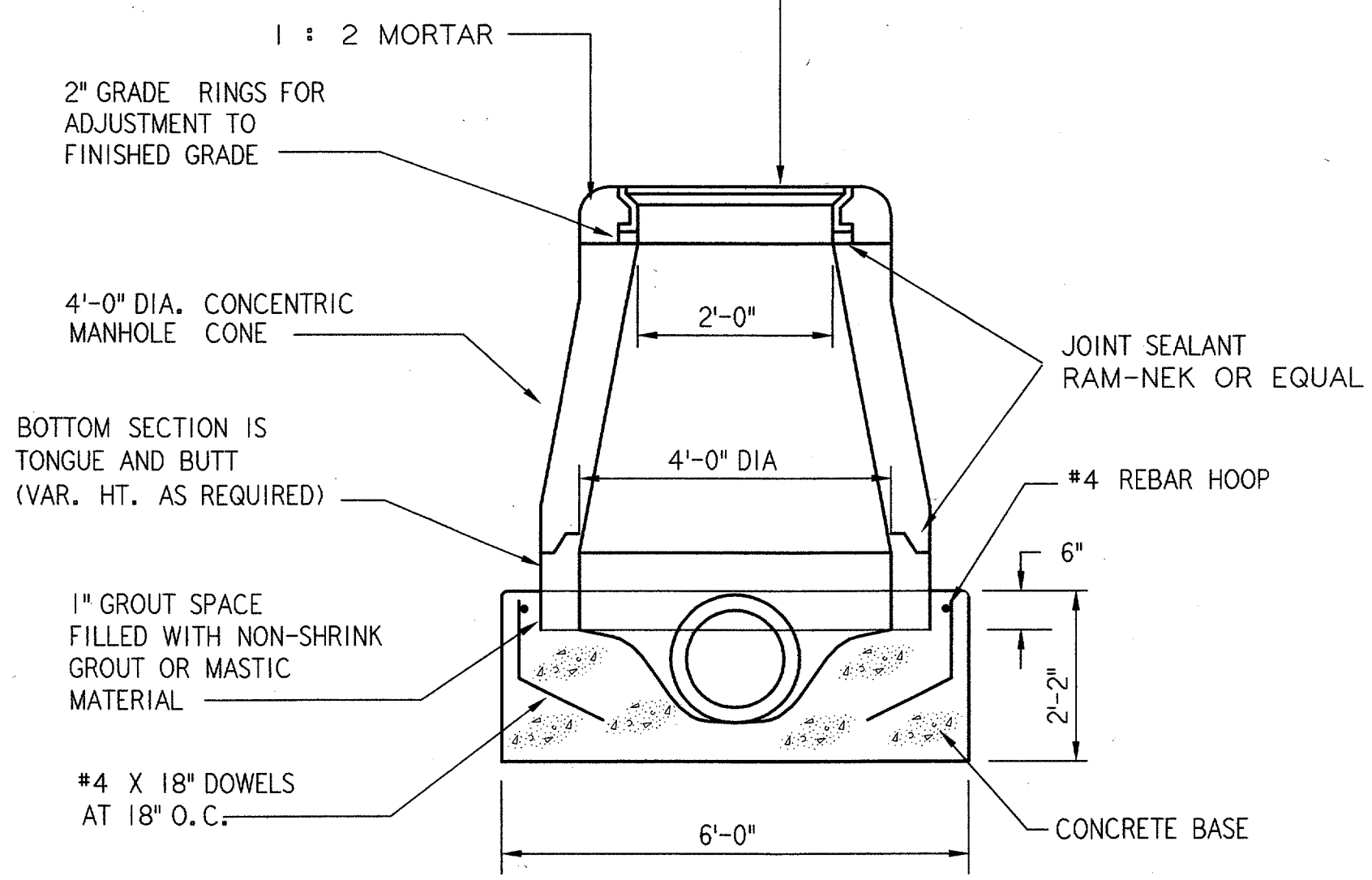


GENERAL NOTES:

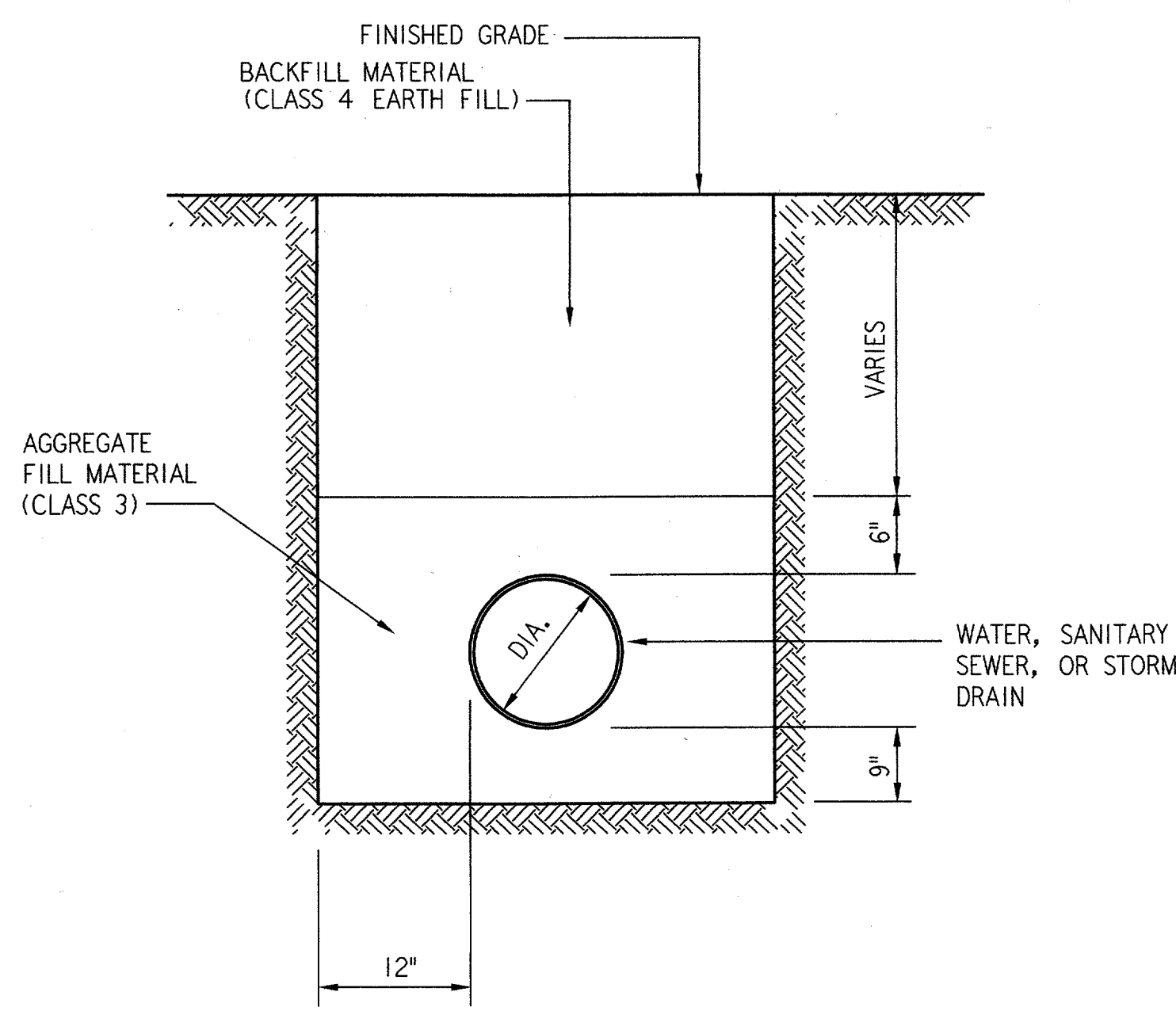
- 1. ALL FITTINGS TO BE MECHANICAL JOINT UNLESS OTHERWISE SPECIFIED.
- 2. HYDRANTS SHALL STAND PLUMB AND WITH THE PUMPER NOZZLE SET TOWARD THE STREET.

NOTE:
RISERS MAY BE ADDED AS NECESSARY
BOTTOM SECTION IS TONGUE AND BUTT (VAR. HT. AS REQ'D.)

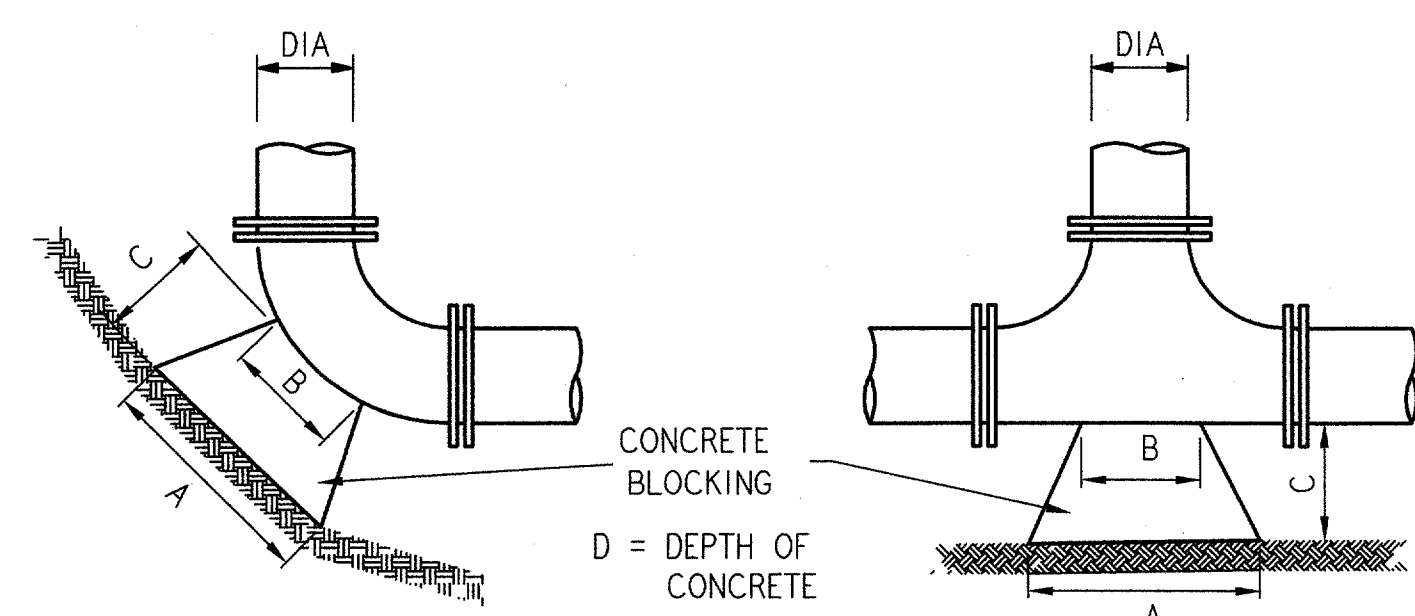


- NOTES:
- 1. MANHOLE RISER PIPE AVAILABLE IN LENGTHS OF ONE (1) TWO (2), THREE (3), OR FOUR (4) FEET.
 - 2. MAXIMUM HEIGHT OF MANHOLES SHALL BE 10'-0".
 - 3. PROVIDE STEPS INSIDE MANHOLES AT 15" ON CENTER. PER SECTION 2.03 C, OF SPECIFICATION 02605.
 - 4. A MAXIMUM OF 4 GRADE RINGS WILL BE ALLOWED TO RAISE MANHOLE COVER TO FINISHED GRADE

ASTM C478
MANHOLE FOR SANITARY SEWER
AND STORM DRAINS
NTS



PIPE EMBEDMENT
NTS



HORIZONTAL BENDS

DIA	A	B	C	D
2"	5'-0"	2'-8"	1'-0"	0'-8"
3"	5'-0"	2'-8"	1'-0"	0'-8"
4"	5'-0"	2'-8"	1'-0"	0'-8"
6"	6'-0"	3'-0"	1'-6"	1'-0"
8"	6'-0"	3'-0"	1'-6"	1'-0"

TEES

DIA	A	B	C	D
2"	2'-0"	1'-0"	1'-0"	0'-8"
3"	2'-0"	1'-0"	1'-0"	0'-8"
4"	2'-0"	1'-0"	1'-0"	0'-8"
6"	2'-6"	1'-3"	1'-6"	1'-0"
8"	2'-6"	1'-3"	1'-6"	1'-0"

HORIZONTAL BLOCKING
FOR WATER MAINS
NTS

REV. DATE DESCRIPTION DFTG. CHECKED

DALLAS, TX

DEPARTMENT OF TRANSPORTATION
FEDERAL AVIATION ADMINISTRATION
SOUTHWEST REGION FORT WORTH, TEXAS

LOW ACTIVITY LEVEL
AIRPORT TRAFFIC CONTROL TOWER

UTILITY DETAILS

ADDISON (ADDISON AIRPORT) TEXAS

DESIGNED BY: R. YOUNG
REVIEWED BY: L. POND
ORIG. DPT.: J. MILLER
FACILITY:

ISSUED BY:
AIRWAY FACILITIES
DIVISION

DATE: 06-22-01
DRAWING NUMBER:
ADS-ATCT- C13

C13