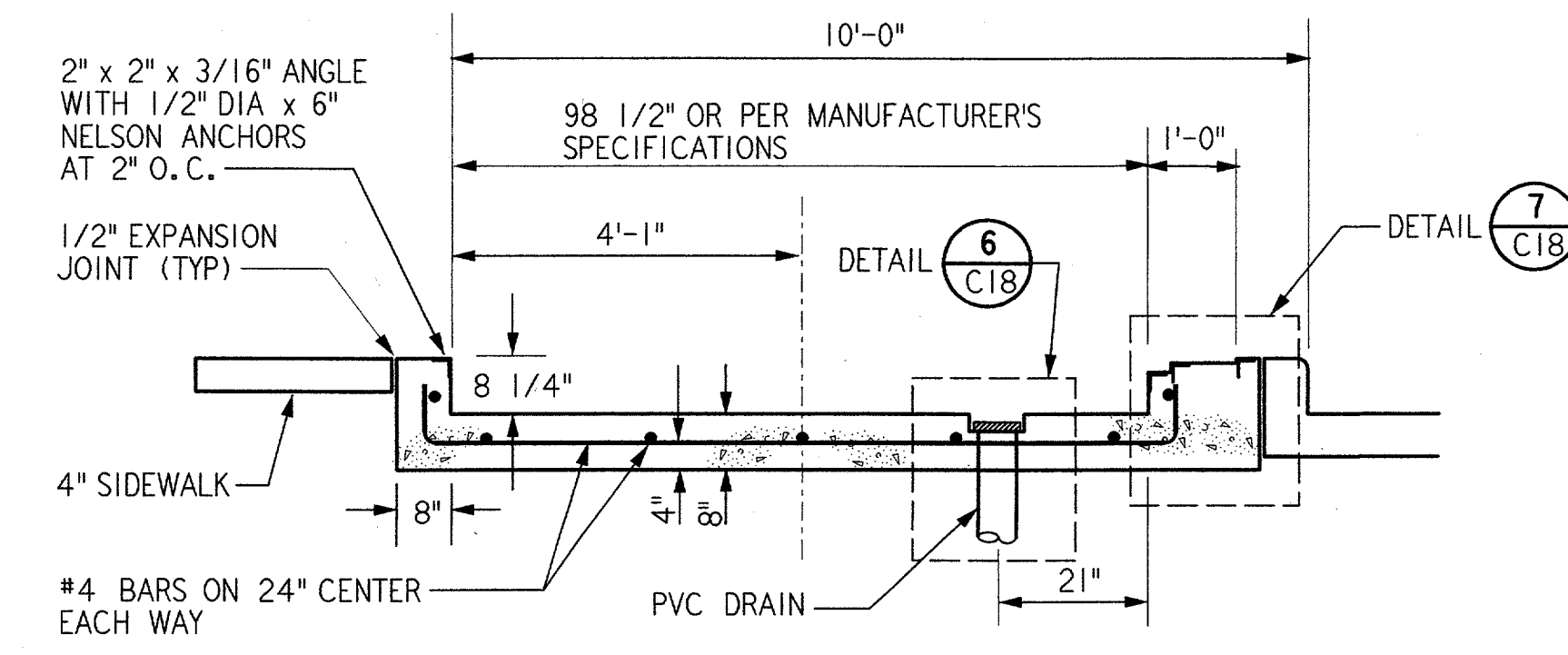
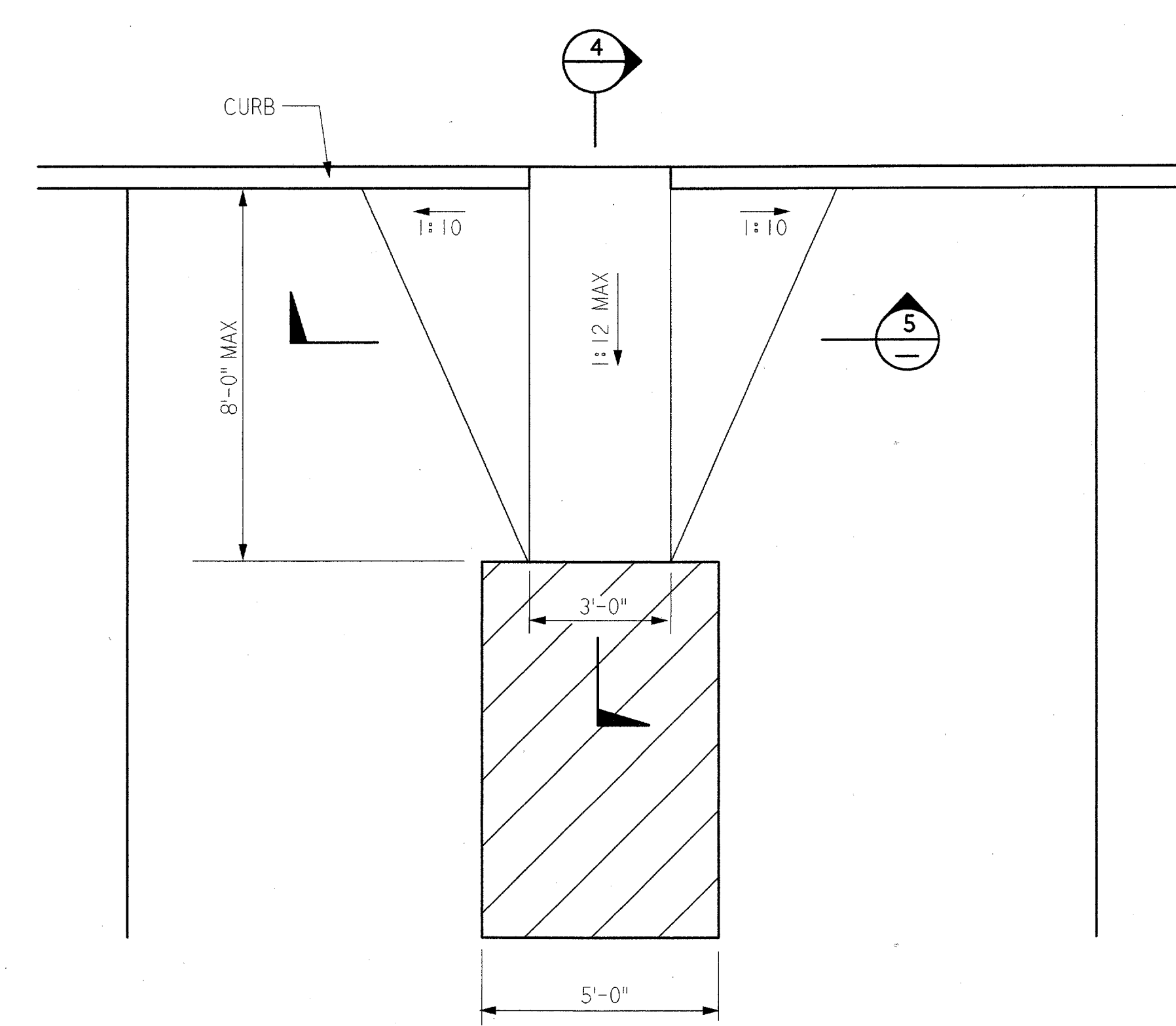


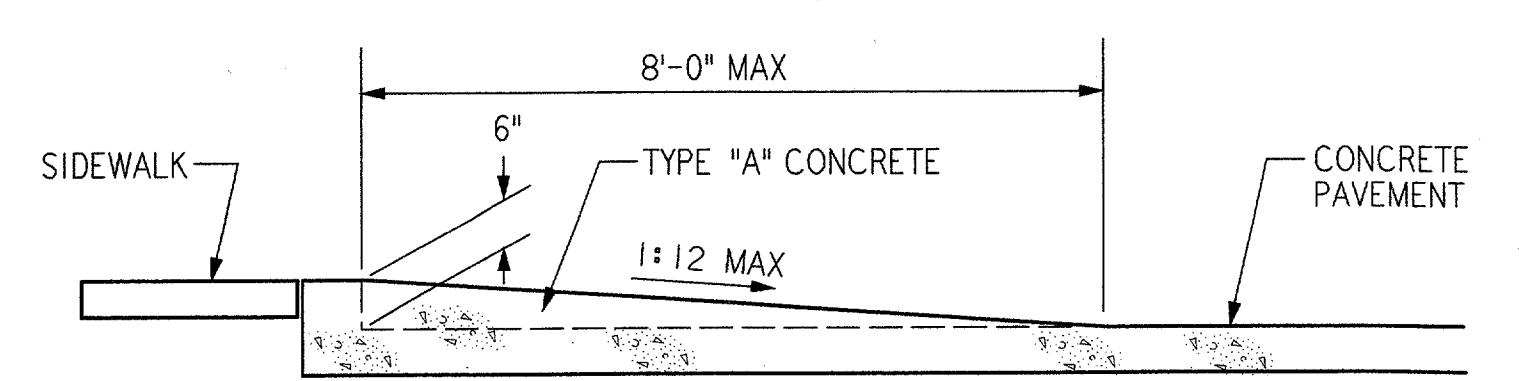
SECTION 1 NTS REF C05



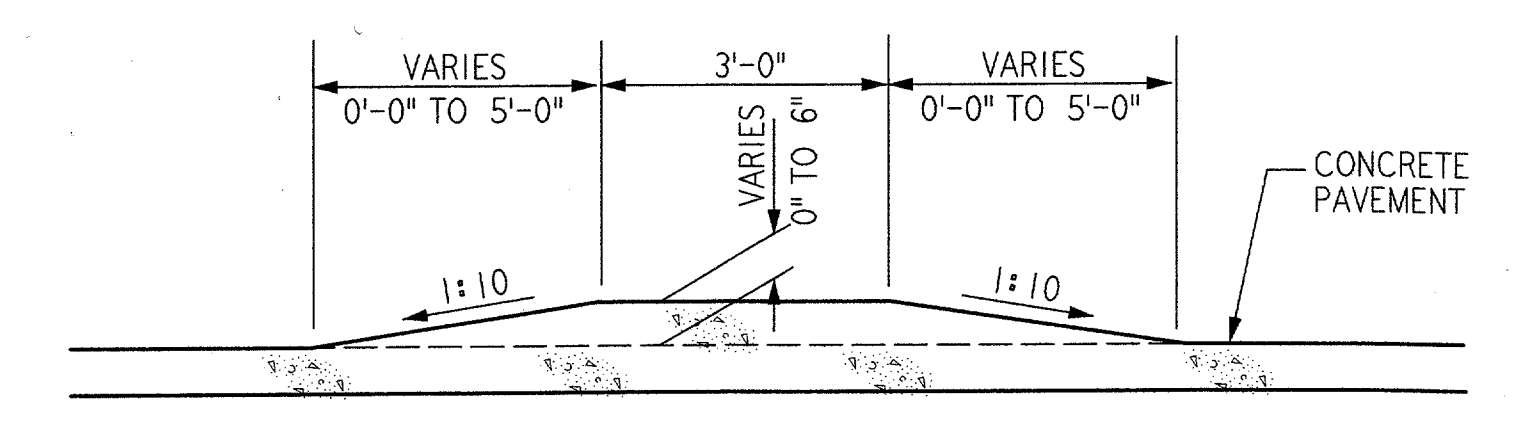
SECTION 2 NTS REF C05



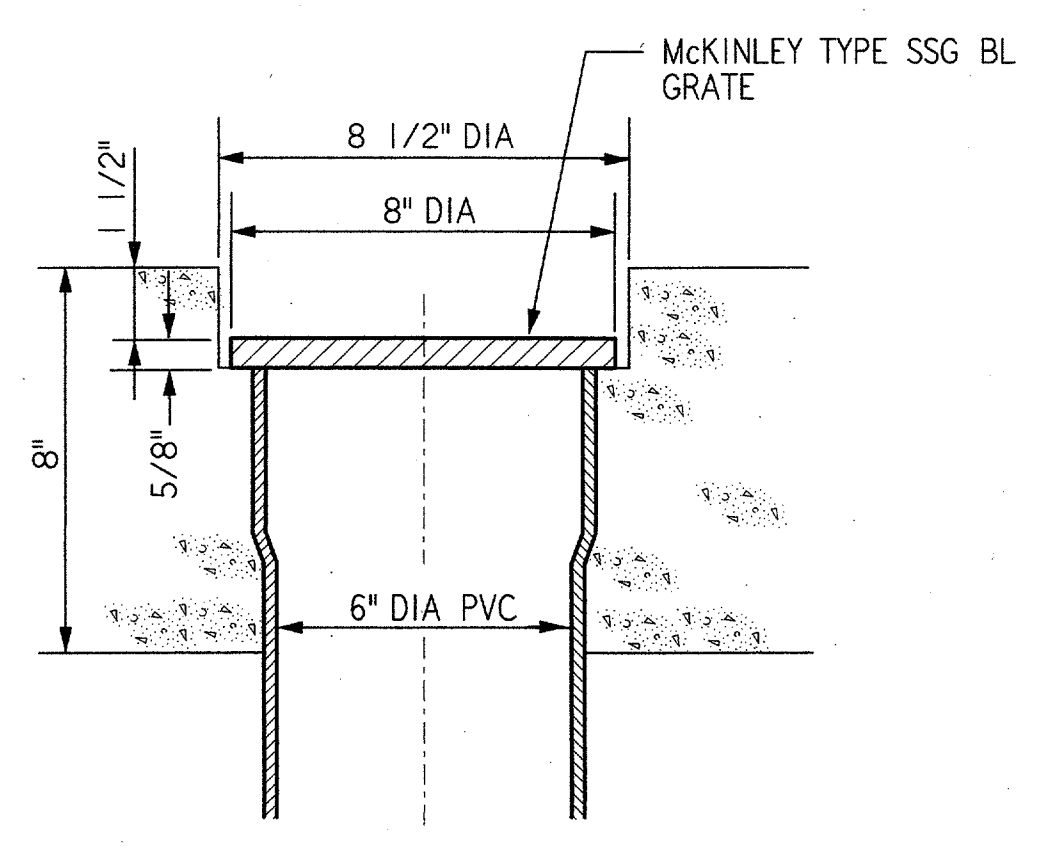
HANDICAP RAMP DETAIL 3 NTS REF C05



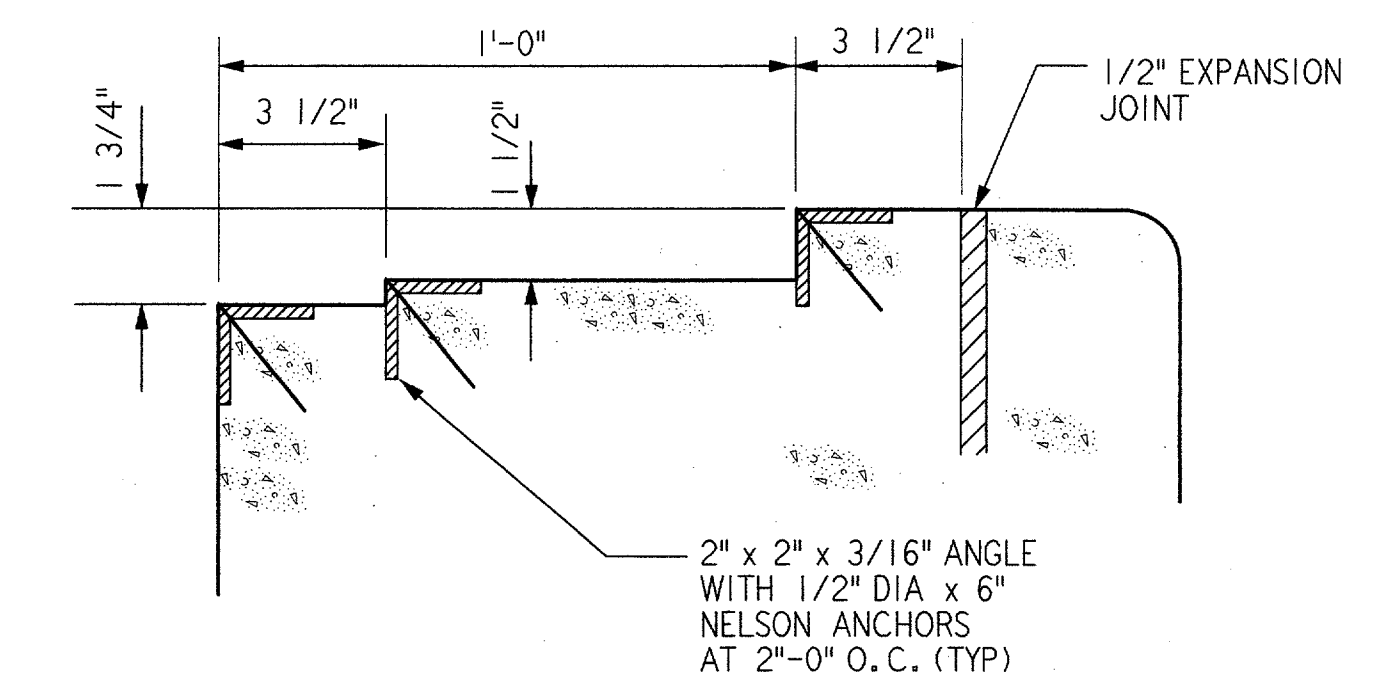
SECTION 4 NTS C18



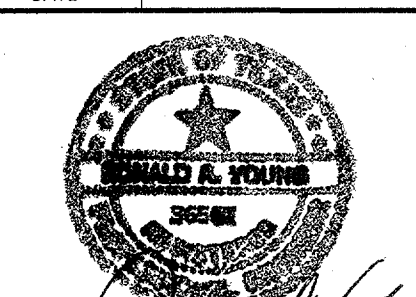

SECTION 5 NTS C18



DETAIL 6 NTS REF C05



DETAIL 7 NTS REF C05

REV.	DATE	DESCRIPTION	DFTG.	CHECKED
 				
DESIGNED: R. YOUNG		ISSUED BY: AIRWAY FACILITIES DIVISION		DATE: 06-22-01
REVIEWED: L. POND		DRAWING NUMBER: ADS-ATCT-C18		
ORIG. DFT.: J. MILLER		FACILITY:		
6/22/01		DALLAS, TX		

C18

DEPARTMENT OF TRANSPORTATION  
FEDERAL AVIATION ADMINISTRATION  
SOUTHWEST REGION FORT WORTH, TEXAS  
LOW ACTIVITY LEVEL  
AIRPORT TRAFFIC CONTROL TOWER

MISCELLANEOUS SECTIONS AND DETAILS

ADDISON (ADDISON AIRPORT) TEXAS

SUBMITTED: *Randy Ray* APPROVED: *Chris Clark*

DESIGNED: R. YOUNG SYSTEMS ENGINEER, ANI-640 MANAGER TERMINAL PLATFORM, ANI-640

ISSUED BY: AIRWAY FACILITIES DIVISION

DATE: 06-22-01 DRAWING NUMBER: ADS-ATCT-C18