

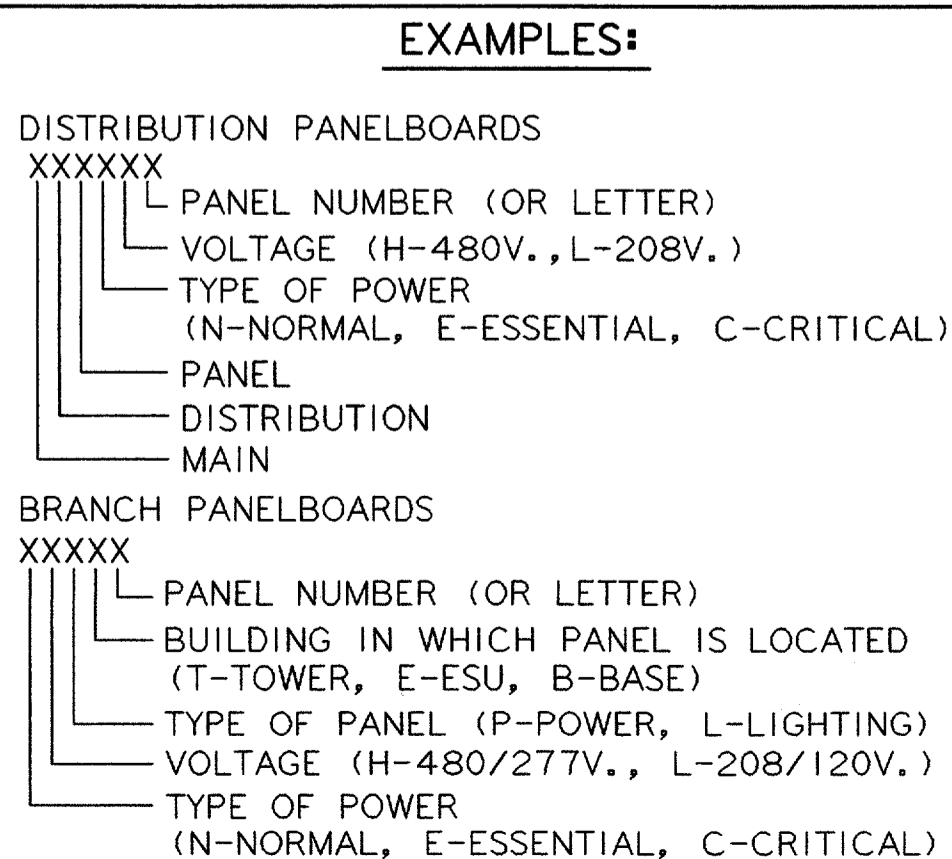
ELECTRICAL ABBREVIATIONS

ELECTRICAL LEGEND

|                |                                       |                      |                                      |
|----------------|---------------------------------------|----------------------|--------------------------------------|
| <b>A</b>       | AMPERE                                | <b>E (CONTINUED)</b> | <b>N (CONTINUED)</b>                 |
| AC             | ALTERNATING CURRENT OR AIR COMPRESSOR | EQUIP                | NATIONAL ELECTRIC CODE               |
| A/C            | AIR CONDITIONING                      | EUH                  | UNIT HEATER                          |
| ADJ            | ADJACENT OR ADJUSTABLE                | EW                   | EACH WAY                             |
| AFF            | ABOVE FINISH FLOOR                    | EWC                  | ELECTRIC WATER COOLER                |
| AHU            | AIR HANDLING UNIT                     | EWB                  | ELECTRIC WATER HEATER                |
| AIC            | AMPERES INTERRUPTING CAPACITY         | EXH                  | EXHAUST                              |
| AL             | ALUMINUM                              | EXIST                | EXISTING                             |
| ALT            | ALTERNATE                             | EXP                  | EXPOSED                              |
| ANOD           | ANODIZED                              | EXPN                 | EXPANSION                            |
| APPROX         | APPROXIMATELY                         | EXT                  | EXTERIOR                             |
| ARCH           | ARCHITECT/ARCHITECTURAL               | <b>F</b>             | <b>F (CONTINUED)</b>                 |
| ARTS           | AUTOMATIC RADAR TERMINAL SYSTEM       | F                    | FAHRENHEIT                           |
| ATB            | AIR TERMINAL BOX                      | FA                   | FIRE ALARM                           |
| ATC            | ACOUSTICAL TILE CEILING               | FCU                  | FAN COIL UNIT                        |
| ATCT           | AIRPORT TRAFFIC CONTROL TOWER         | FD                   | FIRE DAMPER                          |
| AUX            | AUXILIARY                             | FDN                  | FOUNDATION                           |
| AVG            | AVERAGE                               | FE                   | FIRE EXTINGUISHER                    |
| AWG            | AMERICAN WIRE GAUGE                   | FEC                  | FIRE EXTINGUISHER CABINET            |
| <b>B</b>       | <b>B (CONTINUED)</b>                  | FH                   | FIRE HYDRANT                         |
| BD             | BOARD                                 | FHC                  | FIRE HOSE CABINET                    |
| BKR            | BREAKER                               | FIN                  | FINISH                               |
| BLDG           | BUILDING                              | FIX/FIXT             | FIXTURE                              |
| BOD            | BOTTOM OF DUCT                        | FL/FLR               | FLOOR                                |
| BOP            | BOTTOM OF PIPE                        | FP                   | FIRE PUMP                            |
| BOT            | BOTTOM OF TRAY                        | FR                   | FIRE RATED                           |
| BP             | BOOSTER PUMP                          | FT                   | FEET                                 |
| BTU            | BRITISH THERMAL UNIT                  | FVC                  | FIRE VALVE CABINET                   |
| <b>C</b>       | <b>C (CONTINUED)</b>                  | <b>G</b>             | <b>G (CONTINUED)</b>                 |
| CAB            | CABINET                               | GA                   | GAGE                                 |
| CB             | CIRCUIT BREAKER                       | GALV                 | GALVANIZED                           |
| CD             | CONTROL DAMPER                        | GEN                  | GENERATOR                            |
| CC             | COOLING COIL                          | GFI                  | GROUND FAULT INTERRUPTING            |
| C/C            | CENTER TO CENTER                      | GFM                  | GOVERNMENT FURNISHED                 |
| CFM            | CUBIC FEET/MINUTE                     | G/GND                | GROUND                               |
| CF             | CEILING FAN                           | H                    | HEATING COIL                         |
| CH             | CHILLER                               | HC                   | HEAT EXCHANGER                       |
| CKT            | CIRCUIT                               | HORIZ                | HORIZONTAL                           |
| CL             | CENTERLINE                            | HP                   | HORSE POWER/HEAT PUMP                |
| CLG            | CEILING                               | HR                   | HOUR                                 |
| CLR            | CLEAR                                 | HT                   | HEIGHT                               |
| CO             | CONDUIT ONLY                          | HTG                  | HEATING                              |
| COL            | COLUMN                                | HTR                  | HEATER                               |
| COMB           | COMBINATION/COMBINE                   | HVAC                 | HEATING/VENTILATING/AIR CONDITIONING |
| CONC           | CONCRETE                              | HW                   | HOT WATER                            |
| COND           | CONDITION                             | HZ                   | HERTZ                                |
| CONN           | CONNECTION                            | I                    | ISOLATED GROUND                      |
| CONST          | CONSTRUCTION                          | IG                   | ISOLATED GROUND                      |
| CONT           | CONTINUOUS                            | J                    | JUNCTION                             |
| CONTR          | CONTRACTOR                            | JAN                  | JANITOR                              |
| CP OR CNTR PNL | CONTROL PANEL                         | JB                   | JUNCTION BOX                         |
| CTR            | CENTER                                | JP                   | JOCKEY PUMP                          |
| CU             | CONDENSING UNIT                       | <b>K</b>             | <b>K (CONTINUED)</b>                 |
| CUH            | CABINET UNIT HEATER                   | KCMIL                | THOUSAND CIRCULAR MILLS              |
| CV             | CENTRAL VACUUM                        | KV                   | KILOVOLT                             |
| CW             | COLD WATER                            | KVA                  | KILOVOLT AMPERE                      |
| CWP            | CHILLED WATER PUMP                    | KW                   | KILOWATT                             |
| <b>D</b>       | <b>D (CONTINUED)</b>                  | <b>L</b>             | <b>L (CONTINUED)</b>                 |
| DET            | DETAIL                                | L                    | LENGTH                               |
| DIA            | DIAMETER                              | LF                   | LINEAR FEET                          |
| DIAG           | DIAGRAM                               | LT                   | LIGHT                                |
| DISC           | DISCONNECT                            | LTG                  | LIGHTING                             |
| DISP           | DISPENSER                             | LTNG                 | LIGHTNING                            |
| DIST           | DISTRIBUTION                          | LVL                  | LEVEL                                |
| DN             | DOWN                                  | <b>M</b>             | <b>M (CONTINUED)</b>                 |
| DP             | DEEP                                  | MTR                  | MOTOR                                |
| DR             | DOOR                                  | MAINT                | MAINTENANCE                          |
| DWG            | DRAWING                               | MAX                  | MAXIMUM                              |
| <b>E</b>       | <b>E (CONTINUED)</b>                  | MCA                  | MIN CIRCUIT AMPACITY                 |
| EA             | EACH                                  | MCS                  | MOLDED CASE SWITCH                   |
| EDH            | ELECTRIC DUCT HEATER                  | MECH                 | MECHANICAL                           |
| EF             | EXHAUST FAN                           | MFR                  | MANUFACTURER                         |
| E/G            | ENGINE GENERATOR                      | MG                   | MOTOR GENERATOR                      |
| EL             | ELEVATION                             | MGP                  | MAIN GROUND PLATE                    |
| ELEC           | ELECTRIC                              | MH                   | MANHOLE                              |
| ELEV           | ELEVATOR                              | MIN                  | MINIMUM                              |
| EHC            | ELECTRIC HEATING COIL                 | MLO                  | MAIN LUGS ONLY                       |
| EMERG          | EMERGENCY                             | MPPG                 | MULTI POINT GROUND PLATE             |
| EMT            | ELECTRICAL METAL TUBING               | MTD                  | MOUNTED                              |
| EQ             | EQUAL                                 | MTG                  | MOUNTING                             |
|                |                                       | <b>N</b>             | <b>N (CONTINUED)</b>                 |
|                |                                       | NC                   | NEUTRAL NORMALLY CLOSED              |

| SYMBOL | DESCRIPTION   | SYMBOL | DESCRIPTION  |
|--------|---|--------|--|
| (A)    | LIGHT FIXTURE, WALL MOUNTED, LETTER INDICATES TYPE.   | (FA)   | FIRE ALARM CONTROL PANEL, +72" TO TOP OF PANEL   |
| (A)    | LIGHT FIXTURE, CEILING MOUNTED, LETTER INDICATES TYPE.  | (ANN)  | FIRE ALARM ANNUNCIATOR, +72" TO TOP OF PANEL   |
| (A)    | 1'x4' FLUORESCENT LIGHT FIXTURE, SURFACE OR STEM MOUNTED, LETTER INDICATES TYPE.  | (90)   | FIRE ALARM HEAT DETECTOR 90°, FIXED & RATE OF RISE   |
| (A)    | 2'x4' FLUORESCENT LIGHT FIXTURE, CEILING MOUNTED, LETTER INDICATES TYPE, SUBSCRIPT "a" INDICATES SWITCH CONTROL.          | (I)    | FIRE ALARM SMOKE DETECTOR, I=IONIZATION P=PHOTO U=UNDERFLOOR   |
| (A)    | 1'x4' FLUORESCENT LIGHT FIXTURE, CEILING MOUNTED, LETTER INDICATES TYPE, SUBSCRIPT "a" INDICATES SWITCH CONTROL.          | (SD)   | FIRE ALARM DUCT SMOKE DETECTOR   |
| (A)    | FLUORESCENT LIGHT FIXTURE, WALL MOUNTED, LETTER INDICATES TYPE, SUBSCRIPT "a" INDICATES SWITCH CONTROL.                   | (TS)   | TAMPER SWITCH  |
| (A)    | FLUORESCENT LIGHT FIXTURE, CEILING MOUNTED, LETTER INDICATES TYPE, CROSS-HATCH INDICATES EMERGENCY CKT.                   | (WFA)  | WATER FLOW ALARM SWITCH  |
| (A)    | PORCELAIN KEYLESS SOCKET (CROSS-HATCH INDICATES EMERGENCY CKT.)   | (SV)   | SOLENOID VALVE   |
| (A)    | CEILING MOUNTED INCANDESCENT TRACK LIGHT  | (P)    | PRE-ACTION SPRINKLER SYSTEM RISER ASSEMBLY   |
| (A)    | EXIT LIGHT WITH DIRECTIONAL ARROWS, BRACKET MOUNTED, DARKENED SECTION INDICATES FACE OF FIXTURE, +84", SEE SCHEDULE.      | (H)    | HOMERUN TO PANELBOARD, HATCH MARKS INDICATE NUMBER OF WIRES IN CONDUIT, NO HASH MARK INDICATES 3/4" C, 2#12, 1#12 GND., UNLESS OTHERWISE NOTED |
| (A)    | EXIT LIGHT WITH DIRECTIONAL ARROWS, CEILING OR PENDANT MOUNTED, DARKENED SECTION INDICATES FACE OF FIXTURE, SEE SCHEDULE. | (E)    | EXPOSED CONDUIT  |
| (A)    | POLE MOUNTED PARKING LOT LIGHT FIXTURE, LETTER INDICATES TYPE, ROMAN NUMERAL INDICATES IES DISTRIBUTION.                  | (UG)   | CONCEALED CONDUIT  |
| (A)    | SIGN LIGHT, SEE LIGHT FIXTURE SCHEDULE  | (UG)   | UG CONDUIT   |
| (A)    | FLAG POLE LIGHT, SEE LIGHT FIXTURE SCHEDULE   | (D)    | CONDUIT DOWN   |
| (A)    | CONCRETE PULLBOX  | (U)    | CONDUIT UP   |
| (A)    | DUPLEX RECEPTACLE, 20A., 125V., +18" (+48" IN MECHANICAL ROOM)  | (S)    | CONDUIT SEAL   |
| (A)    | SPECIAL RECEPTACLE, RATING AS INDICATED ON PLAN, +18"   | (T)    | TELEPHONE RACEWAY TO TELCO ROOM, 3/4" UNLESS OTHERWISE NOTED   |
| (A)    | DUPLEX RECEPTACLE MOUNTED IN CEILING  | (F)    | FIRE ALARM SYSTEM CIRCUIT  |
| (A)    | MULTI-OUTLET ASSEMBLY, +48", DARKENED SECTIONS INDICATE NUMBER OF OUTLETS.  | (E)    | EMERGENCY CIRCUIT  |
| (A)    | QUADPLEX RECEPTACLE MTD IN COMMON BOX, UNDER SINGLE PLATE +18"  | (TV)   | TELEVISION ANTENNA SYSTEM RACEWAY  |
| (A)    | QUADPLEX RECEPTACLE MTD IN FLOOR  | (UG)   | UNDERGROUND CONDUIT  |
| (A)    | TELEPHONE OUTLET, +18" (WALL MOUNTED AT +48", TYP.)   | (GR)   | GROUND ROD CONNECTION  |
| (A)    | TELEPHONE OUTLET FOR FIRE FIGHTERS, +48"  | (M)    | MOTOR; NUMBER INDICATES HORSEPOWER   |
| (A)    | VOICE/DATA COMMUNICATIONS OUTLET, +18"  | (D)    | DISCONNECT SWITCH, NON-FUSED, UNLESS OTHERWISE NOTED +60"  |
| (A)    | TELEPHONE OUTLET, MTD. IN FLOOR   | (PB)   | PULL BOX - SIZE PER NEC  |
| (A)    | SINGLE POLE TOGGLE SWITCH, SUBSCRIPT "a" INDICATES FIXTURES TO BE CONTROLLED BY SWITCH. +48"                              | (M)    | MOTOR CONTROL PUSH-BUTTON STATION, +60"  |
| (A)    | 3-WAY SWITCH, +48"  | (M)    | MAGNETIC STARTER, +60"   |
| (A)    | 4-WAY SWITCH, +48"  | (M)    | COMBINATION MAGNETIC STARTER W. FUSED DISCONNECT, UNLESS OTHERWISE NOTED, +60"   |
| (A)    | DIMMER SWITCH, +48"   | (T)    | TRANSFORMER, VOLTAGE AS INDICATED  |
| (A)    | SINGLE PHASE MANUAL MOTOR STARTER W/THERMAL ELEMENT. +60"   | (P)    | PUSHBUTTON, +48"   |
| (A)    | MOMENTARY CONTACT SWITCH, +48"  | (F)    | FUSIBLE SWITCH   |
| (A)    | JUNCTION BOX MOUNTED IN WALL  | (C)    | CIRCUIT BREAKER (TYPE AS SPECIFIED)  |
| (A)    | JUNCTION BOX MOUNTED IN CEILING   | (C)    | COPPER CLAD GROUND ROD W/GROUND CABLE  |
| (A)    | JUNCTION BOX FOR RISER MOUNTED IN CEILING   | (F)    | SUBSCRIPT "F" APPLIED TO ANY SYMBOL INDICATES FLOOR MOUNTING   |
| (A)    | CEILING SPEAKER OUTLET  | (GFI)  | GROUND FAULT INTERRUPTING DEVICE   |
| (A)    | WALL SPEAKER OUTLET, +90"   | (K)    | SUBSCRIPT "K" APPLIED TO ANY SYMBOL INDICATES KEY OPERATED   |
| (A)    | DISTRIBUTION PANELBOARD/SWITCHBOARD   | (W)    | SUBSCRIPT "W" APPLIED TO ANY SYMBOL INDICATES DEVICE MOUNTED ON WALL AT +48" UNLESS OTHERWISE INDICATED  |
| (A)    | LIGHTING & APPLIANCE PANELBOARD, +72"   | (WP)   | SUBSCRIPT "WP" APPLIED TO ANY SYMBOL INDICATES WEATHERPROOF NEMA TYPE 4 OR EQUIVALENT  |
| (A)    | TELEPHONE CABINET, +72"   | (GFM)  | GOVERNMENT FURNISHED MATERIAL  |
| (A)    | PHOTO ELECTRIC CELL   | +18"   | MOUNTING HEIGHTS SHOWN (W/SYMBOL) TO CENTER OF DEVICE, AFF   |
| (A)    | WALL MOUNTED SECURITY CAMERA  | (DUG)  | UNDERGROUND ELECTRICAL DUCT BANK   |
| (A)    | FIRE ALARM PULL STATION   | (A)    | AIR TERMINAL   |
| (A)    | FIRE ALARM HORN/STROBE +80"   | (CRS)  | CARD READING SENSOR  |
| (A)    | FIRE ALARM RELAY  | (DS)   | DOOR SWITCH  |
| (A)    | FIRE ALARM STROBE ONLY +80"   | (DL)   | DOOR LOCK  |
| (A)    | DUAL LIGHT EMERGENCY LIGHT WITH BATTERY BACKUP  | (MSM)  | MULTI-SWITCH MONITOR   |
|        |   | (RDP)  | REMOTE DOOR RELEASE PANEL  |
|        |   | (ACU)  | ACCESS CONTROLLER UNIT   |
|        |   | (PB)   | PUSHBUTTON TO EXIT IN SECURE AREA  |
|        |   | (KS)   | KEY BYPASS SWITCH  |

PANEL DESIGNATION DESCRIPTION



|      |              |
|------|--------------|
| W    | WATT         |
| W    | WITH         |
| WH   | WATER HEATER |
| W/O  | WITHOUT      |
| WP   | WEATHERPROOF |
| X    | TRANSFORMER  |
| XFMR | TRANSFORMER  |
| Y    |              |
| Z    |              |

| REV. | DATE | DESCRIPTION | DFTG. | CHECKED |
|------|------|-------------|-------|---------|
|      |      |             |       |         |
|      |      |             |       |         |

G07

DEPARTMENT OF TRANSPORTATION  
 FEDERAL AVIATION ADMINISTRATION  
 SOUTHWEST REGION FORT WORTH, TEXAS

LOW ACTIVITY LEVEL  
 AIRPORT TRAFFIC CONTROL TOWER

LEGENDS AND ABBREVIATIONS  
 ELECTRICAL  
 (ADDISON AIRPORT) TEXAS

ADDISON SUBMITTED: *[Signature]* APPROVED: *[Signature]*

DESIGNED: A. SMITH  
 REVIEWED: B. EISENRICH  
 ORIG. DFT.: R. RUTGER  
 FACILITY:

ISSUED BY: AIRWAY FACILITIES DIVISION  
 DRAWING NUMBER: ADS-ATCT-G07

DATE: 06-22-01

MANAGER INFRASTRUCTURE PLATFORM, ANI-630

PARSONS  
 DALLAS, TX