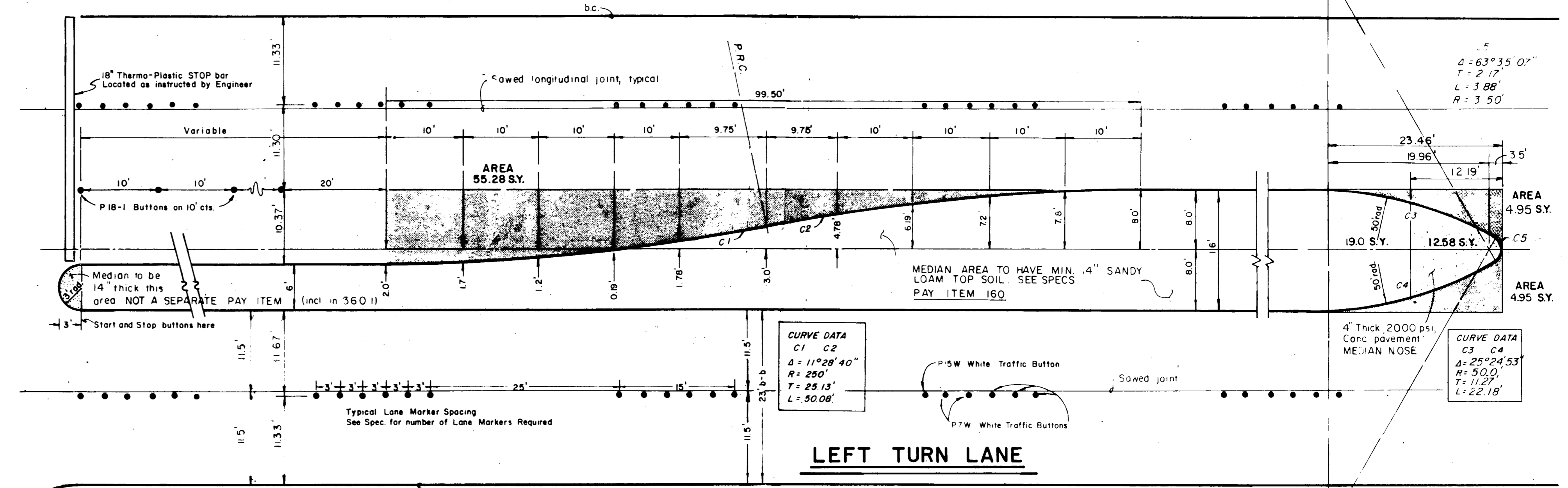
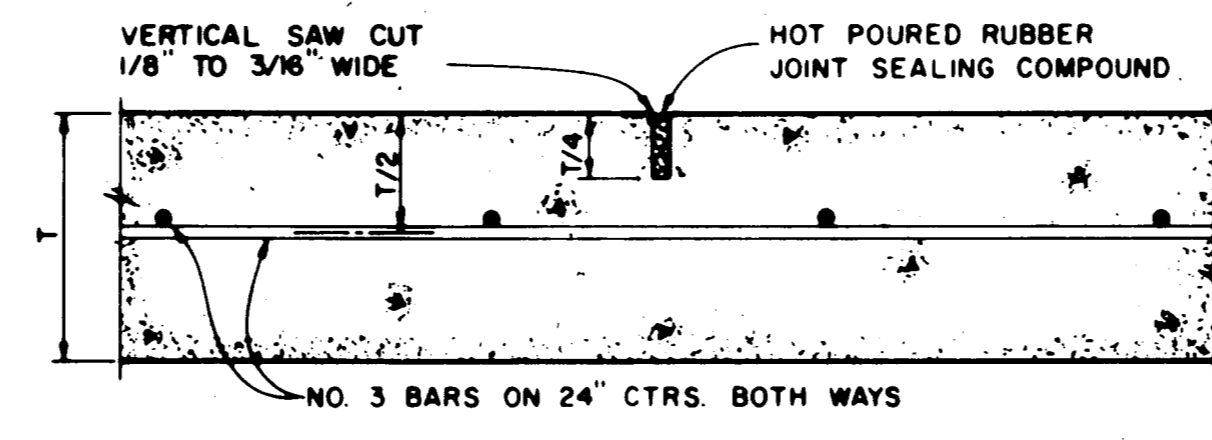


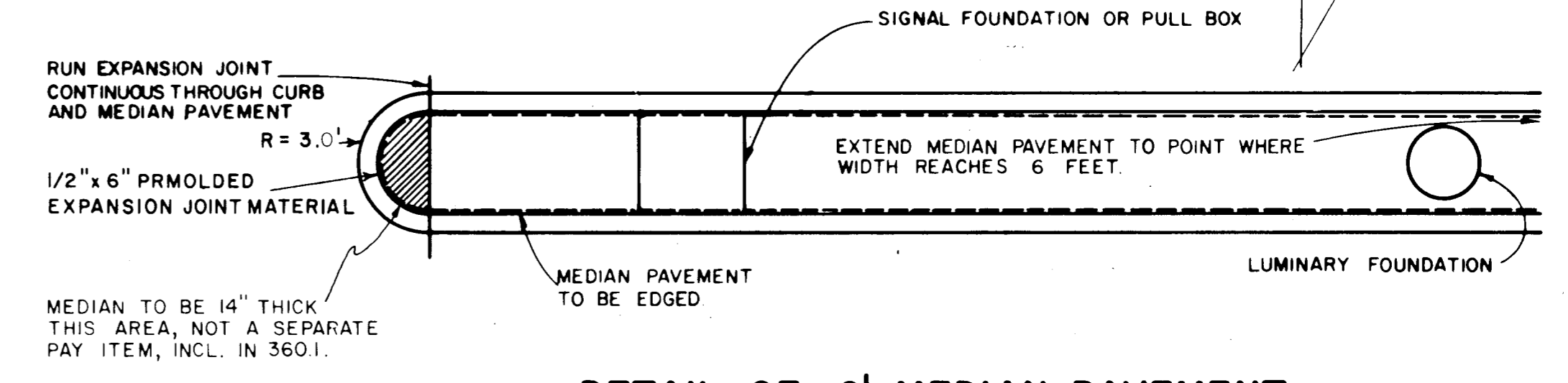
SPACING DIAGRAM FOR TRANSVERSE JOINTS



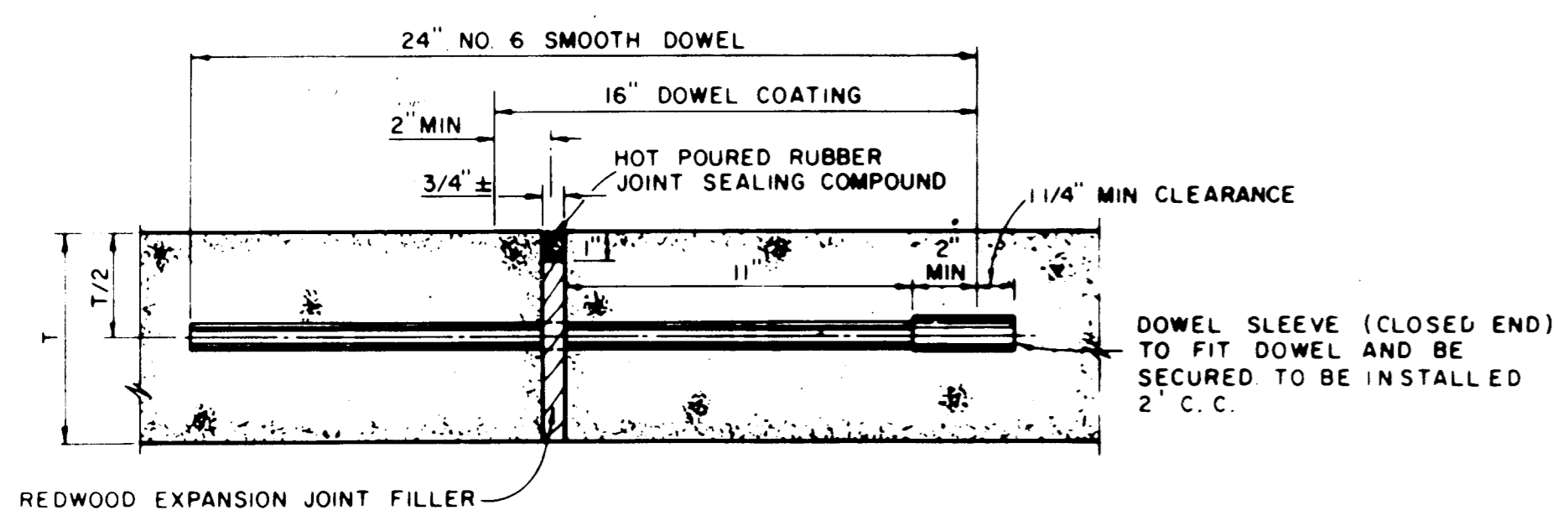
LEFT TURN LANE



SAWED DUMMY JOINT



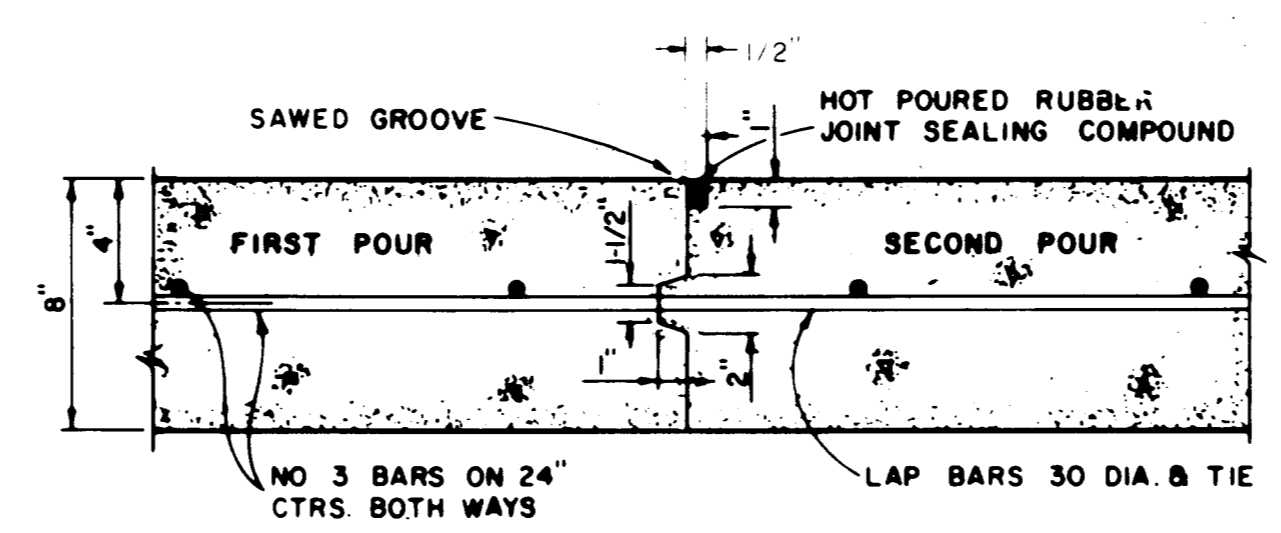
DETAIL OF 6' MEDIAN PAVEMENT



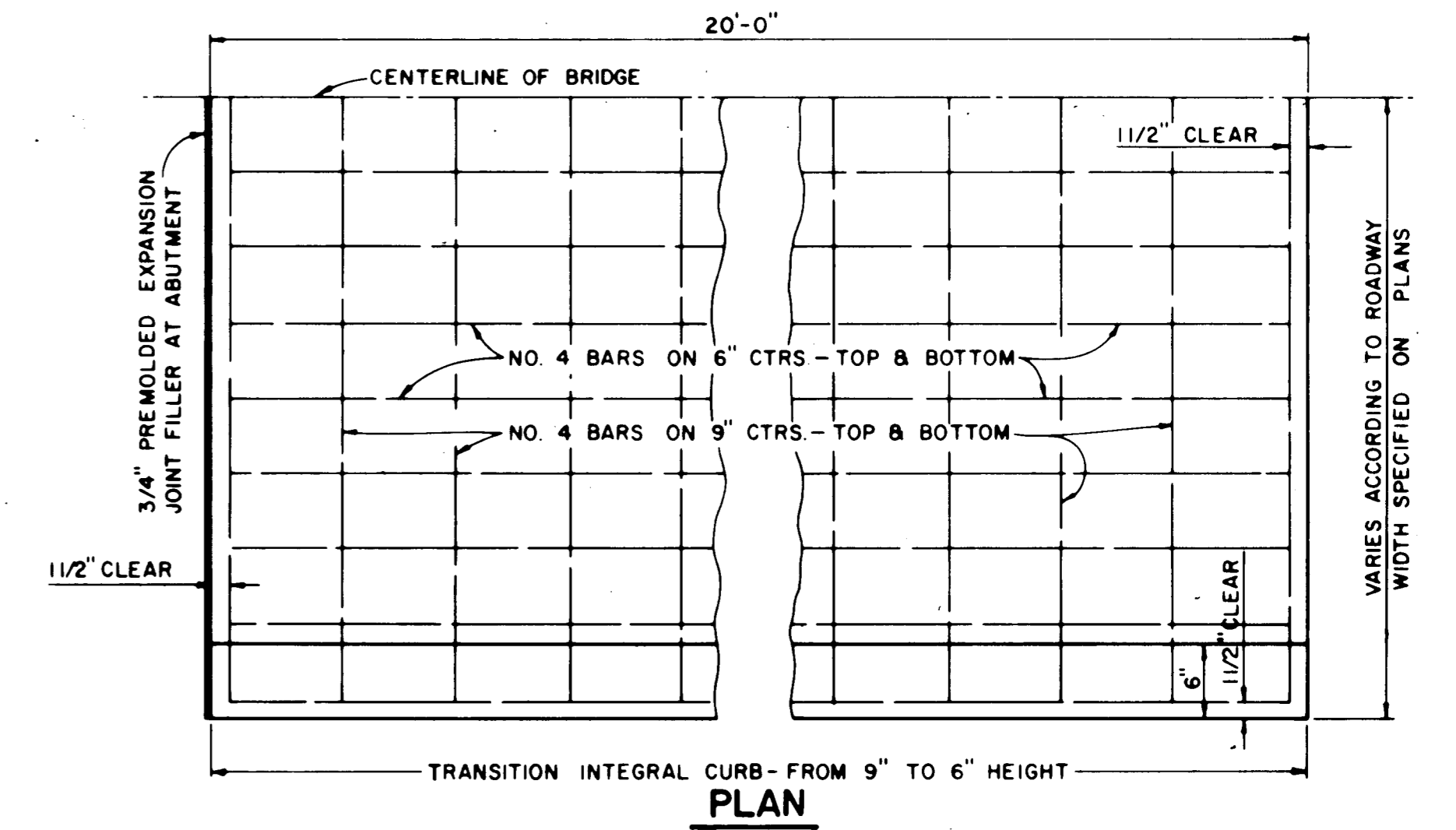
TRANSVERSE EXPANSION JOINT

(SPACED 600 FT MAXIMUM; LOCATE AT INTERSECTIONS)

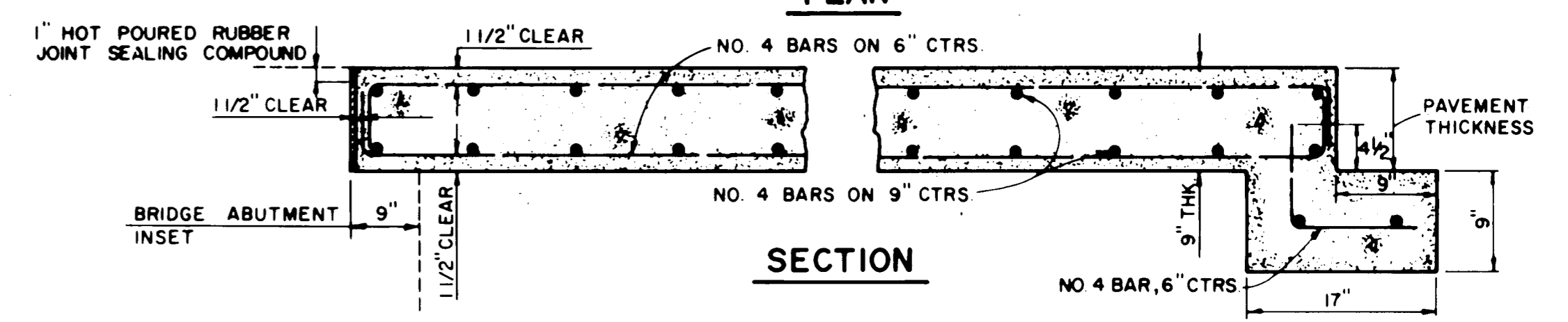
NOTE
DOWELS AND REINFORCING BARS SHALL BE SUPPORTED BY AN APPROVED DEVICE



CONSTRUCTION JOINT FOR 8\"/>

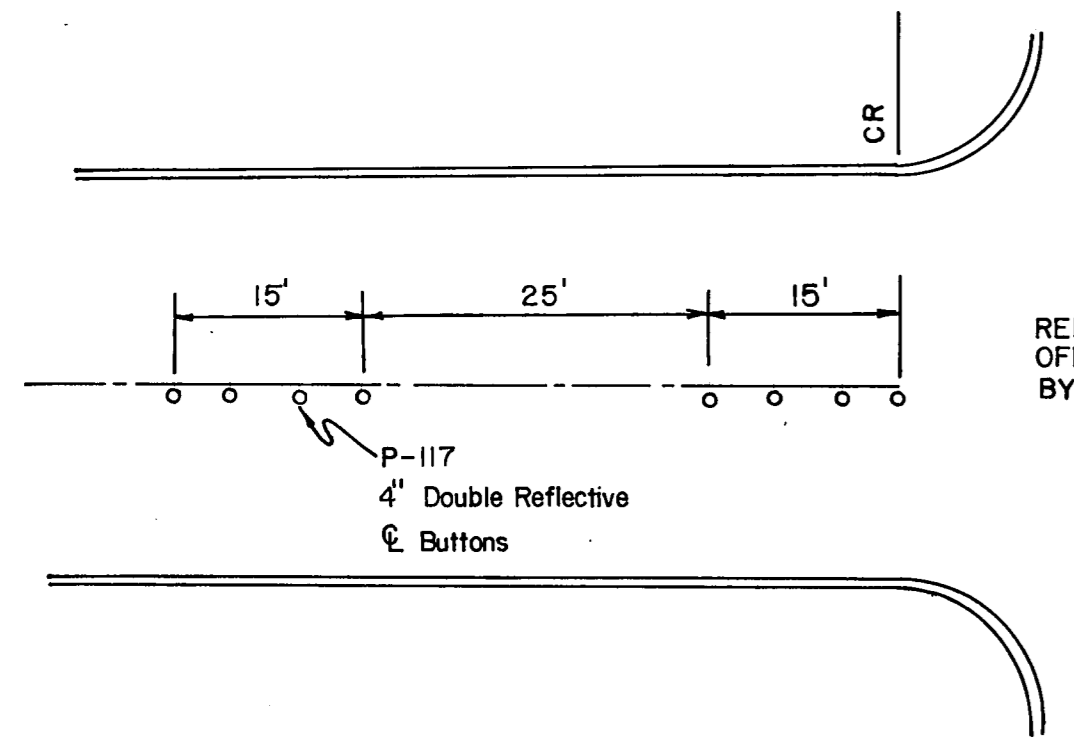


PLAN



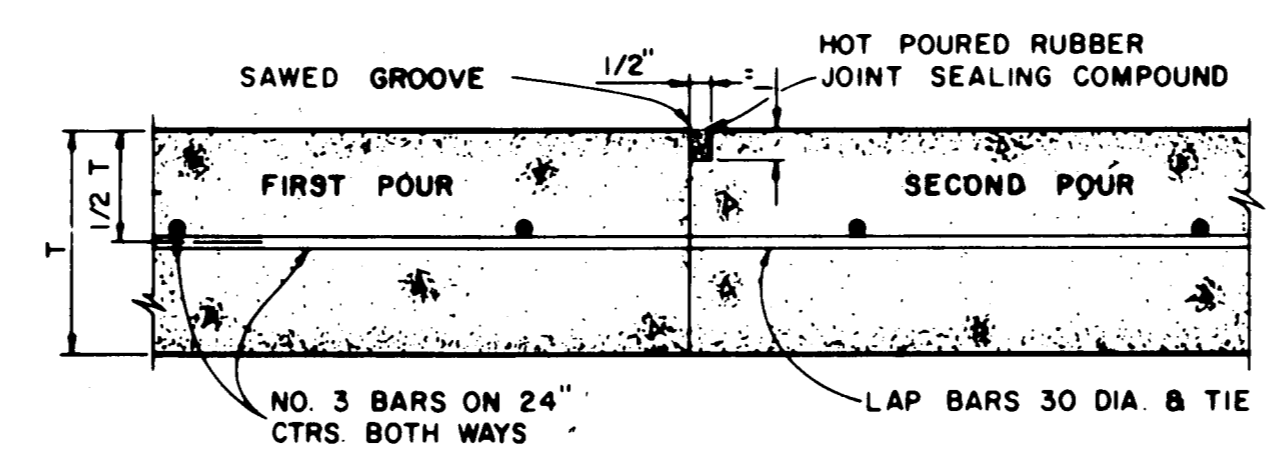
SECTION

BRIDGE APPROACH SLAB



STANDARD BUTTON LAYOUT

REFLECTORS PLACED 4\"/>



CONSTRUCTION JOINT FOR 5\"/>



NO.	REVISION	BY	DATE
TOWN OF ADDISON, TEXAS DEPARTMENT OF ENGINEERING			
STANDARD CONSTRUCTION DETAILS PAVING			
PAVEMENT JOINTS			
APPROVED _____		H. WAYNE GINN, P.E.	
DATE MARCH, 1984		SHEET SD-3	