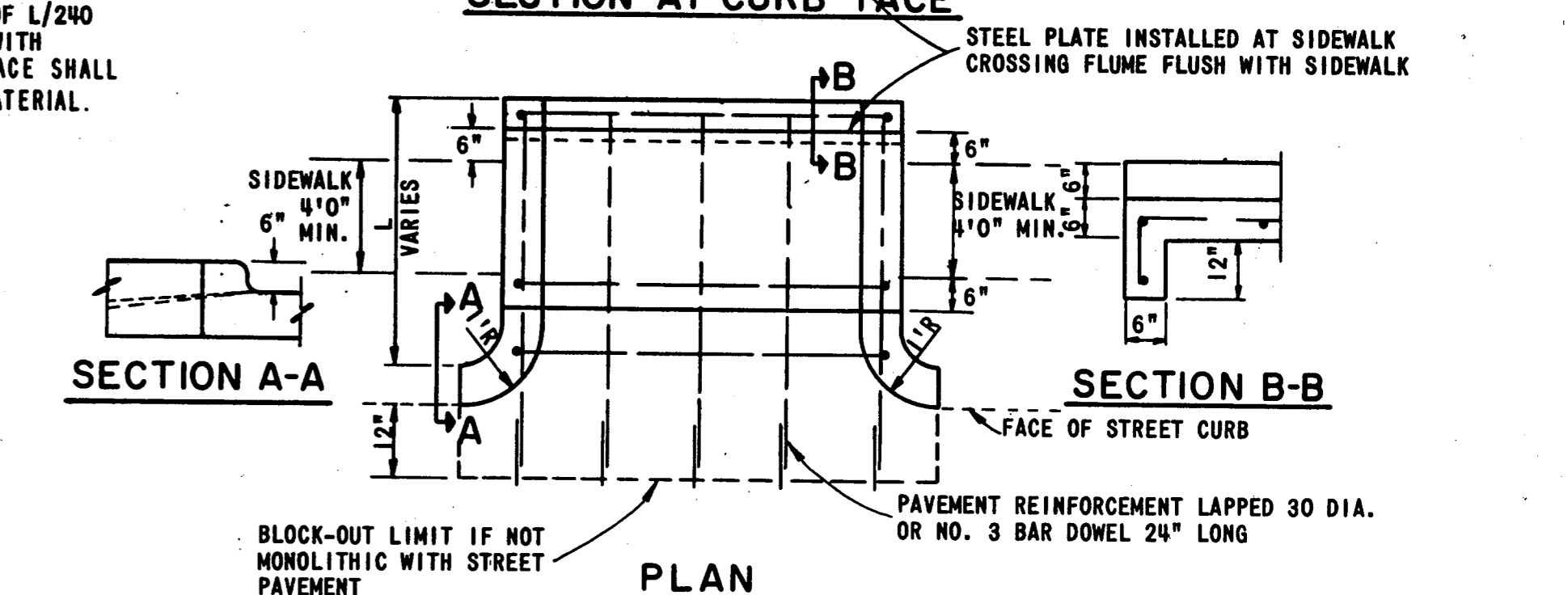
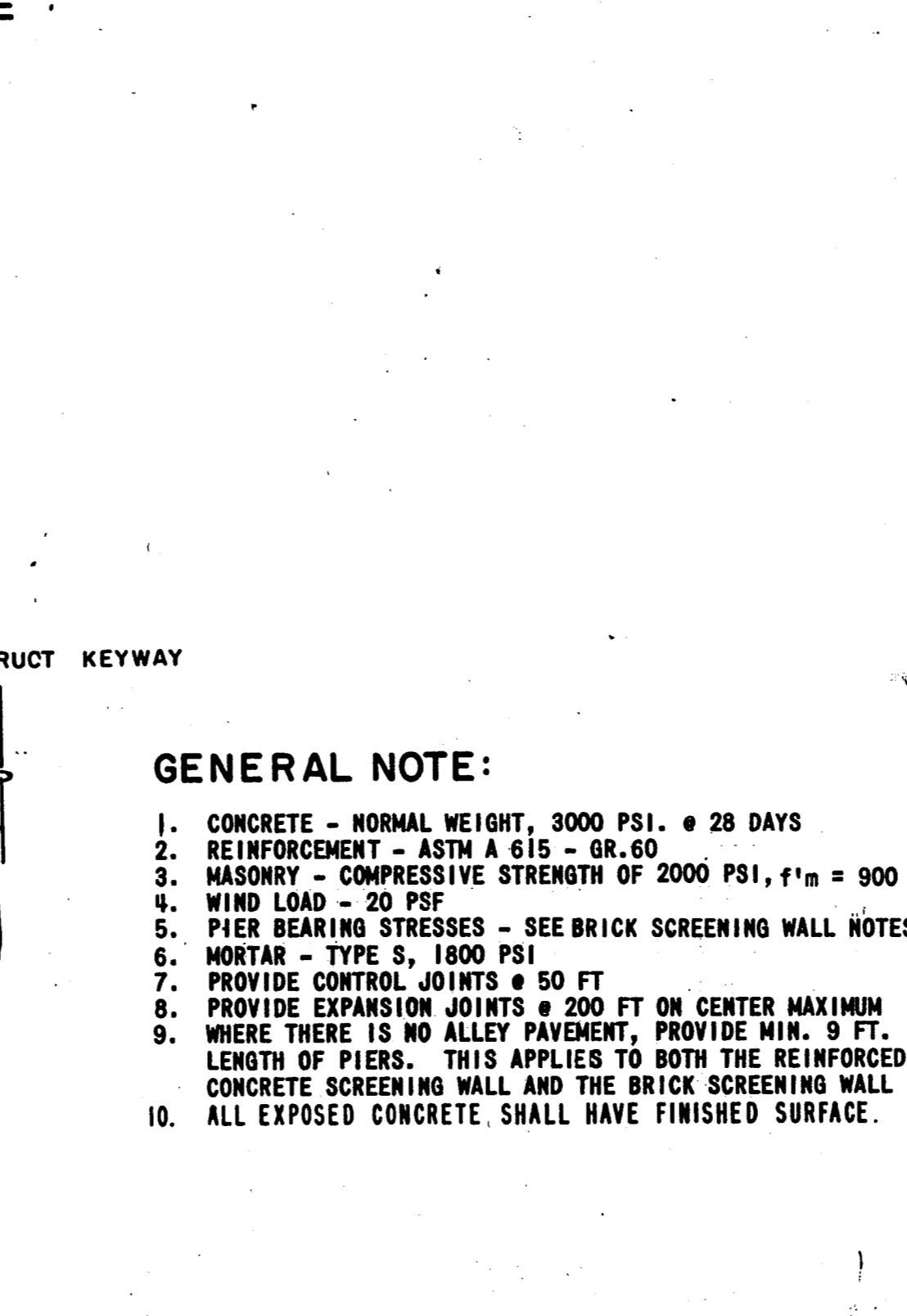
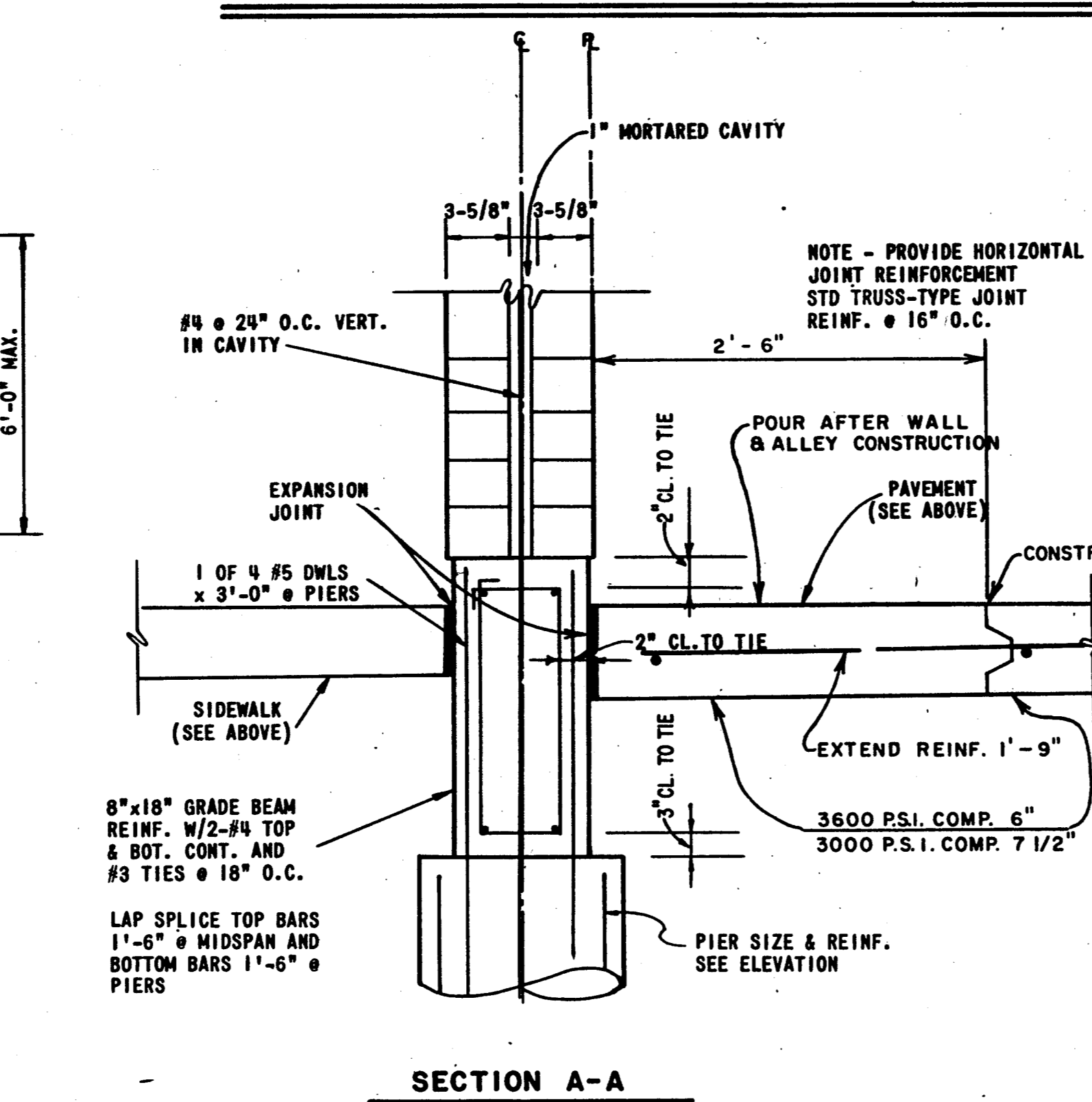
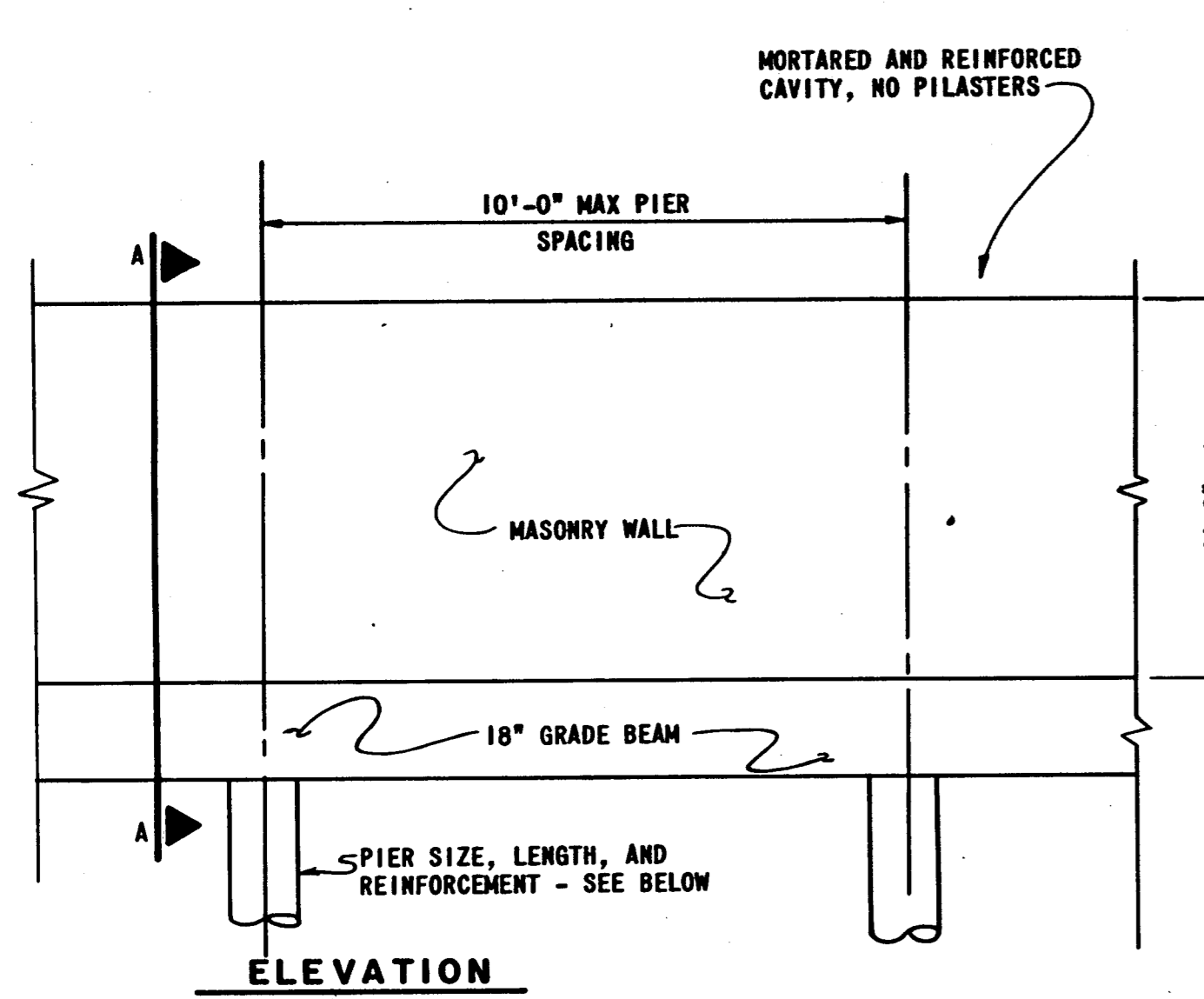
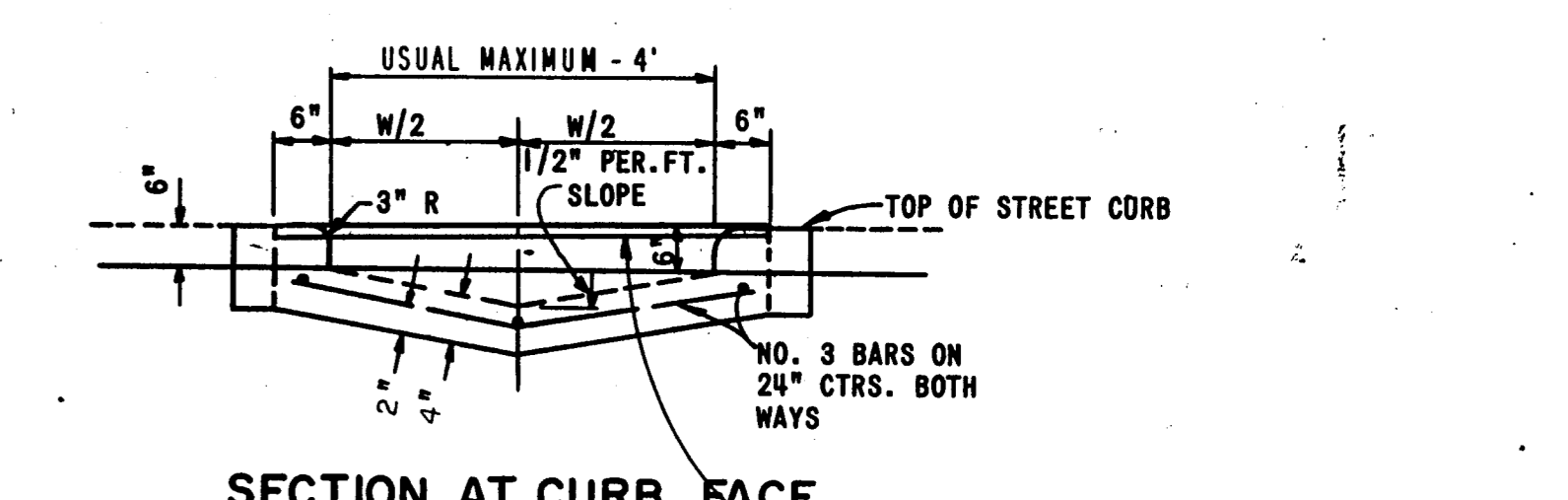


STEEL PLATE FLUME COVER

SPAN FEET	PLATE THICKNESS INCHES
4	1/2
6	5/8
8	3/4
10	7/8

BASED ON 100 P.S.I. LIVE LOAD AND MAX. DEAD & LIVE LOAD DEFLECTION OF L/240 BOLT PLATE DOWN WITH BRASS BOLTS. SURFACE SHALL BE A NON-SKID MATERIAL.



- DRILLED PIERS - 12 inch REINF. W/ 4-#4 VERT. & #4 TIES # 24 inch O.C. MINIMUM LENGTH OF PIER IS 6'-0 inch. \*PIER BOTTOM MAY BE EITHER OF THE TWO ALTERNATES:
- 12 inch # STRAIGHT SHAFT EMBEDDED MINIMUM 2'-0 inch INTO LIMESTONE. RESULTING BEARING STRESS IS 8.0 KIPS PER SQUARE FOOT.
  - 12 inch # SHAFT W/ 24 inch # BELL IN CLAY. RESULTING BEARING STRESS IS 2.0 KIPS PER SQUARE FOOT.
- \* SEE GENERAL NOTE NO. 9

**BRICK SCREENING WALL**



NO.	REVISION	BY	DATE

TOWN OF ADDISON, TEXAS  
DEPARTMENT OF ENGINEERING  
STANDARD CONSTRUCTION DETAILS  
PAVING  
SCREENING WALL - SIDEWALK

APPROVED: H. WAYNE GINN, P.E.  
DATE: MARCH, 1984  
SHEET SD-7