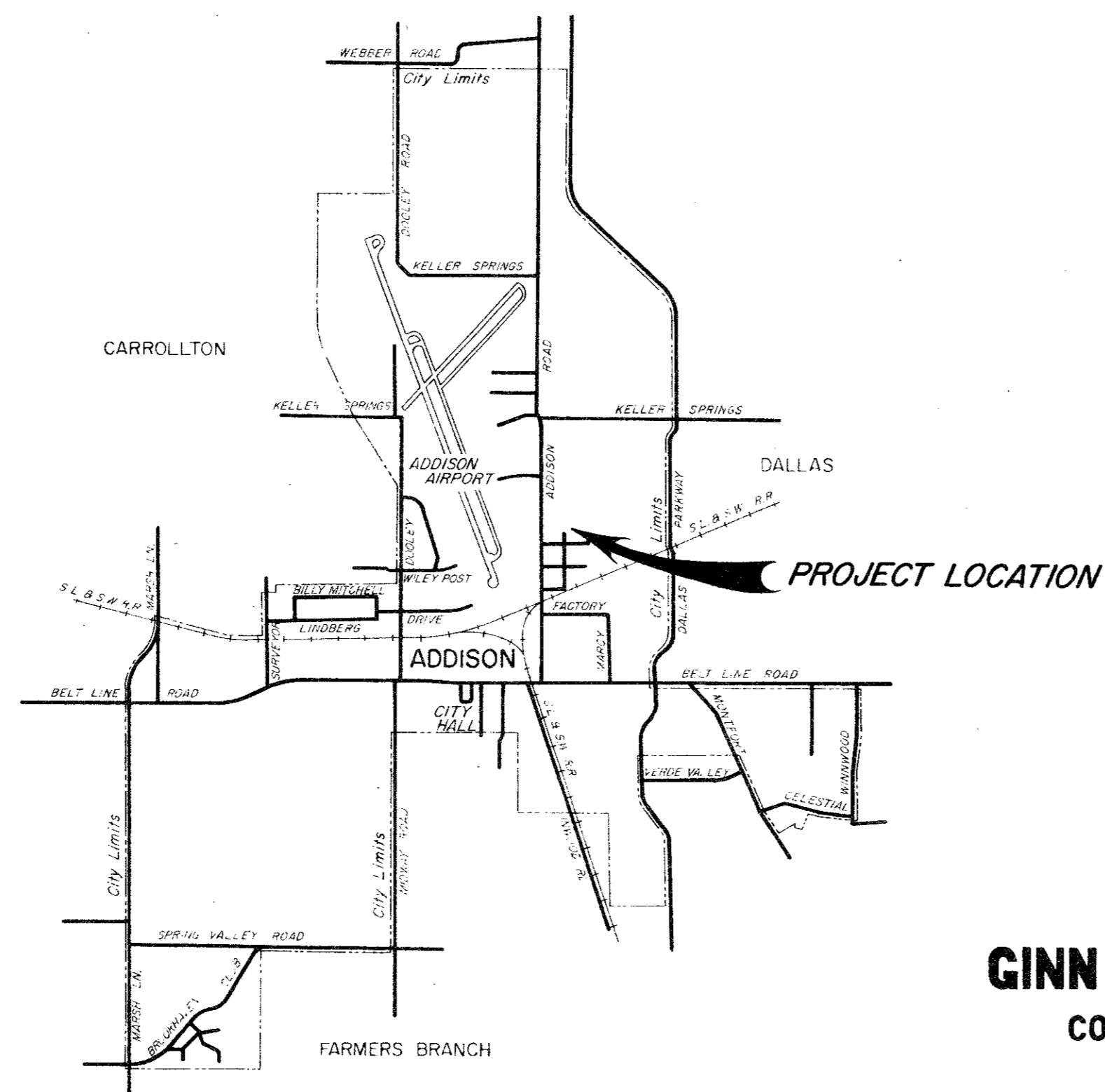


CITY OF ADDISON DALLAS COUNTY, TEXAS

CONSTRUCTION PLANS FOR: ONE MILLION GALLON ELEVATED STORAGE TANK



**JERRY J. REDDING - MAYOR
COUNCILMEN:**

**JOHN B. ALLEN
RICHARD RODER
WILLIAM F. SELLMAYER
A. E. MARCY
TERRY ROBERTS**

C. J. WEBSTER - CITY ADMINISTRATOR

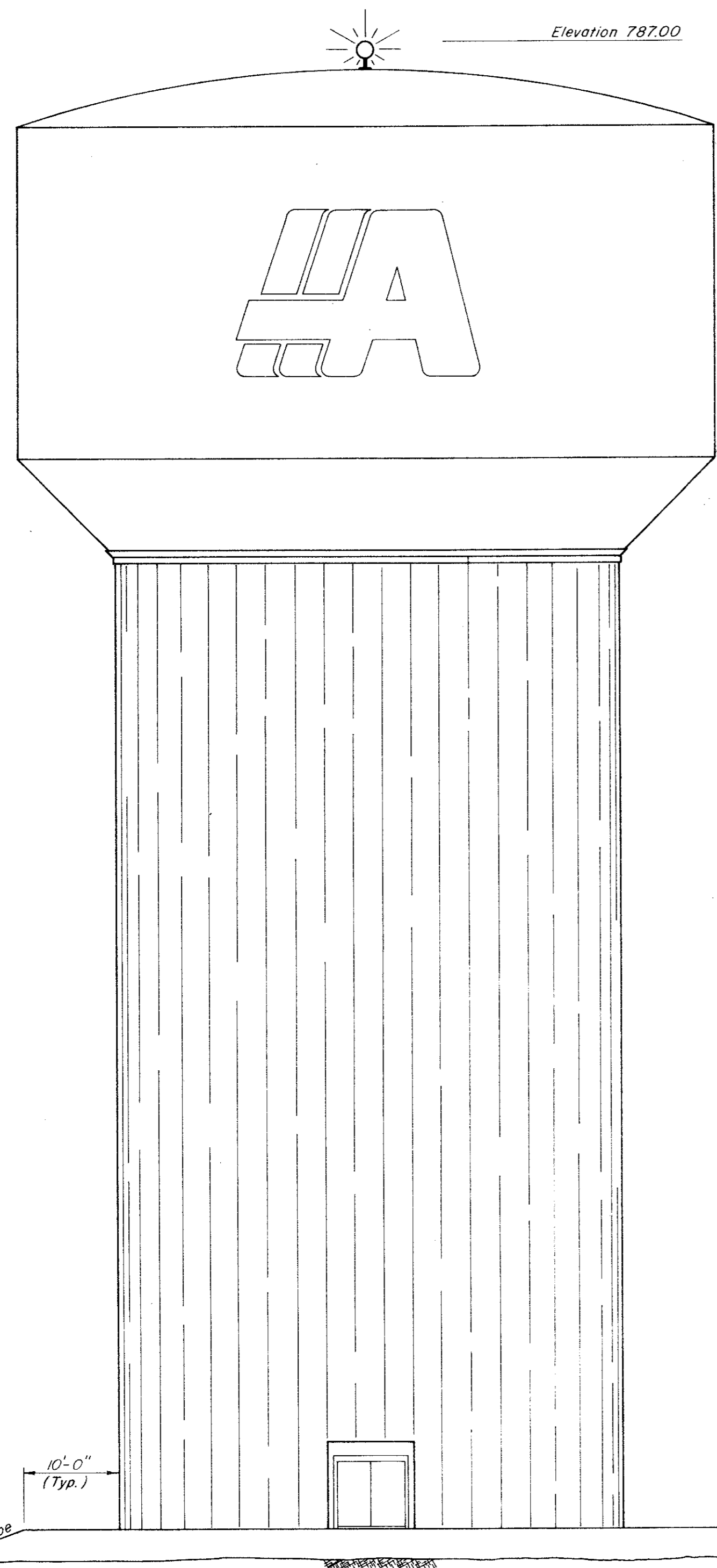
GINN & STACY, INC.
CONSULTING ENGINEERS
DALLAS, TEXAS
1977



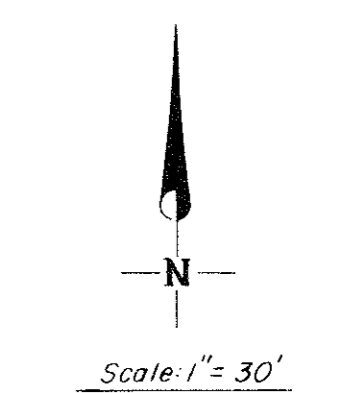
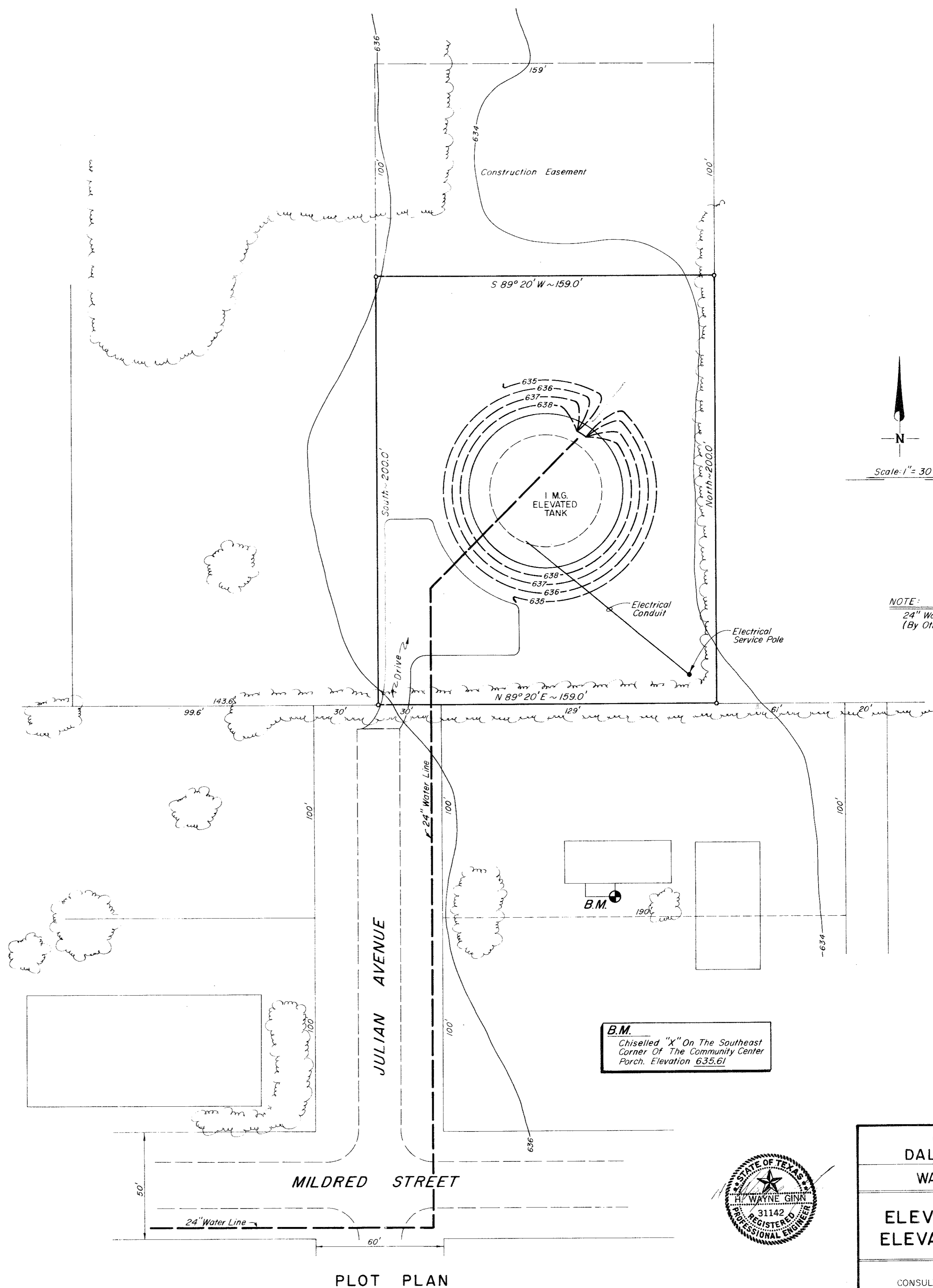
814-2

WATER TOWER 4/77

814-2



ELEVATION
No Scale



NOTE:
24" Water Line And Drive
(By Others Contract No. III)

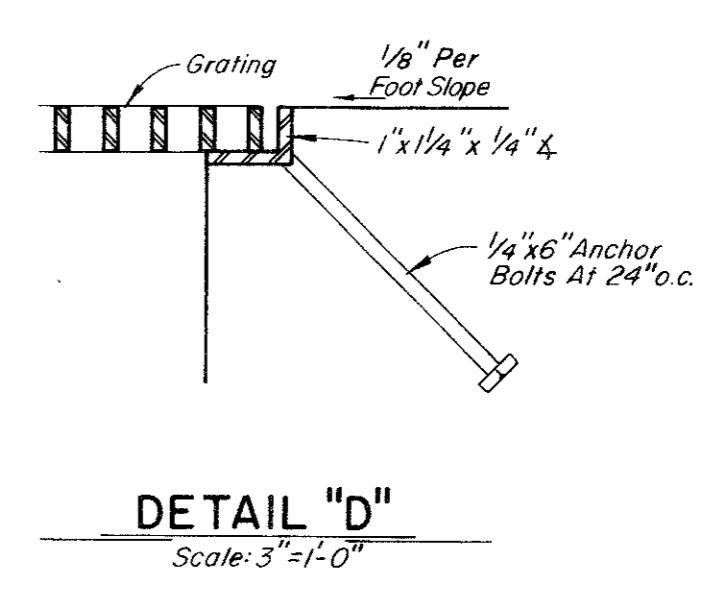
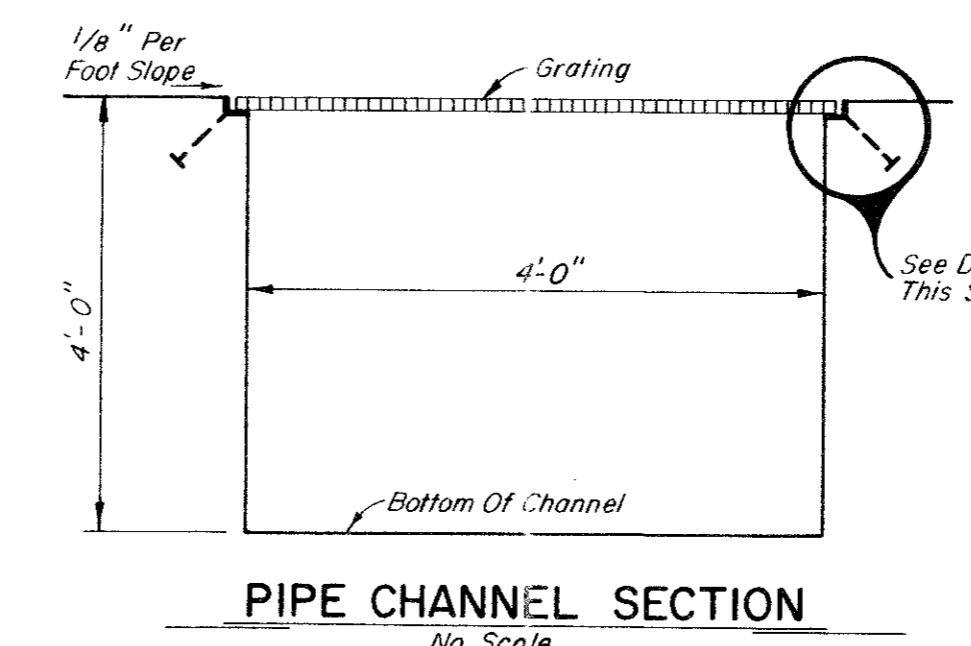
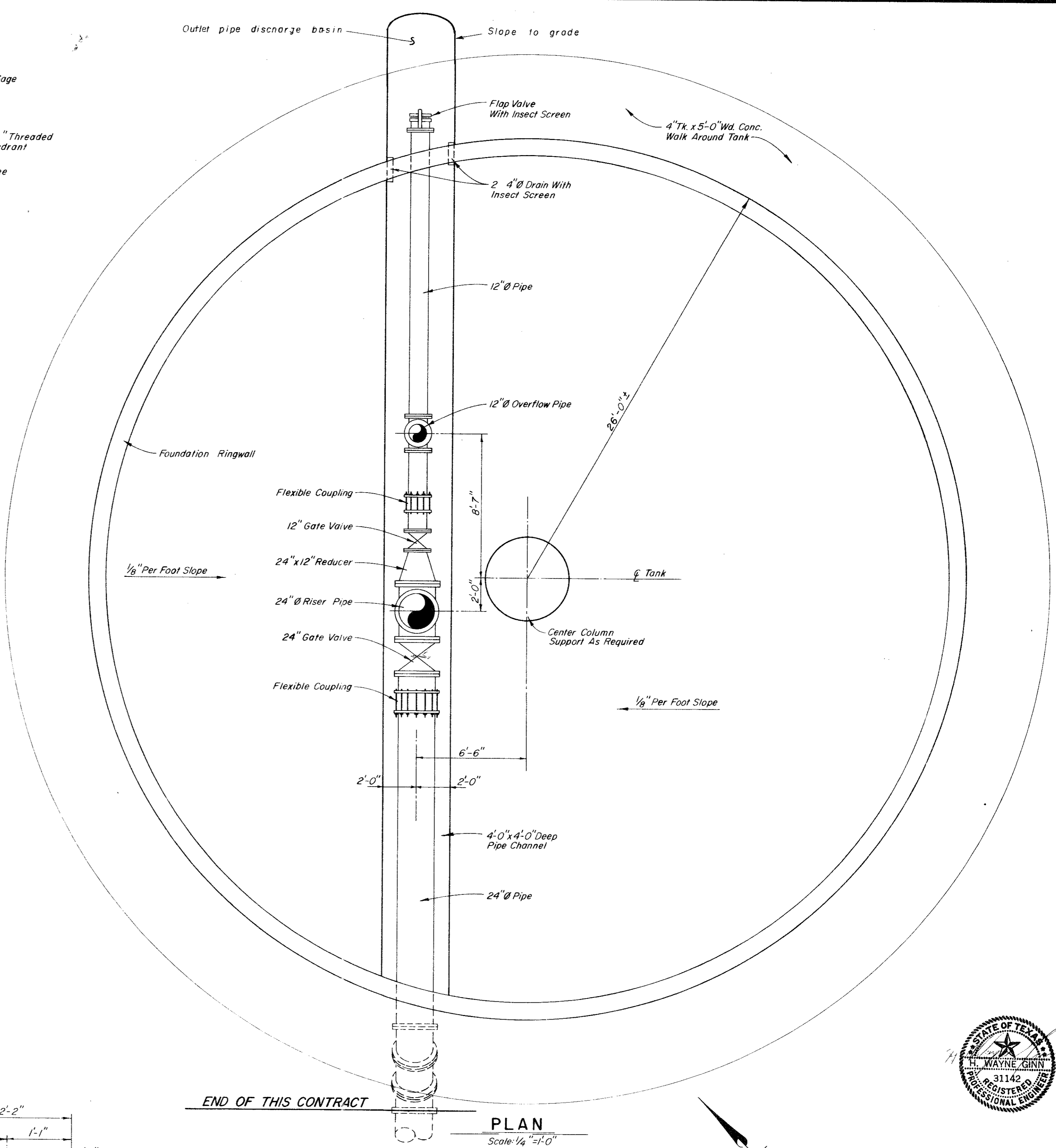
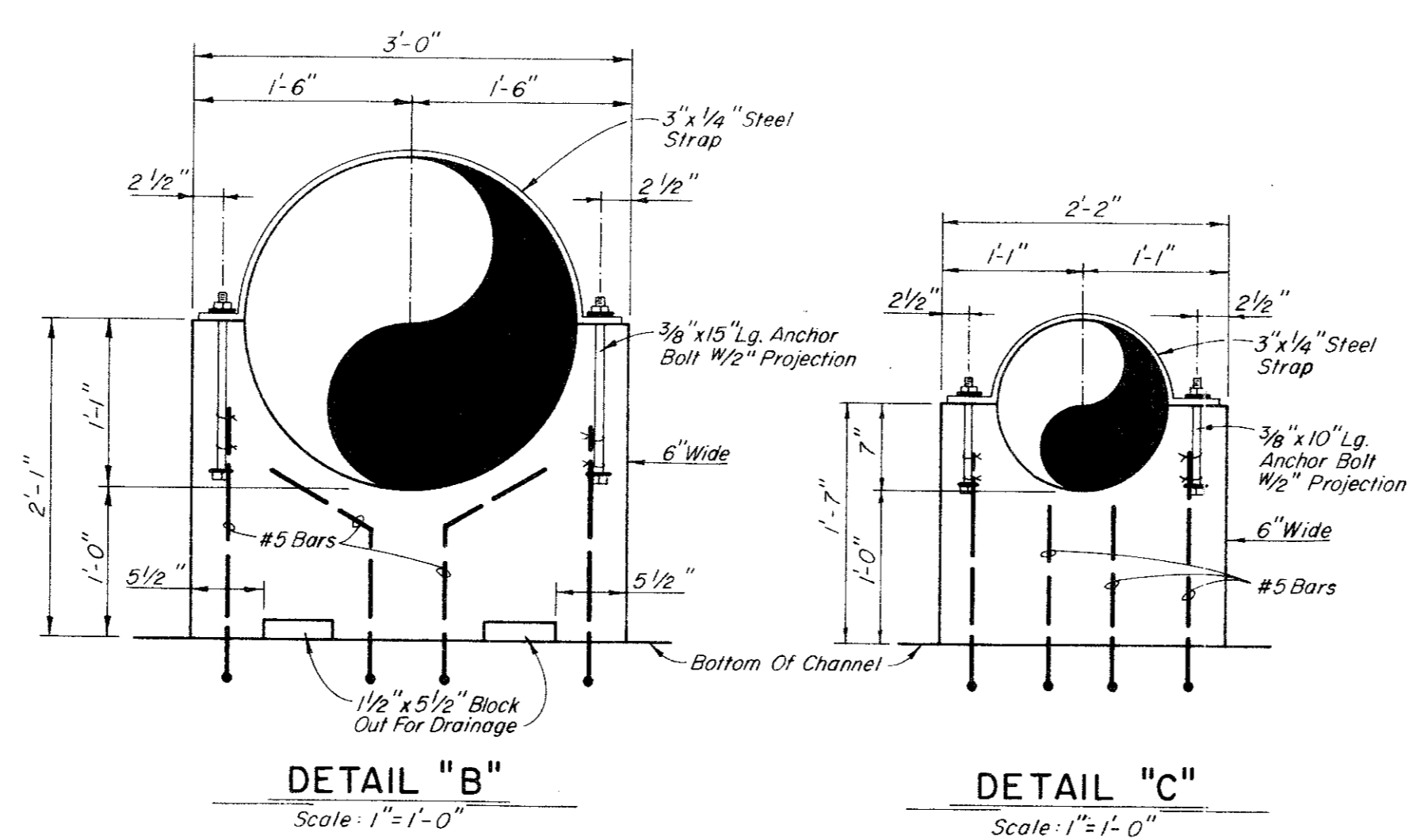
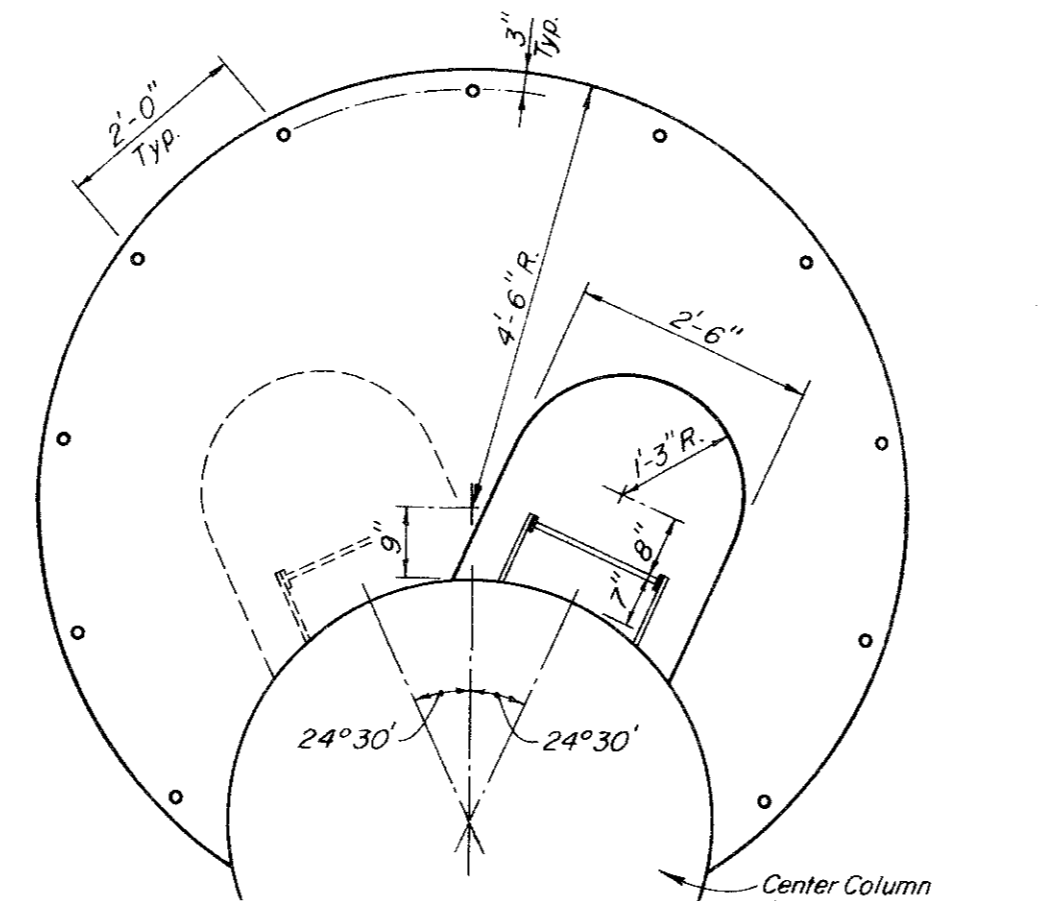
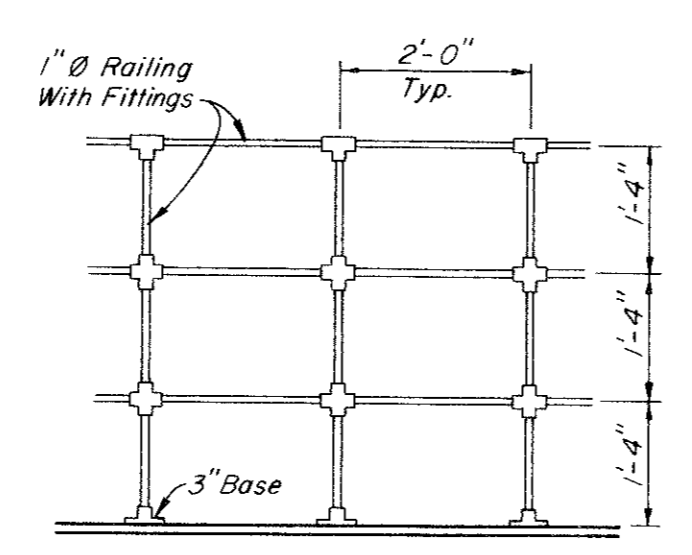
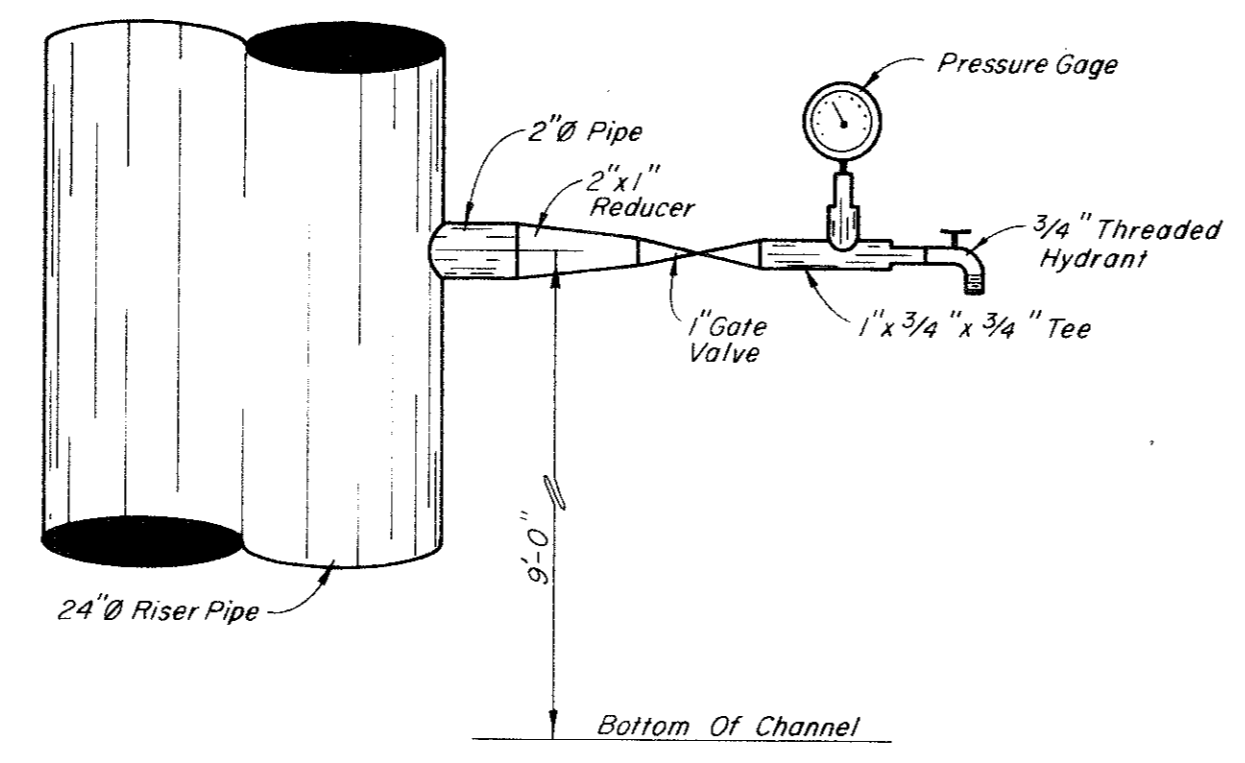
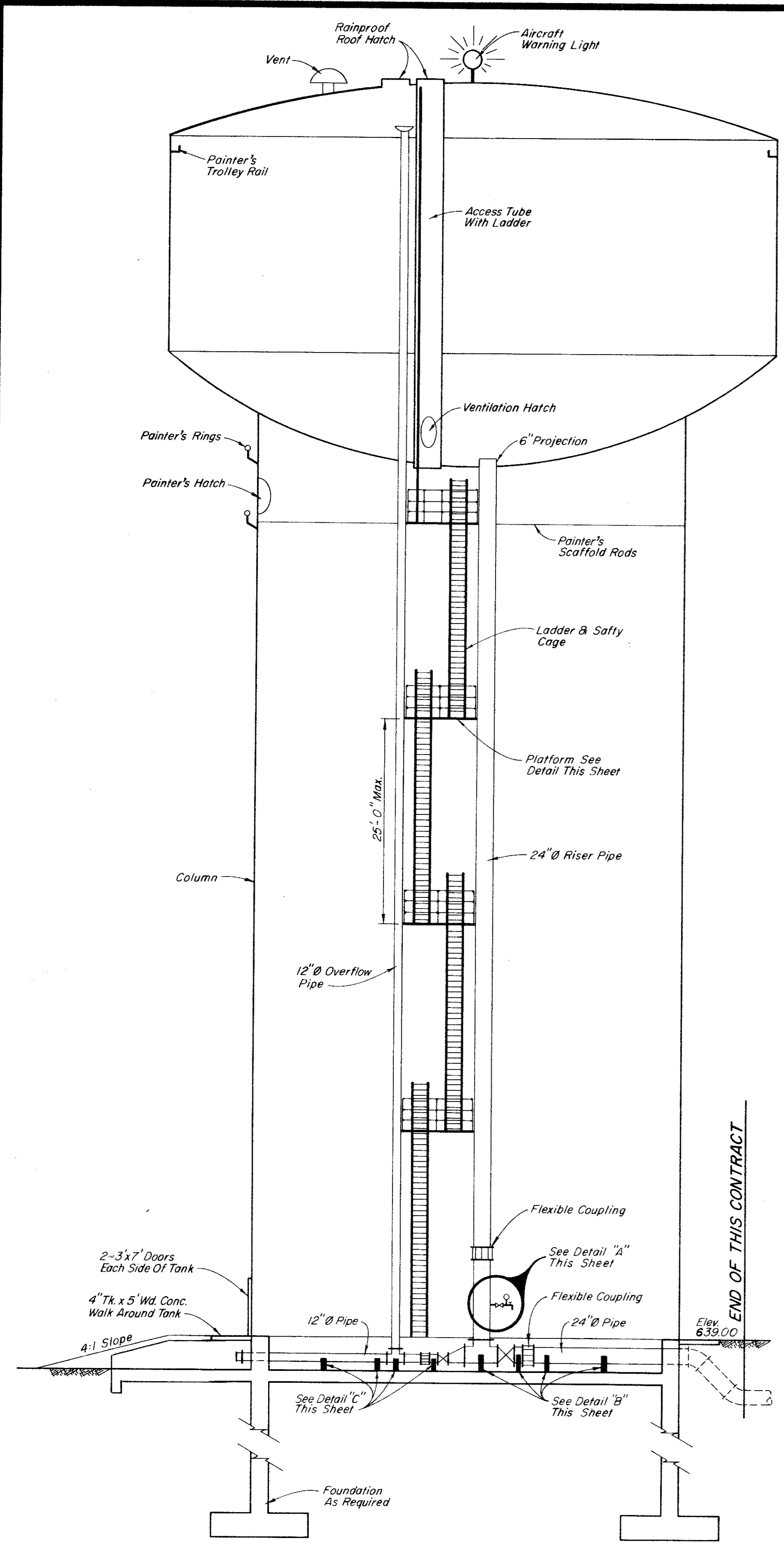
B.M.
Chiselled "X" On The Southeast
Corner Of The Community Center
Porch. Elevation 635.61



CITY OF ADDISON
DALLAS COUNTY, TEXAS
WATER IMPROVEMENTS
**ELEVATED STORAGE TANK
ELEVATION AND PLOT PLAN**

GINN & STACY, INC.
CONSULTING ENGINEERS DALLAS, TEXAS
Designed By: *H.W.G.* Scale: *As Shown*
Drawn By: *J.D.M.* Date: *1977* Sheet **2** of **4**

PLOT PLAN



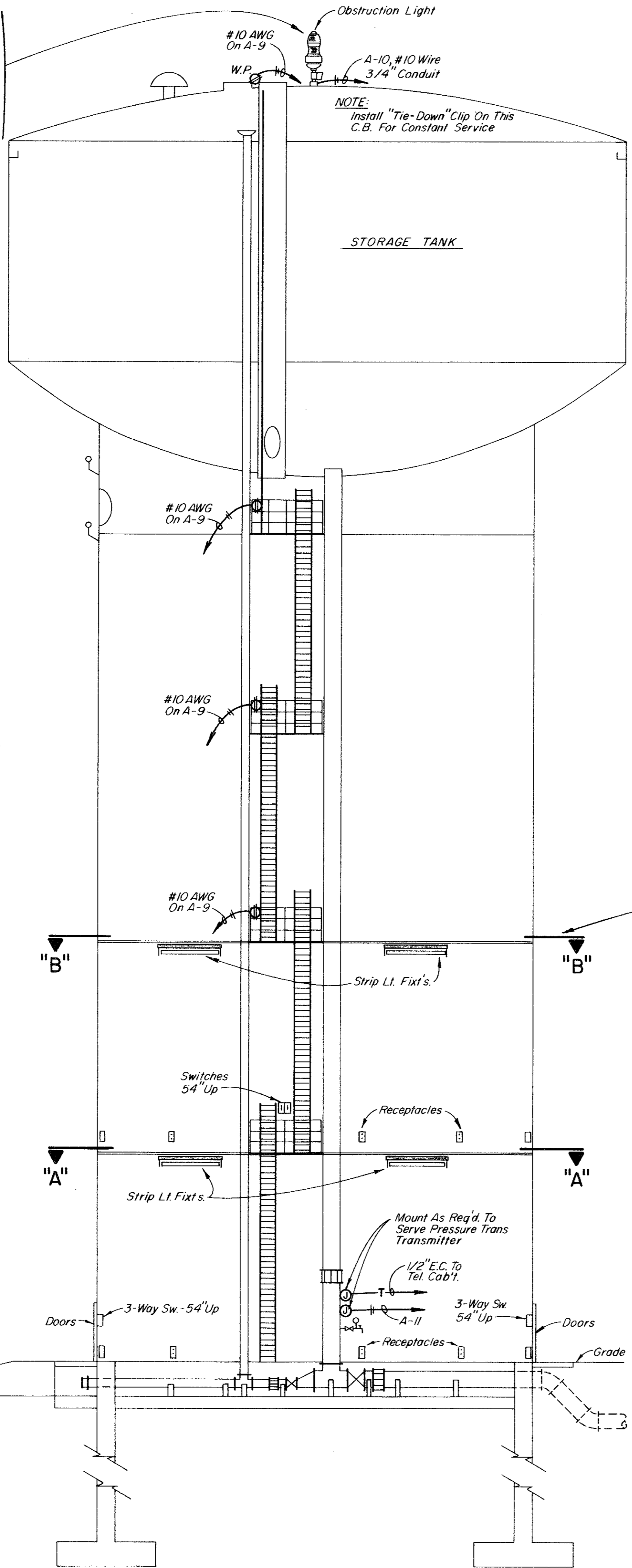
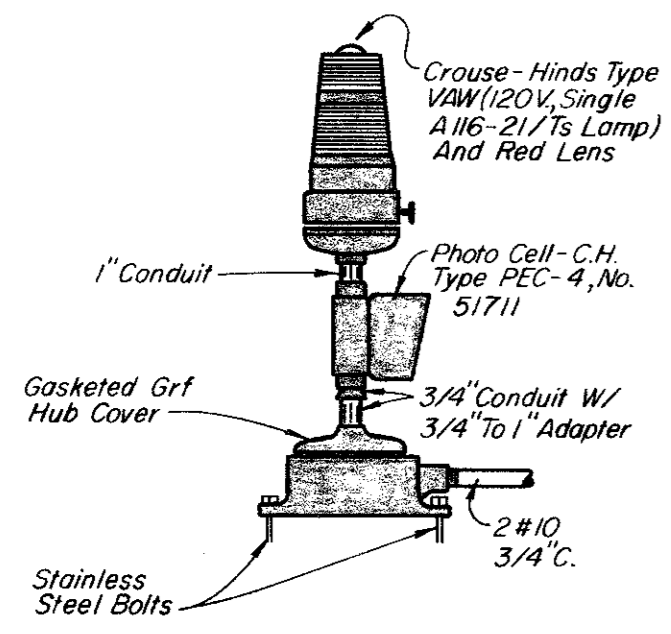
CITY OF ADDISON
DALLAS COUNTY, TEXAS
WATER IMPROVEMENTS

ELEVATED STORAGE TANK
PLAN AND DETAILS

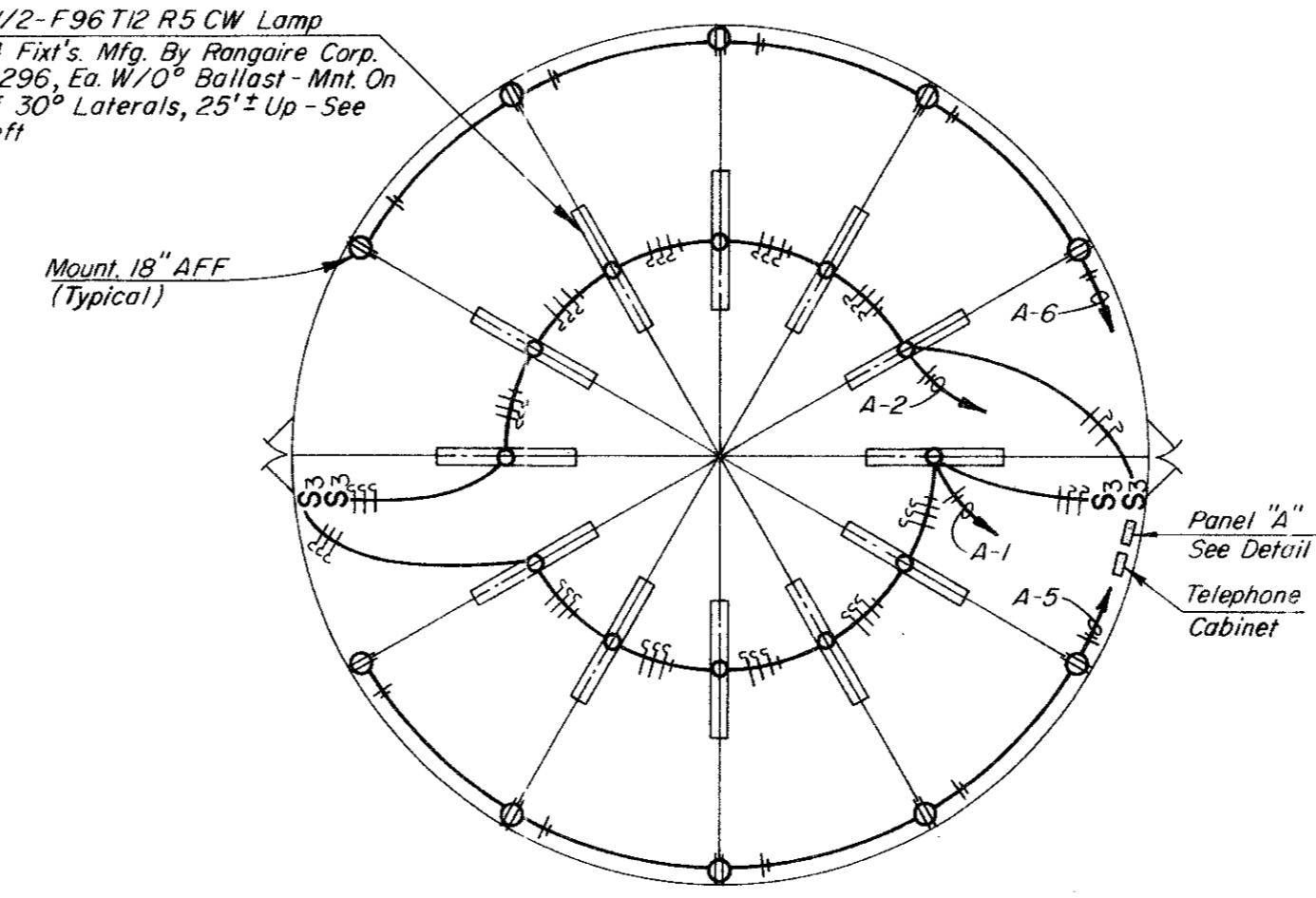
GINN & STACY, INC.
CONSULTING ENGINEERS DALLAS, TEXAS

Designed By: HWG Scale: As Shown
Drawn By: J.D.M. Date: 1977

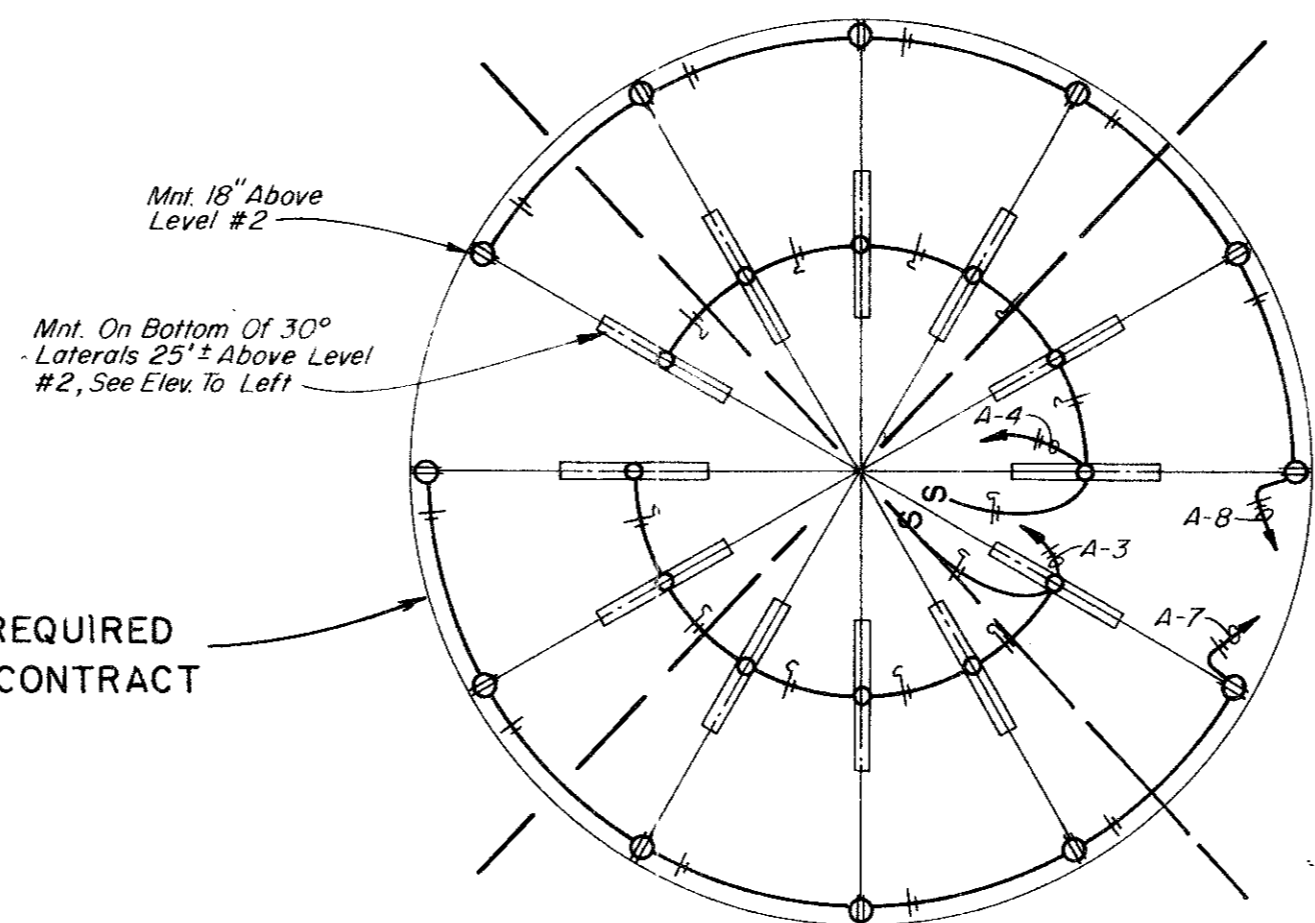
Sheet 3 of 4



Strip Lt. W/2-F96T12 R5 CW Lamp
Typ For 24 Fix'ts. Mfg. By Rangaire Corp.
Cat. No. S-296, Ea. W/O Ballast - Mnt. On Bottom Of 30° Laterals, 25'± Up - See Elev. To Left

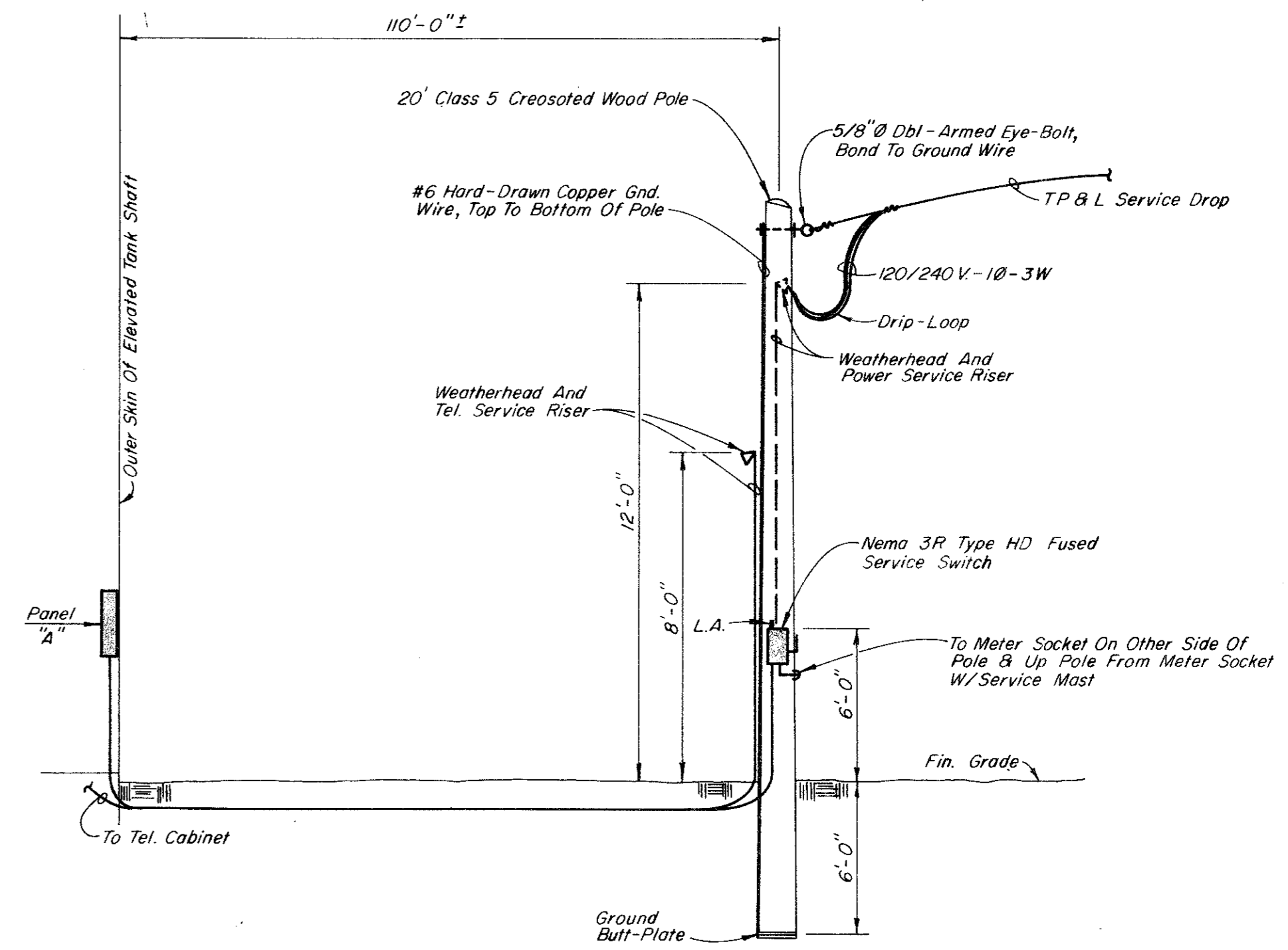


SECTION "A-A"
No Scale

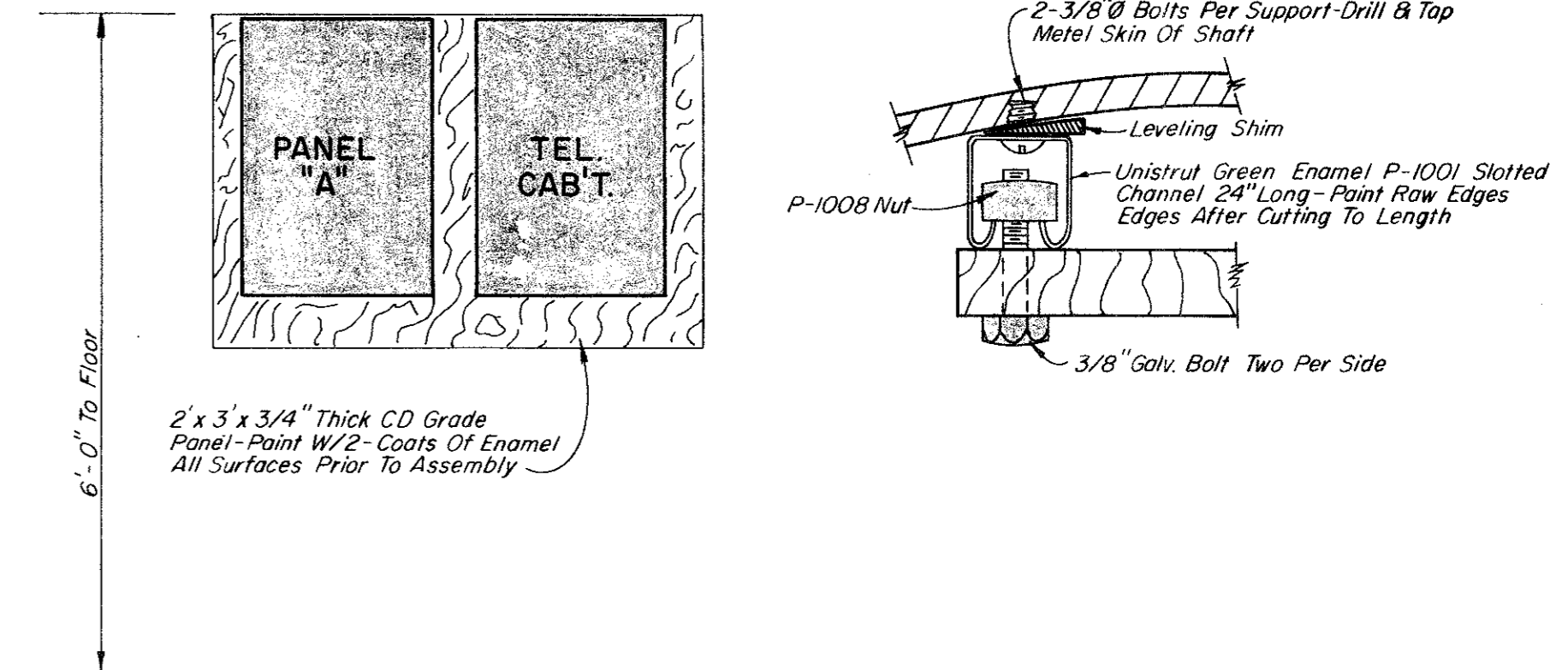


SECTION "B-B"
No Scale

NOT REQUIRED THIS CONTRACT

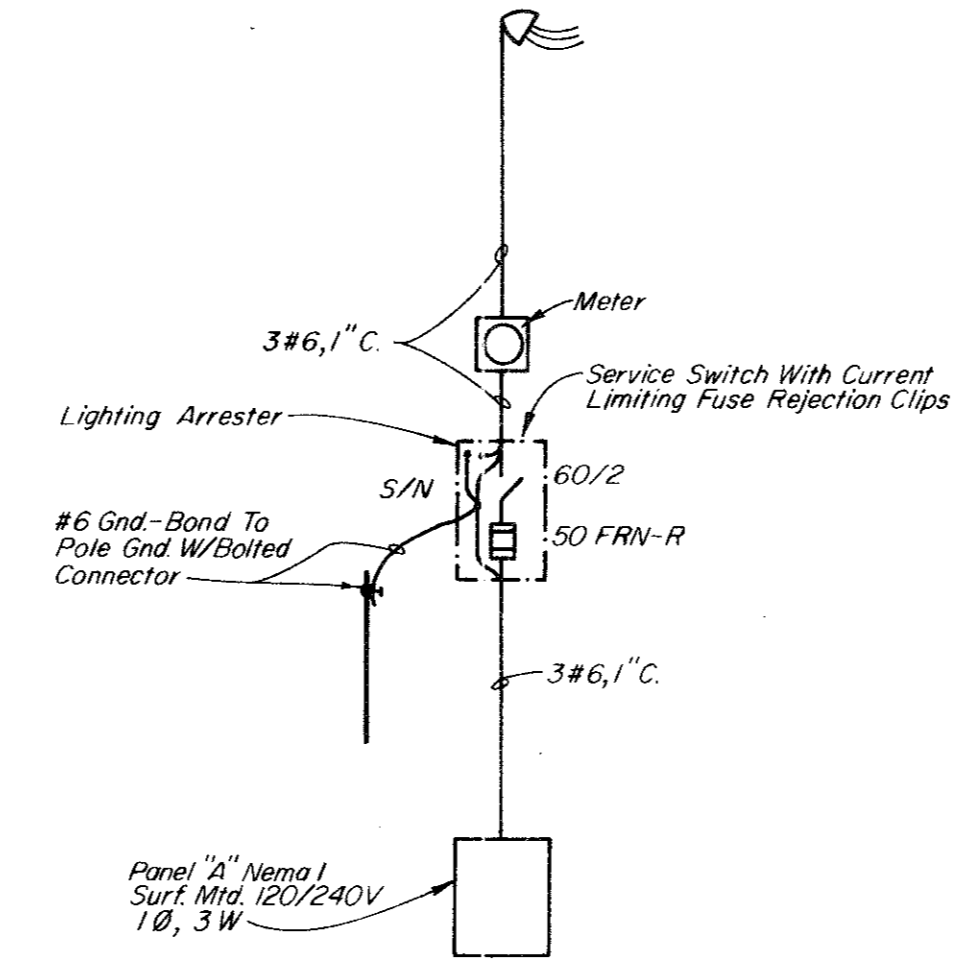


SERVICE ENTRANCE DETAIL
No Scale

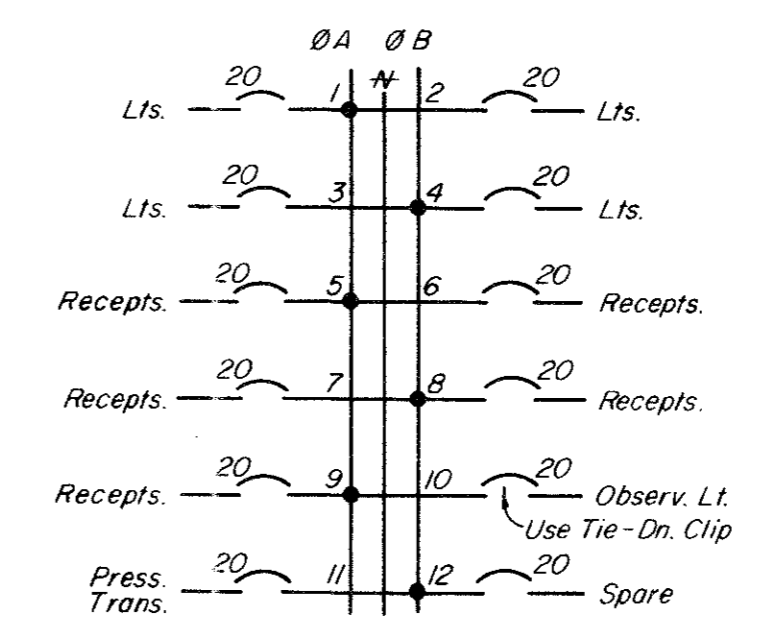


PANEL & CABINET MOUNTING DETAILS
No Scale

- LEGEND**
- Fluorescent Lt. Fix't.
 - ⊕ Duplex Receptacle - 15A, 125V.
 - S Switch, SPST
 - S₃ Switch, 3-Way
 - ⊙ Junction Box
 - ⊞ Circuit Feeder, Neut., Hot & Switch Leg
 - Home Run To Panel



POWER RISER DIAGRAM
No Scale



PANEL "A" - ONE LINE
No Scale

OVERHEAD STORAGE TANK ELEVATION
No Scale



CITY OF ADDISON
DALLAS COUNTY, TEXAS
WATER IMPROVEMENTS

ELECTRICAL PLAN & DETAILS

GINN & STACY, INC.
CONSULTING ENGINEERS
DALLAS, TEXAS

Designed By: C.R.M. Scale: None
Drawn By: W.G.A. Date: 4-26-77 Sheet 4 of 4