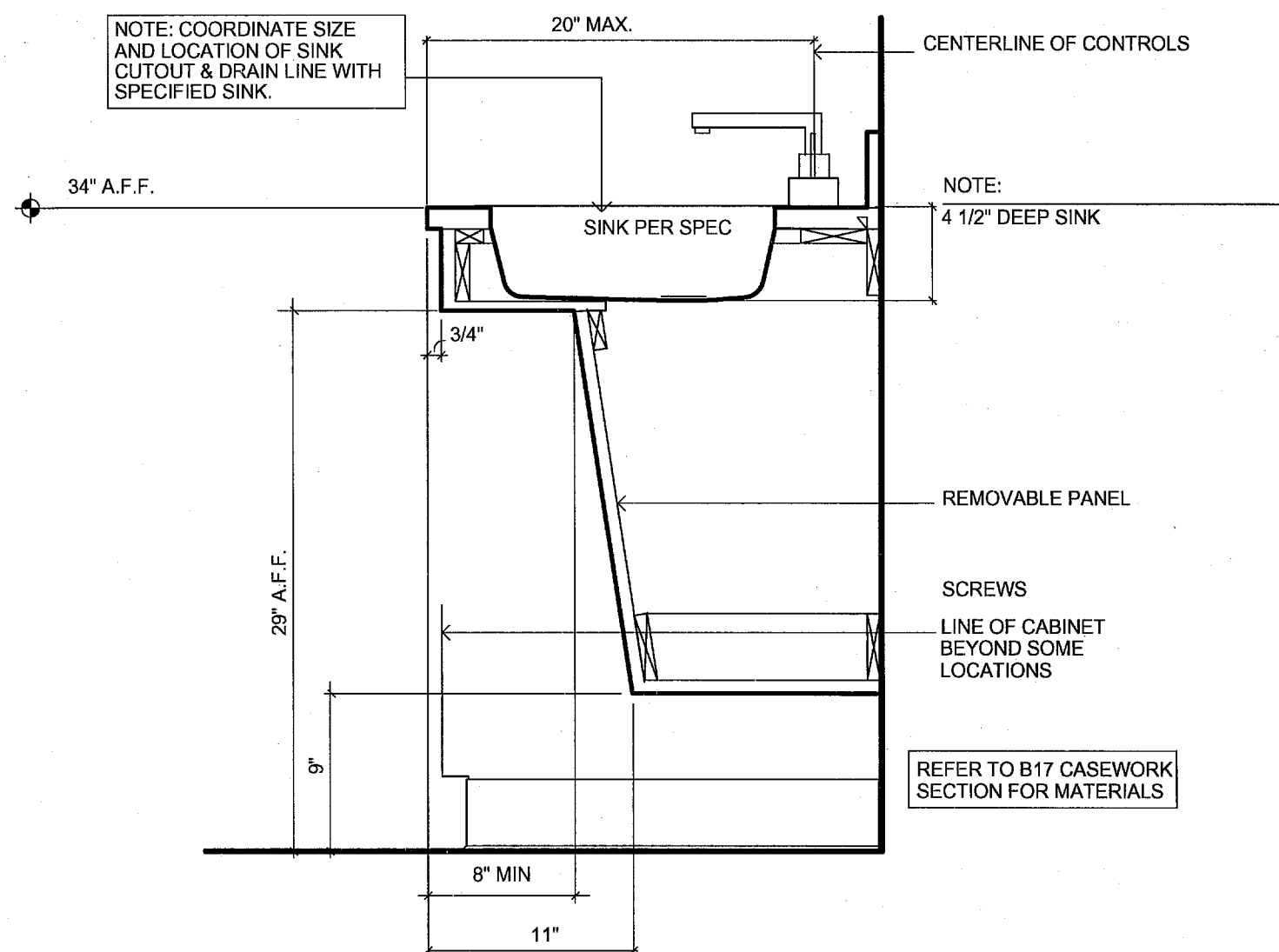
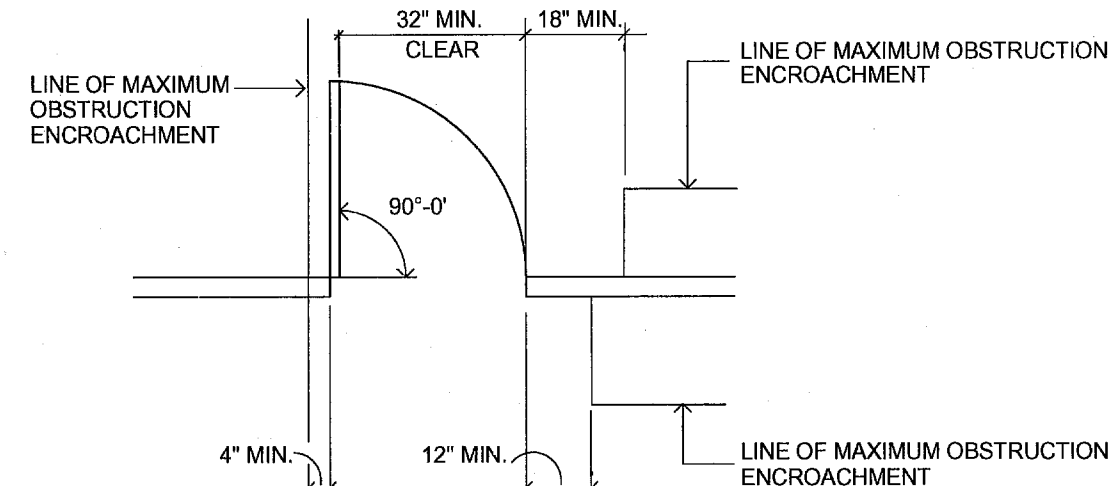


1 ACCESSIBLE TOILET WITHOUT STALL
SCALE: 3/8"=1'-0"

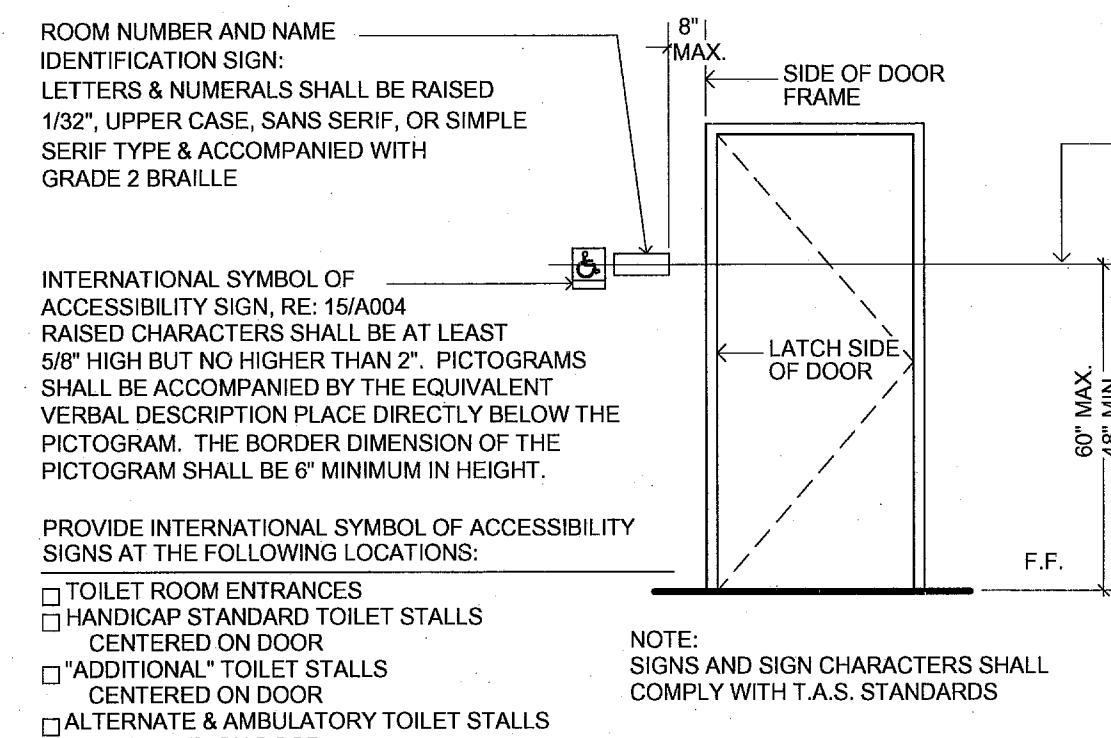


2 ACCESSIBLE SINK
SCALE: 1 1/2"=1'-0"
NOTE: REFER ARCHITECTURAL FLOOR PLANS FOR LOCATION OF ACCESSIBLE SINKS (ACCESSIBLE SINKS ARE INDICATED BY SHADING)

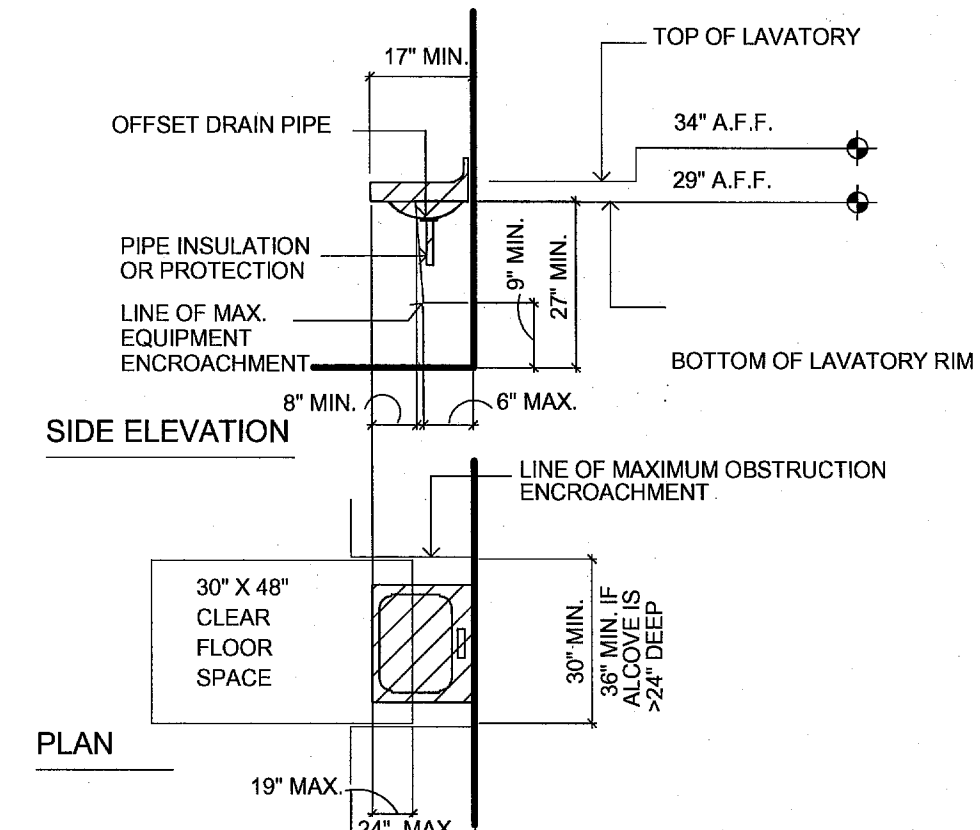


3 ACCESSIBLE DOOR DIAGRAM
SCALE: 3/8"=1'-0"

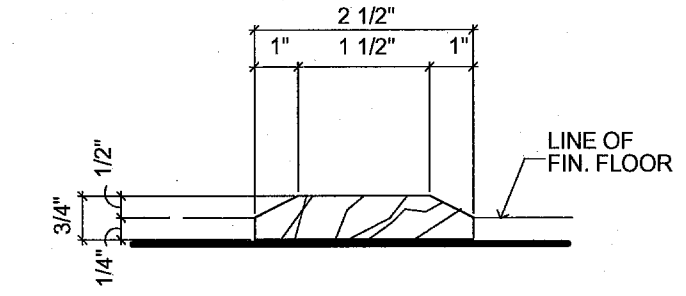
- DOOR REQUIREMENTS / ACCESSIBILITY:
- DOORS ON AN ACCESSIBLE ROUTE MUST BE 36" WIDE MINIMUM TO PROVIDE 32" MINIMUM CLEARANCE. NOTIFY THE ARCHITECT OF CONFLICTS FOR RESOLUTION PRIOR TO CONSTRUCTION.
 - ALL DOOR LOCKSETS, LATCHSETS, AND PANIC HARDWARE SHALL COMPLY WITH TEXAS ACCESSIBILITY STANDARDS, TAS (ADA) STANDARDS 4, 9, AND 13 AND HAVE A MAXIMUM OPERATING FORCE OF 5 LBS. AT INTERIOR DOORS AND 8 LBS. AT EXTERIOR DOORS.
 - MANEUVERING CLEARANCES AT ALL DOORS SHALL COMPLY WITH TEXAS ACCESSIBILITY STANDARDS, AND A.D.A. STANDARDS.



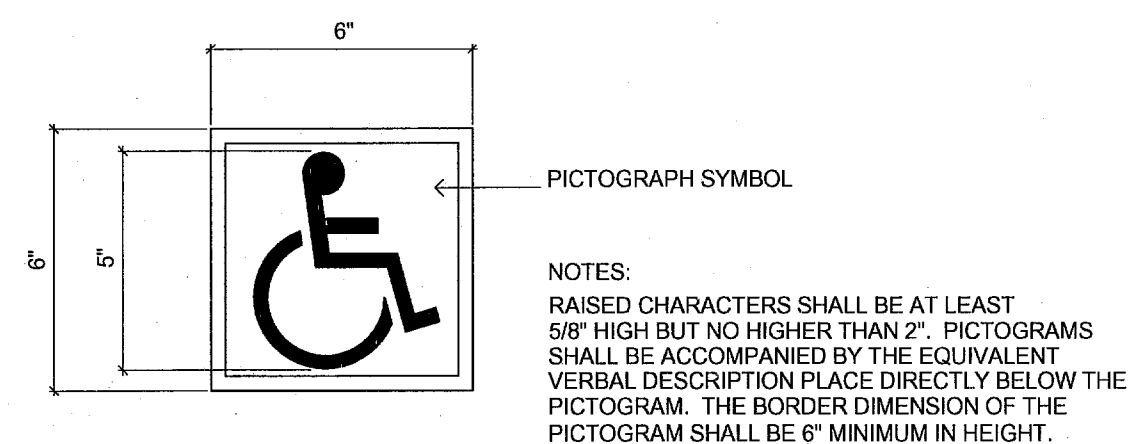
4 DOOR / ENTRANCE SIGN
SCALE: 3/8"=1'-0"



5 ACCESSIBLE LAVATORY
SCALE: 3/8"=1'-0"
NOTE: REFER ARCHITECTURAL FLOOR PLANS FOR LOCATION OF ACCESSIBLE FIXTURES (ACCESSIBLE FIXTURES ARE INDICATED BY SHADING)



6 MARBLE THRESHOLD
SCALE: 6"=1'-0"



7 INTERNATIONAL SYMBOL OF ACCESSIBILITY
SCALE: 3"=1'-0"

TOILET FIXTURES & ACCESSORIES		INDICATES HANDICAP ACCESSIBLE FIXTURE	
MOUNTING HEIGHTS		REF. T.A.S. / A.D.A. GUIDELINES	
TOILET SEAT HEIGHT	15" ALL	MIRROR MOUNTING HEIGHT AT SINGLE OCCUPANCY TOILET	48" ALL
FLUSH CONTROL	44" MAX. ABOVE F.F.	ACCESSIBLE MIRROR CONTROLS LOCATION	40" A.F.F.
TOILET SEAT HEIGHT	18" ABOVE F.F.	FEMININE NAPKIN DISPENSER	46" ALL
GRAB BAR	34" ABOVE F.F.	ACCESSIBLE SOAP DISPENSER	42" ALL
LAVATORY TOP OF LAVATORY	30" A.F.F.	FEMININE NAPKIN DISPOSAL	24" ALL
ACCESSIBLE LAVATORY BOTTOM OF LAVATORY RIM	34" A.F.F.	SOAP DISH	46" ALL
PAPER TOWEL DISPENSER	46" A.F.F.	TOWEL BAR	42" ALL
SOAP DISPENSER	46" A.F.F.		

GENERAL NOTE:
DETAILS SHOWN ON THIS SHEET ARE TYPICAL AND APPLY TO WHEREVER CONDITION SHOWN IN DETAIL OCCURS.

GENERAL DEVICES & ACCESSORIES		MOUNTING HEIGHTS		REF. T.A.S. / A.D.A. GUIDELINES	
NAME & DESCRIPTION	HEIGHT ABOVE FINISHED FLOOR	NAME & DESCRIPTION	HEIGHT ABOVE FINISHED FLOOR	NAME & DESCRIPTION	HEIGHT ABOVE FINISHED FLOOR
LIGHT SWITCHES, THERMOSTATS, WALL MOUNTED COMMUNICATION AND FIRE ALARM PULL DEVICES	48" SIDE APPROACH				
ELECTRICAL OUTLETS, TELEPHONE OUTLETS, & DATA RECEPTACLES	15"				
BUILDING PLAQUE	60"				
FIRE EXTINGUISHER CABINET	48"				
ROOM NAME AND/OR ROOM NUMBER SIGNAGE	60" MAX.				
NOTE: LOCATE SIGN EDGE WITHIN 8" OF JAMB AT LATCH SIDE OF DOOR	48" MIN.				
DOOR HARDWARE		DOOR KNOB OR LEVER	38"		
		DOOR PULL	42"		
		PANIC BAR	38"		



WRA Architects, Inc.
1227 West Drive
Dallas, Texas 75221
214.750.0071 Voice
214.750.0071 Fax
www.wraarchitects.com

FRESE & NICHOLS
2220 San Jacinto Blvd., Suite 330
Dallas, Texas 75205
Phone - (940) 387-4600
Fax - (940) 387-4677
Web - www.frese.com

Town of Addison, Texas
SURVEYOR 1.5 MG EST
ARCHITECTURE
Accessibility

NO.	DATE	BY	ISSUE	FILE NAME

VERIFY SCALE: Bar is one inch on original drawing. If not one inch on this sheet, adjust scale.

SHEET
A-100