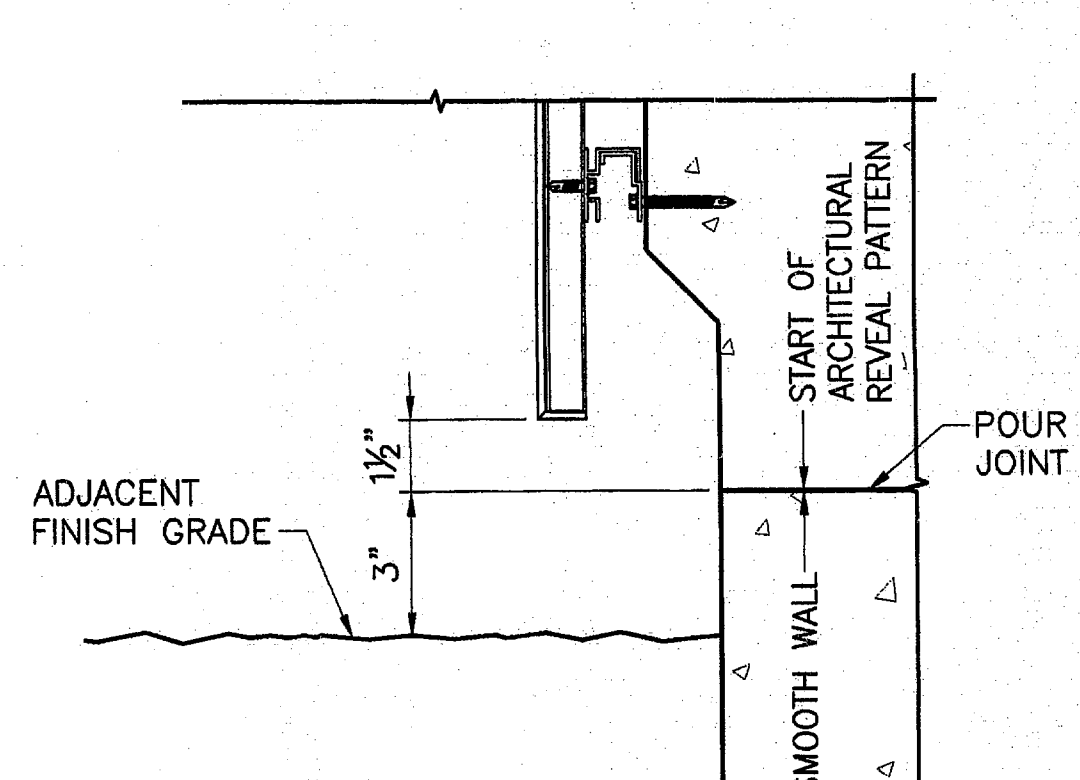
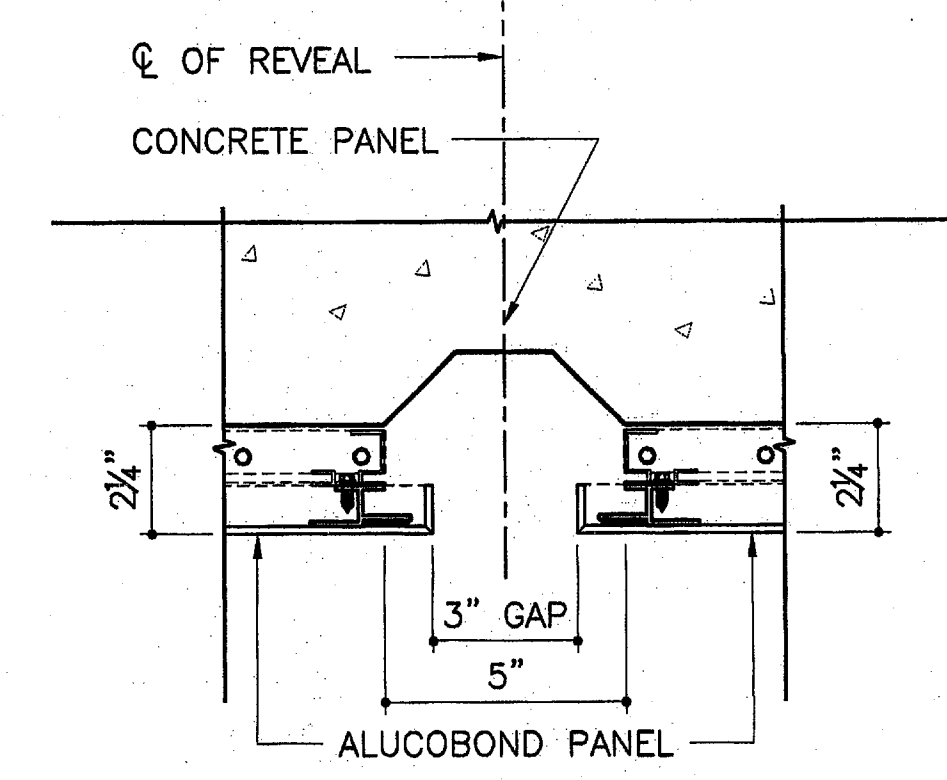
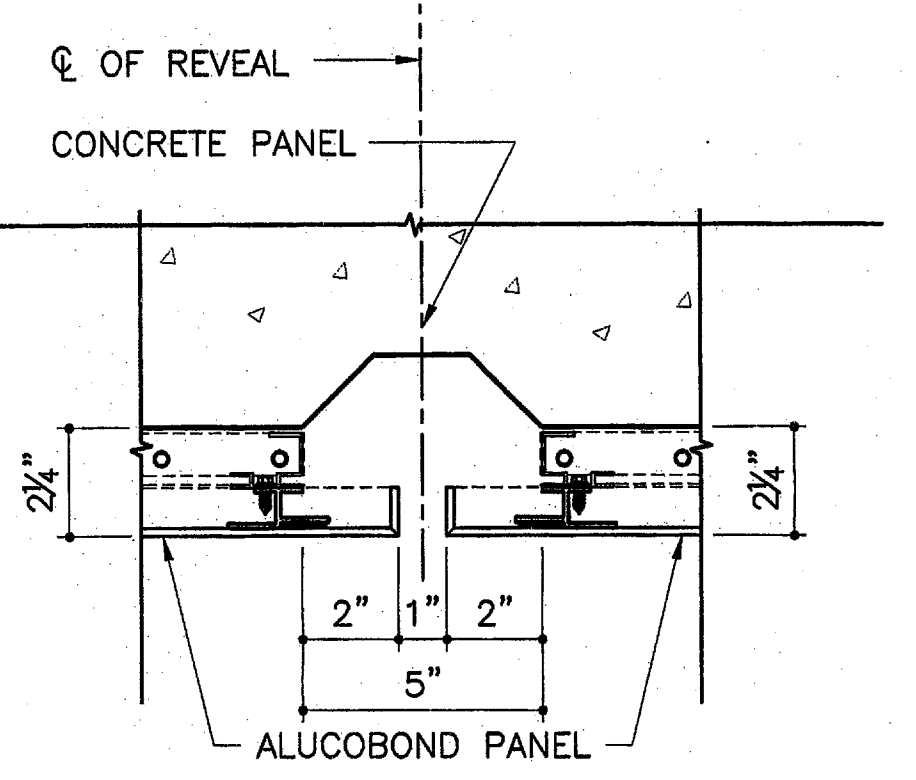
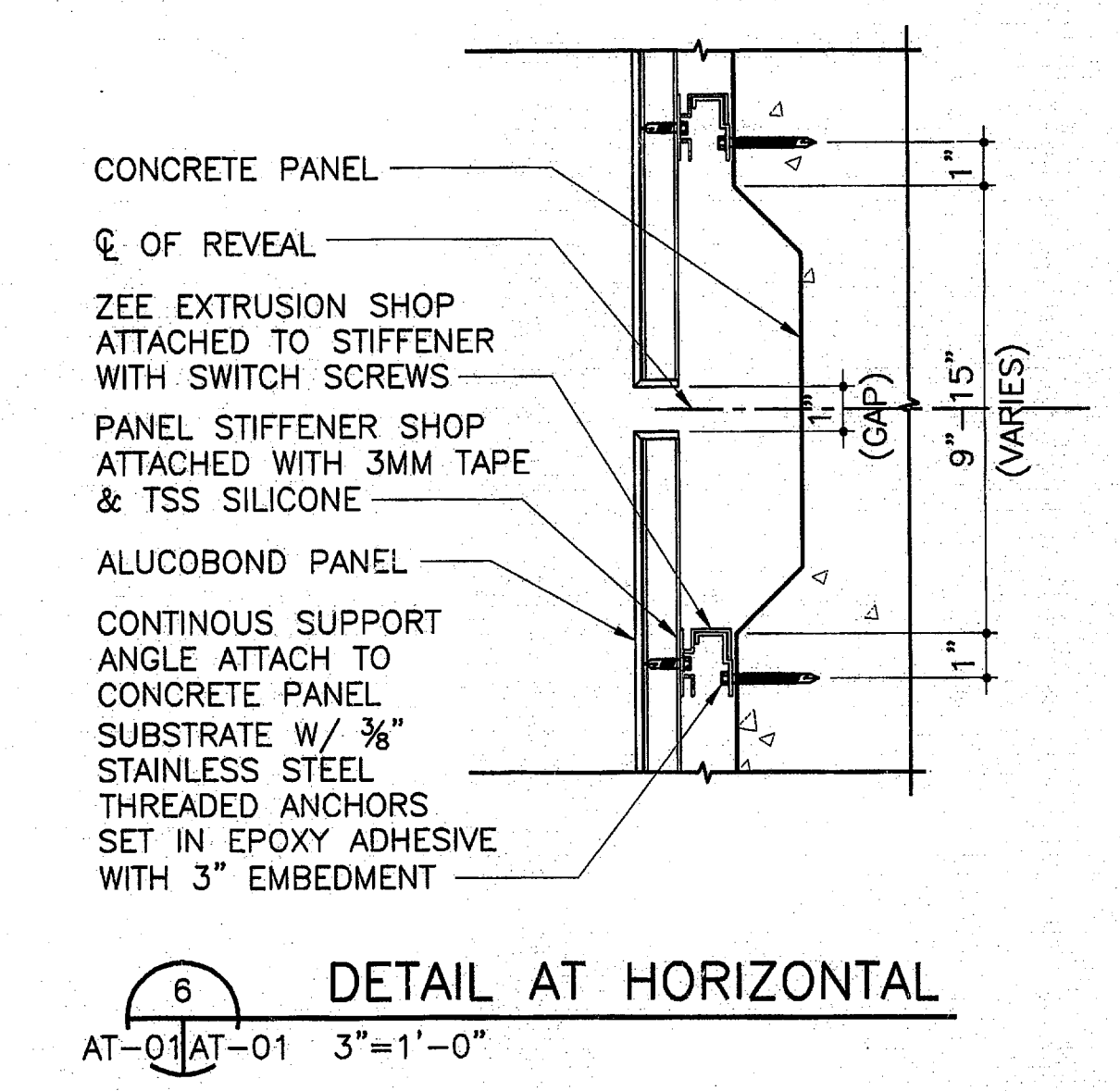
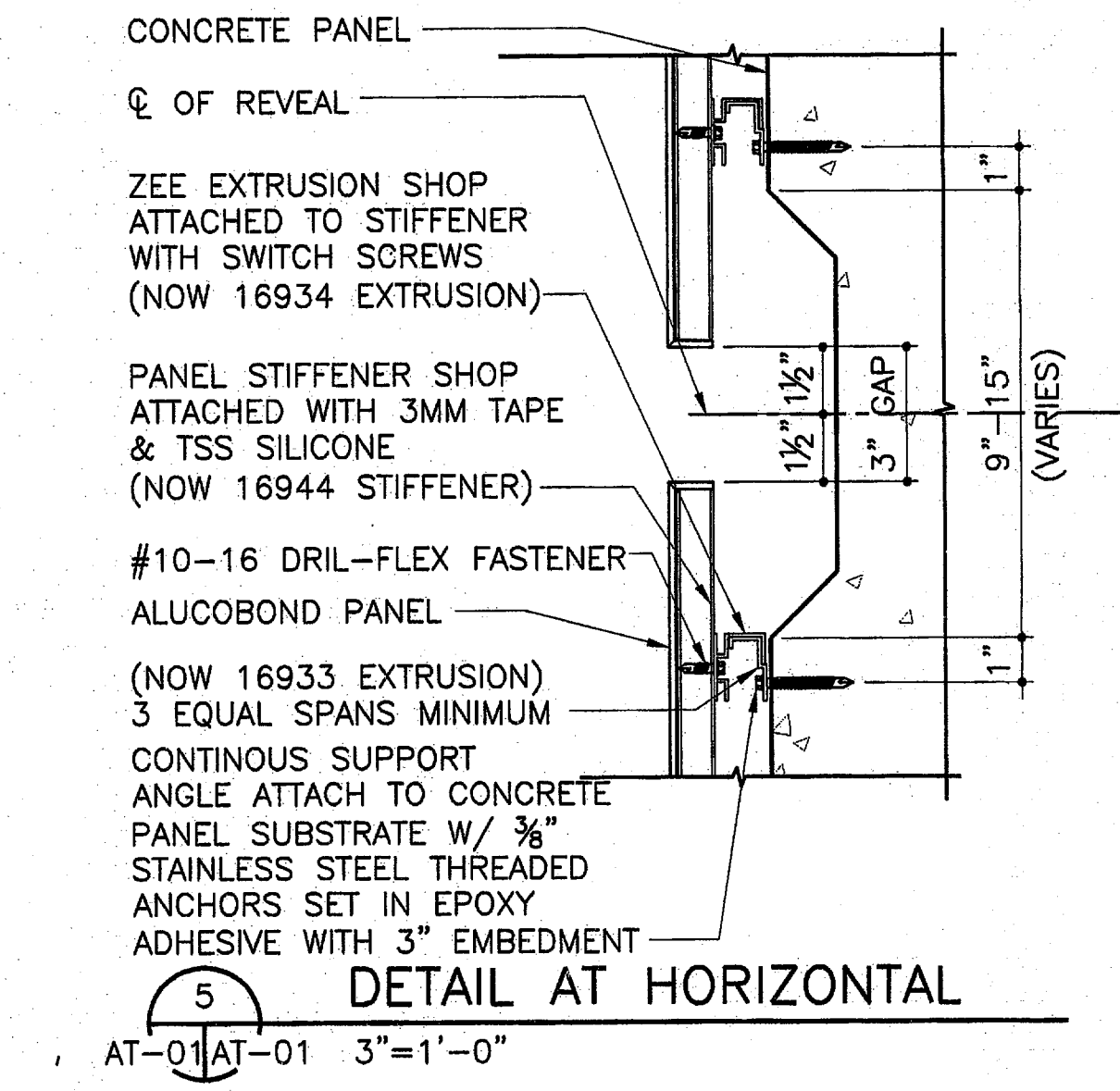
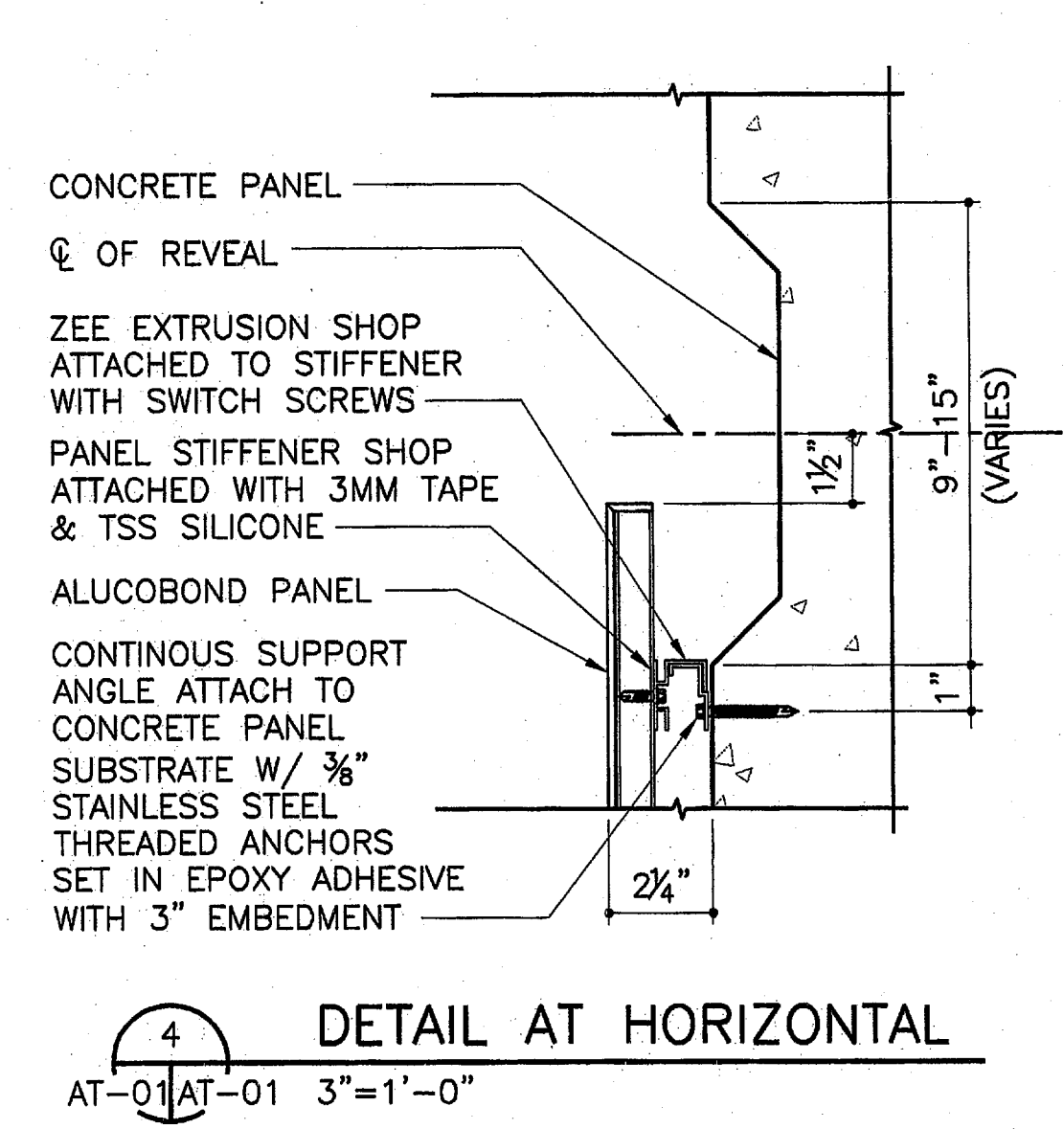
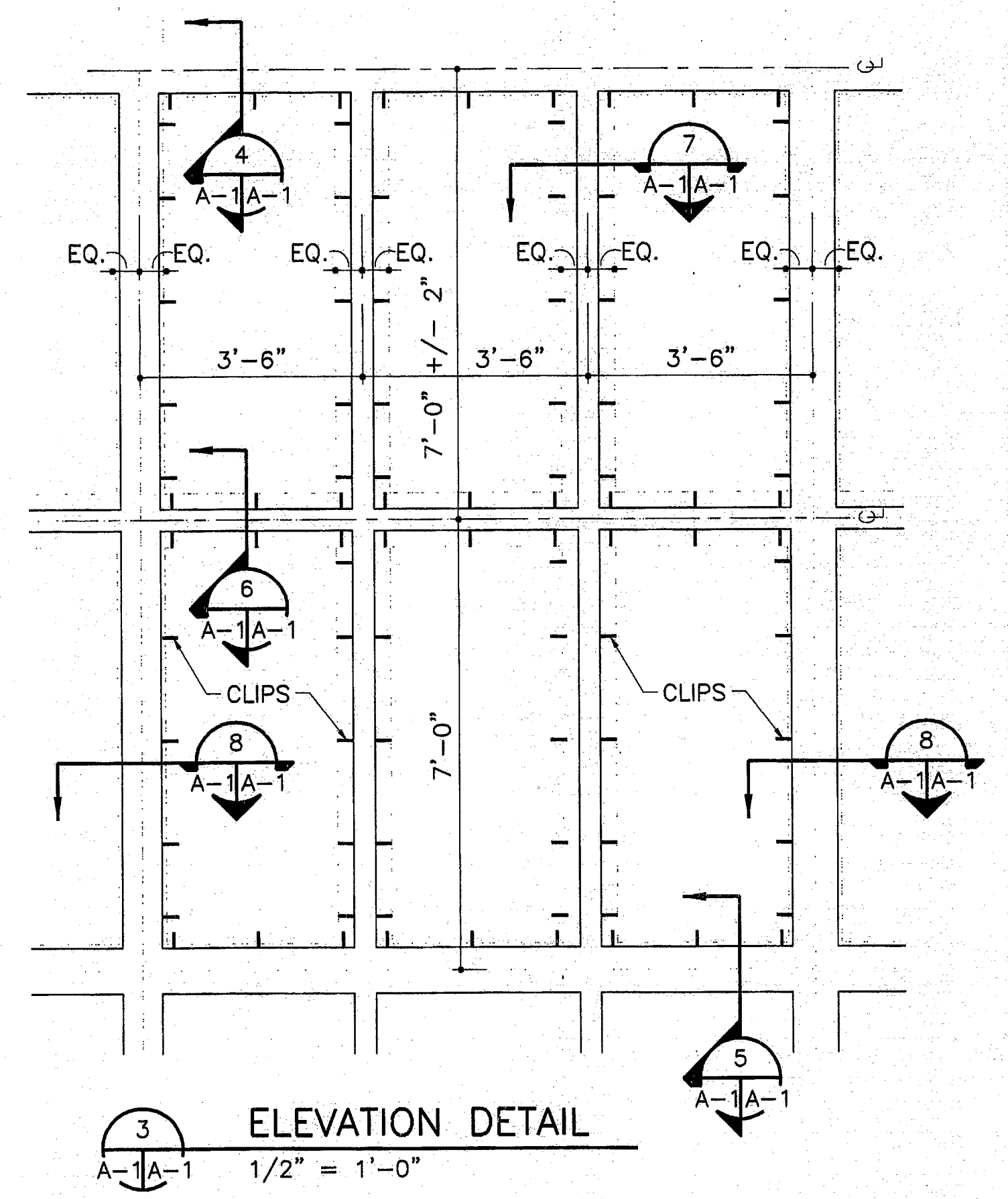
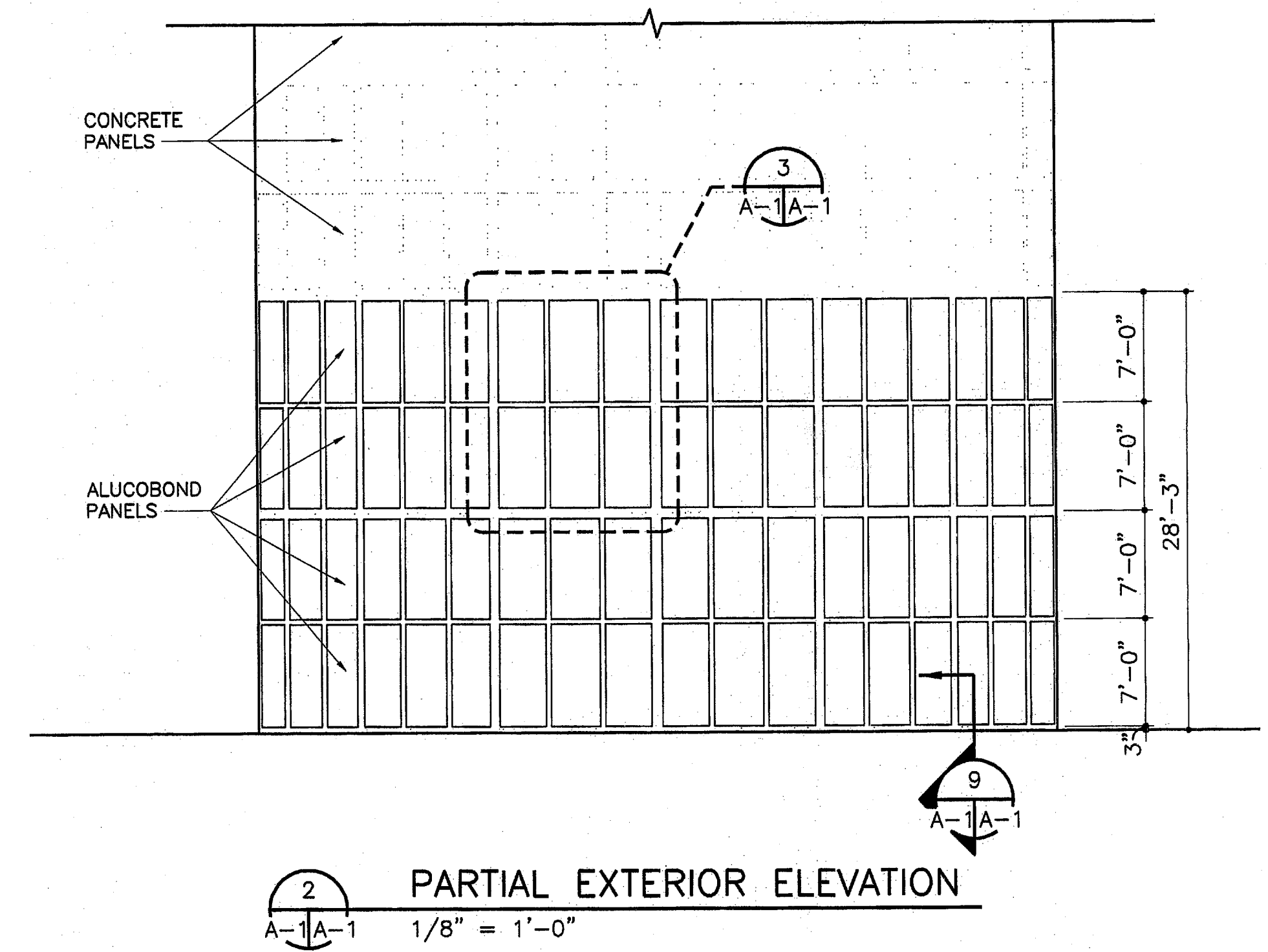
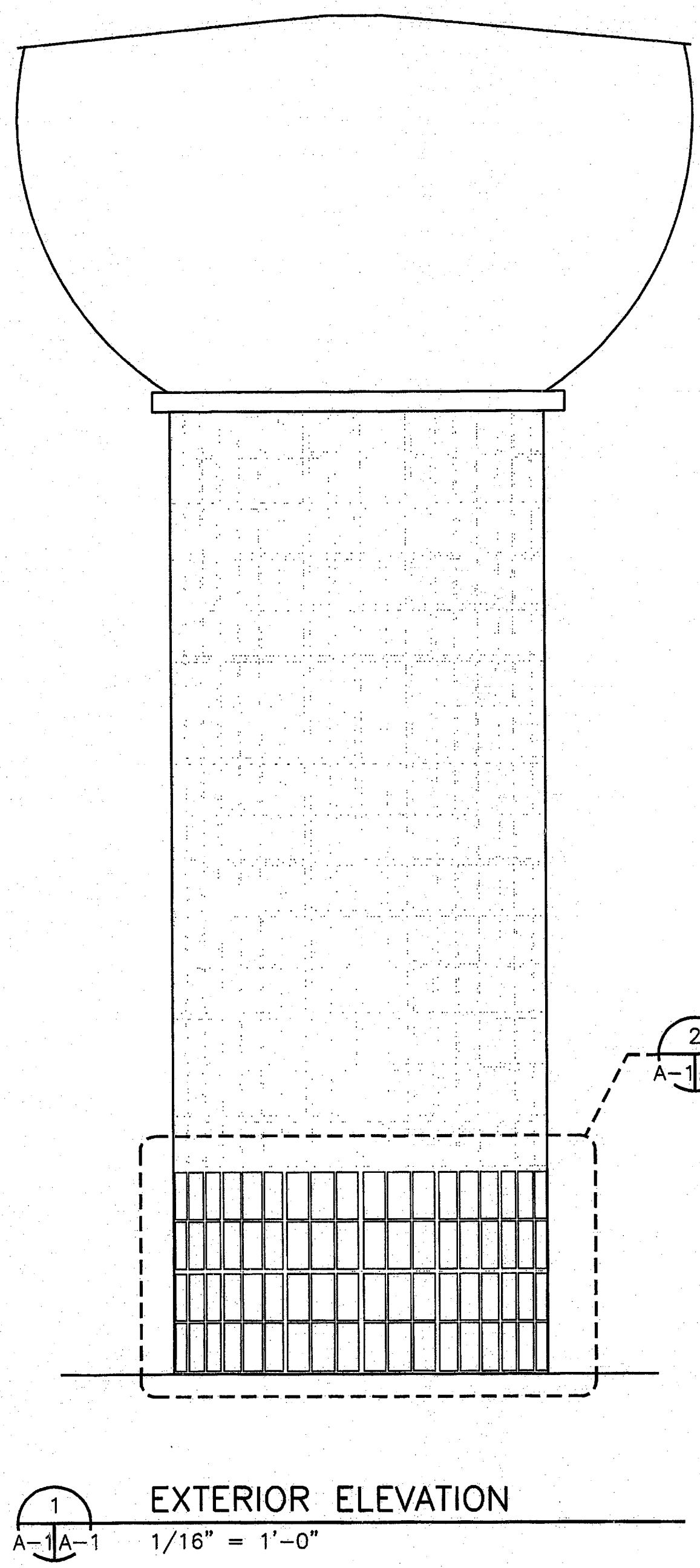
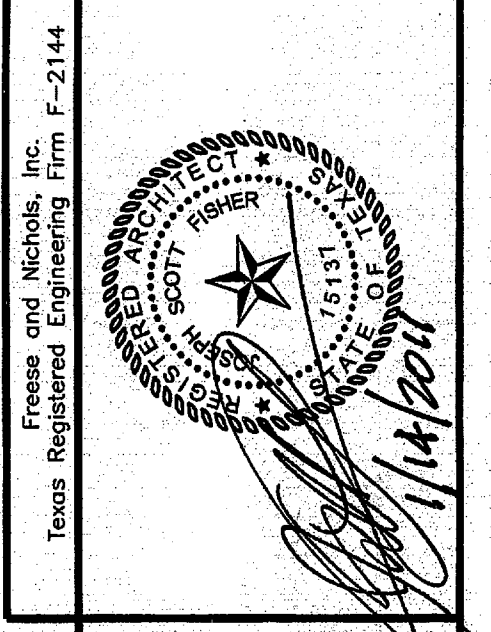
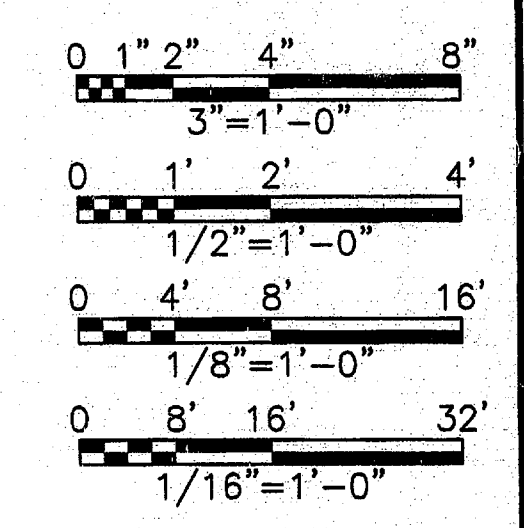


ACAD: Plt 18.1s (LMS Tech)
 (ADD08459) (DINSR2) N:\Arc\cv-util-pl-tank2.dwg LAYOUT: Layout1
 Jan 14 2011 9:14am PSLTS: 0 TWST: CLUAL\FREESE.COM
 REFERENCES: N:\Arc\34BORDER.DWG
 User: ck
 Date: Jan 14, 2011 - 9:14am



- GENERAL NOTES**
- FIELD VERIFY PANEL LOCATIONS BEFORE FABRICATION.
 - REFER 5/AT-01 FOR PART NUMBERS (TYP).



FREES & NICHOLS
 ARCHITECTURE
 2220 S.W. Nichols Blvd., Suite 330
 Denton, Texas 76205-7559
 Phone - (940) 387-4600
 Fax - (940) 387-4677

TOWN OF ADDISON, TEXAS
 SURVEYOR 1.5 MG EST
 ARCHITECTURE
 EXTERIOR ELEVATIONS AND DETAILS

NO.	ISSUE	DATE	BY	FILE NAME
		01/21/11		cv-util-pl-tank2.dwg
		DESIGNED		
		DRAWN		
		REVISED		
		CHECKED		
VERIFY SCALE: Bar is one inch on original; Bar is one inch on this sheet, adjust scale.				
SHEET AT-01				
SEQ.				