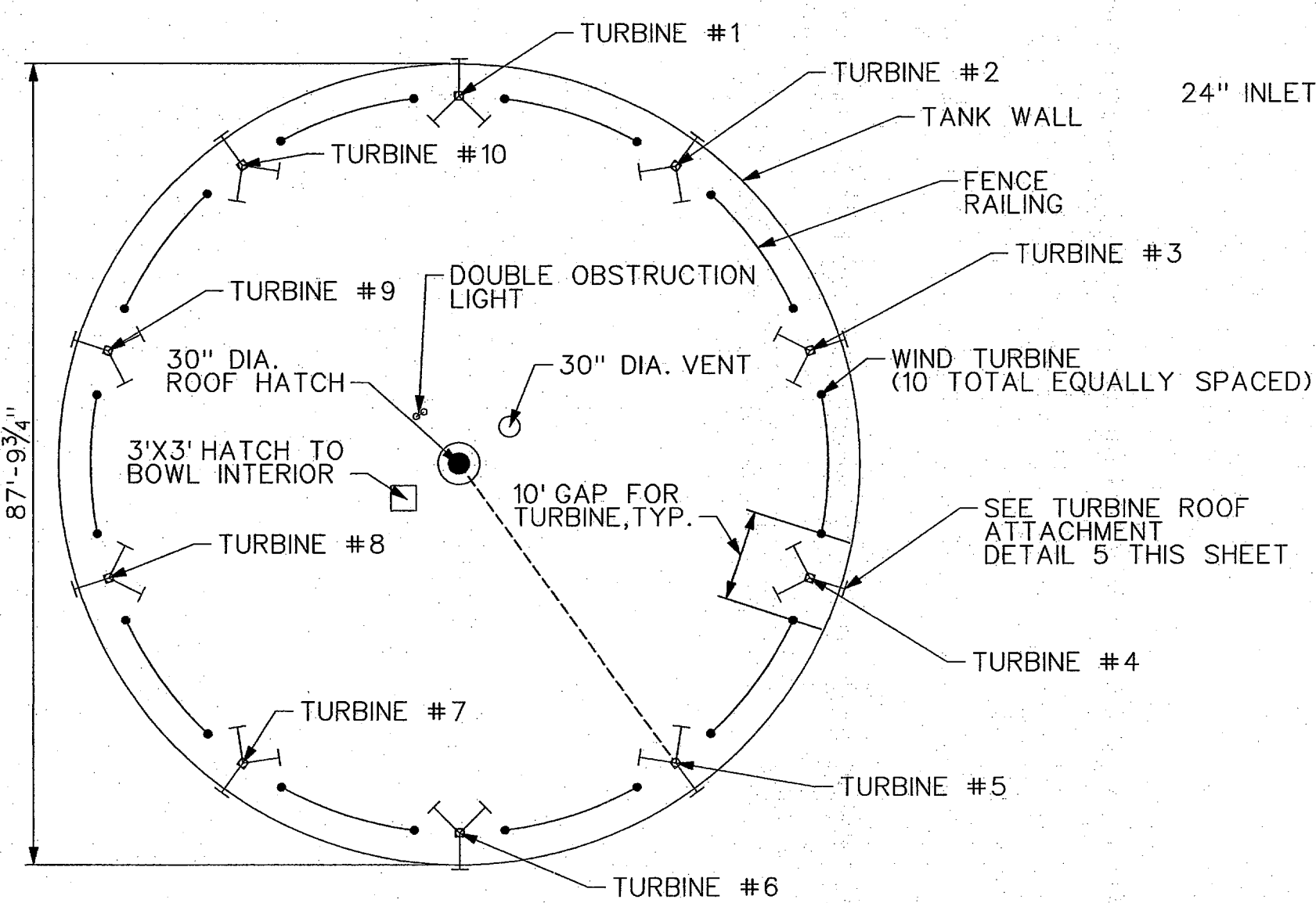


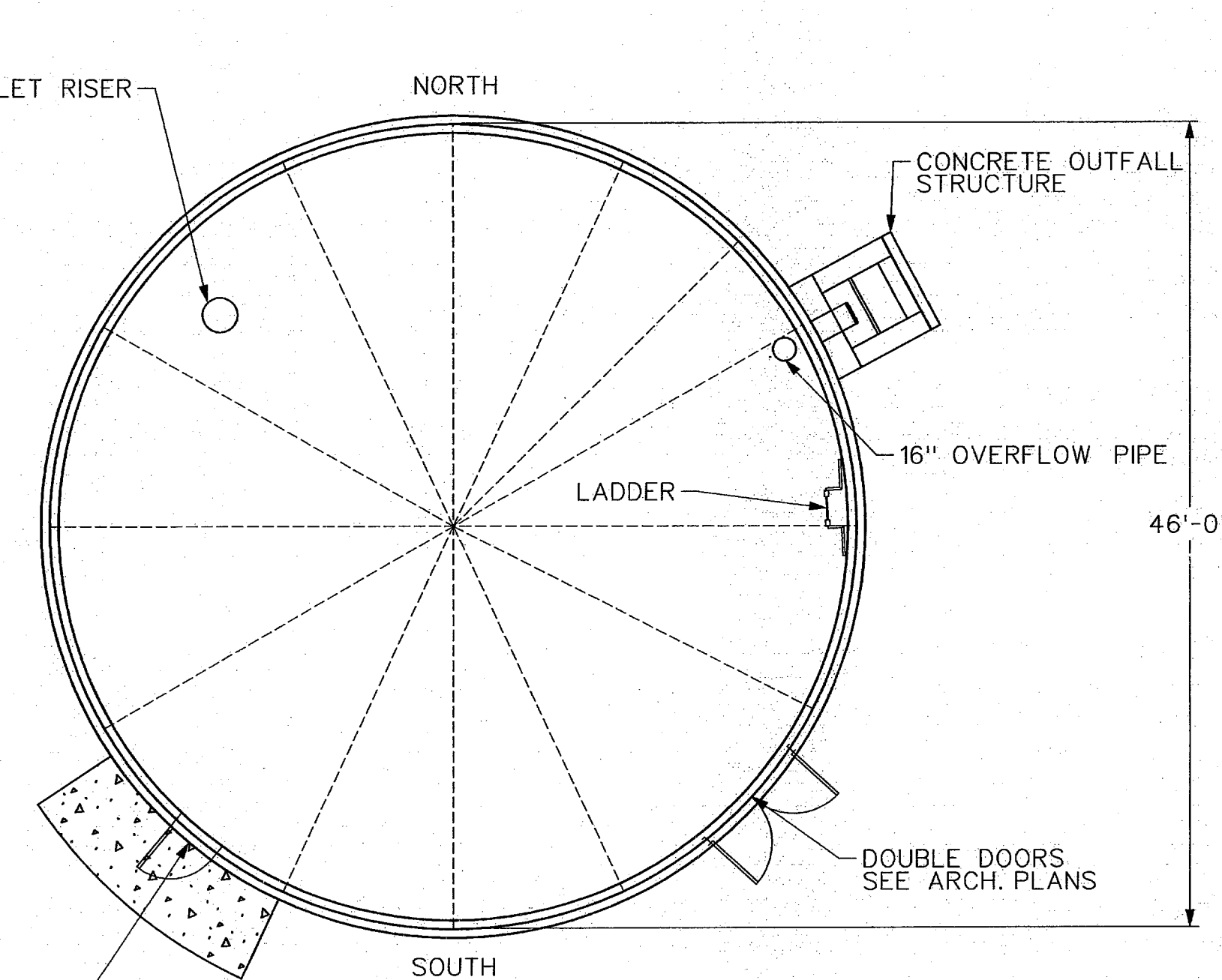
NOTES:

1. PROVIDE STEEL EYE-RINGS ON THE ROOF FOR LIFE-LINE CONNECTION WITHIN ARM LENGTH OF EACH ACCESS HATCH.
2. PEDESTAL WALL SHALL BE DESIGNED WITH ADEQUATE THICKNESS AND RE-REINFORCEMENT TO ALLOW FOR FUTURE SECOND FLOOR STORAGE.

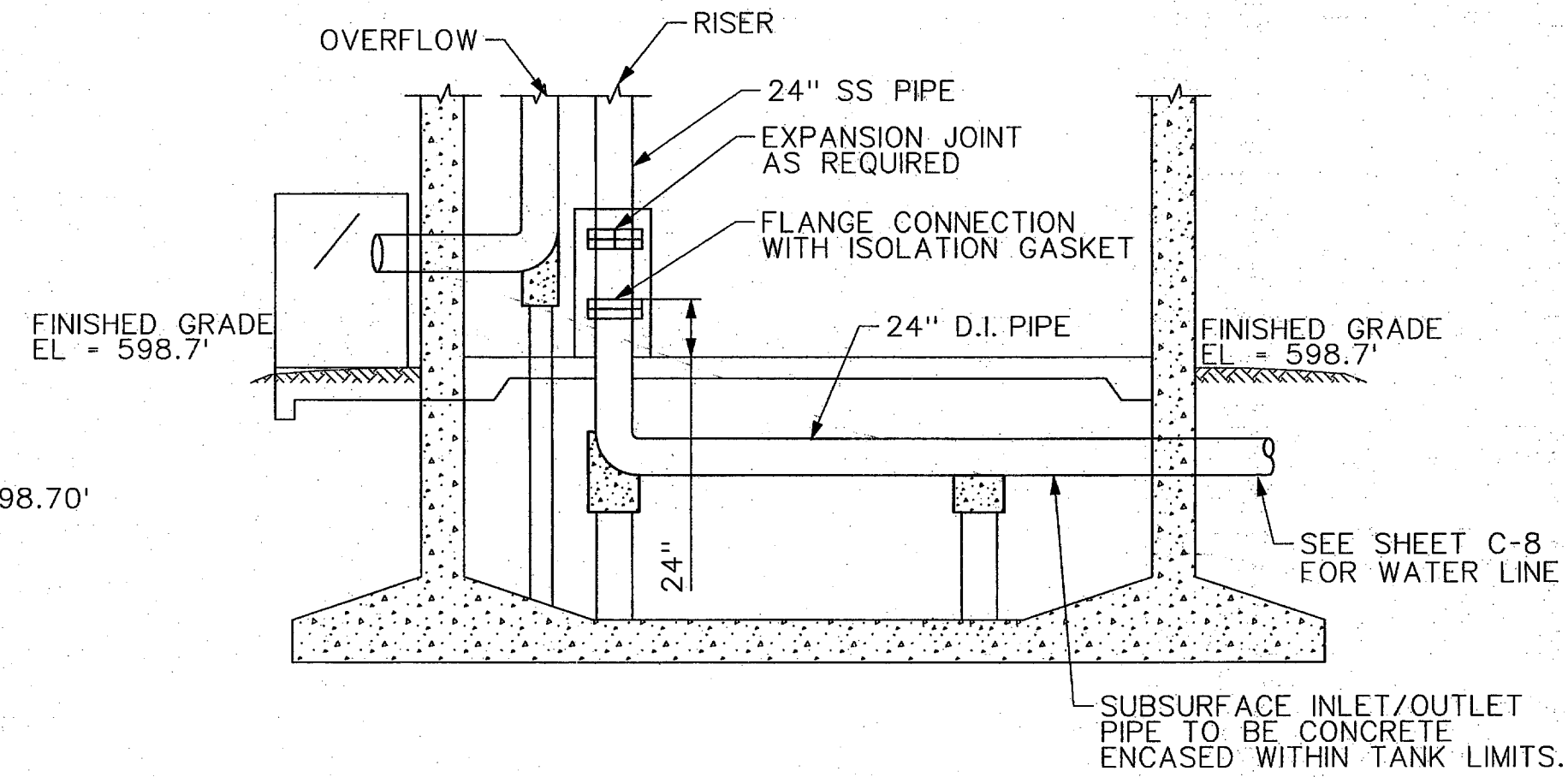
1 TANK ELEVATION
1/16" - 1'-0"



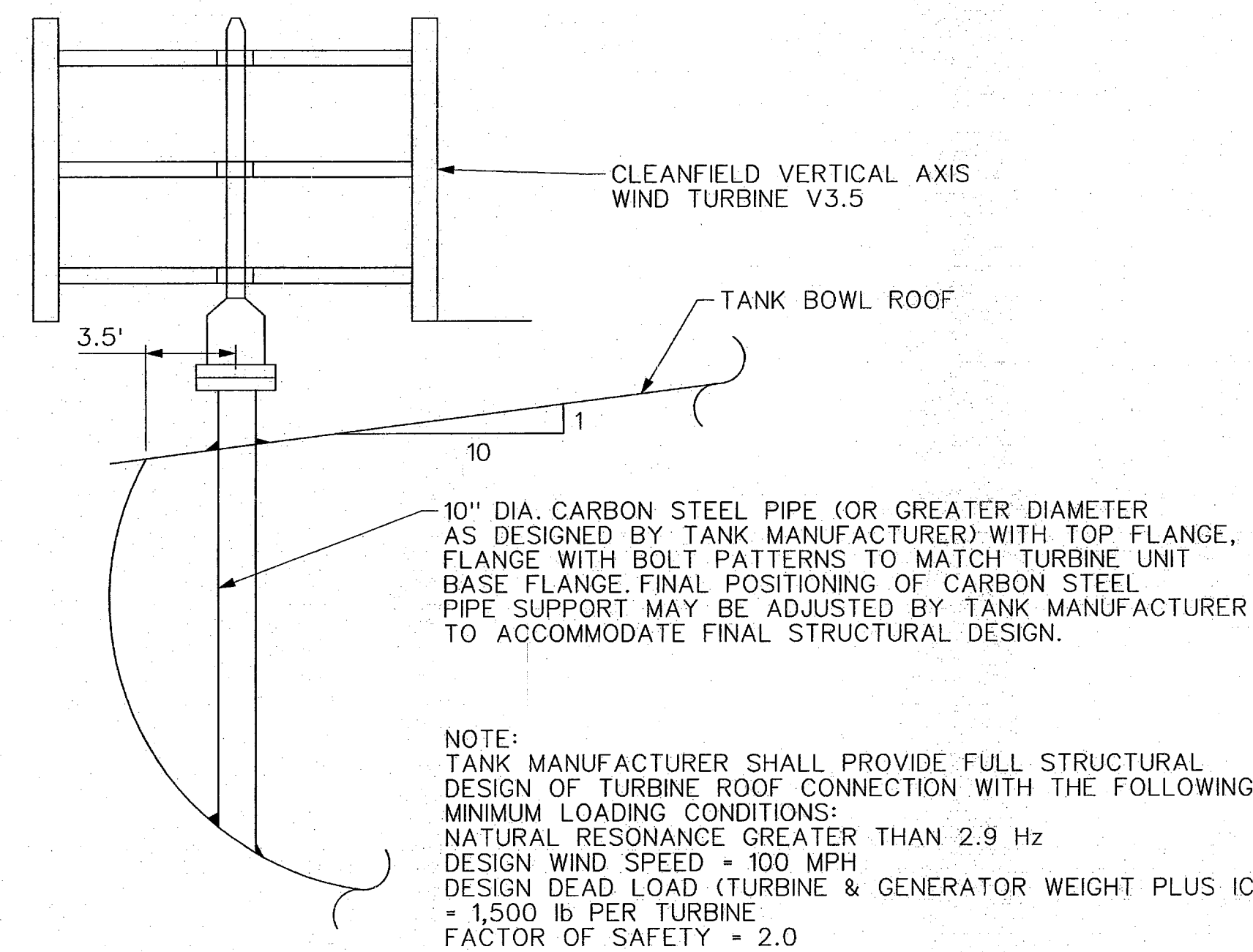
2 ROOF PLAN
1/16" - 1'-0"



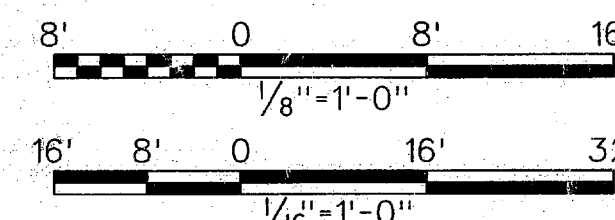
3 PEDESTAL PLAN
1/8" - 1'-0"



4 SECTION TANK PIPING
NOT TO SCALE



5 TURBINE ROOF CONNECTION DETAIL
NOT TO SCALE



MicroStation V8 User: amr, Office: Denton, Model: Sheet, Plot Scale: 1/16" = 1'-0", Date: 01/28/2011, 02:28:34 PM, Project: Freese and Nichols, Inc., CV-EST-DT-TYP01.sht, 348orcar.dgn, CV-EST-DT-TYP01.sht, CV-EST-DT-TYP01.sht, CV-EST-DT-TYP01.sht, CV-EST-DT-TYP01.sht, CV-EST-DT-TYP01.sht, CV-EST-DT-TYP01.sht, CV-EST-DT-TYP01.sht, CV-EST-DT-TYP01.sht, CV-EST-DT-TYP01.sht, CV-EST-DT-TYP01.sht, CV-EST-DT-TYP01.sht

TOWN OF ADDISON, TEXAS
 SURVEYOR 1.5 MG EST
 CIVIL
 TANK PLAN & ELEVATION

FREESE AND NICHOLS, INC.
 2220 S. W. 20th St., Suite 330
 Denton, TX 76205
 Phone: (940) 387-4600
 Fax: (940) 387-4607
 Web: www.freese.com

NO. ISSUES
 BY
 DATE
 FEN JOB NO. ADD08459
 DATE 01/21/11
 DESIGNED DAT
 DRAWN SB
 REVISION R/S
 CHECKED RGK
 FILE NAME CV-EST-DT-TYP01.sht
 VERIFY SCALE Bar is one inch on original on this sheet, adjust scale.

SHEET DT-01