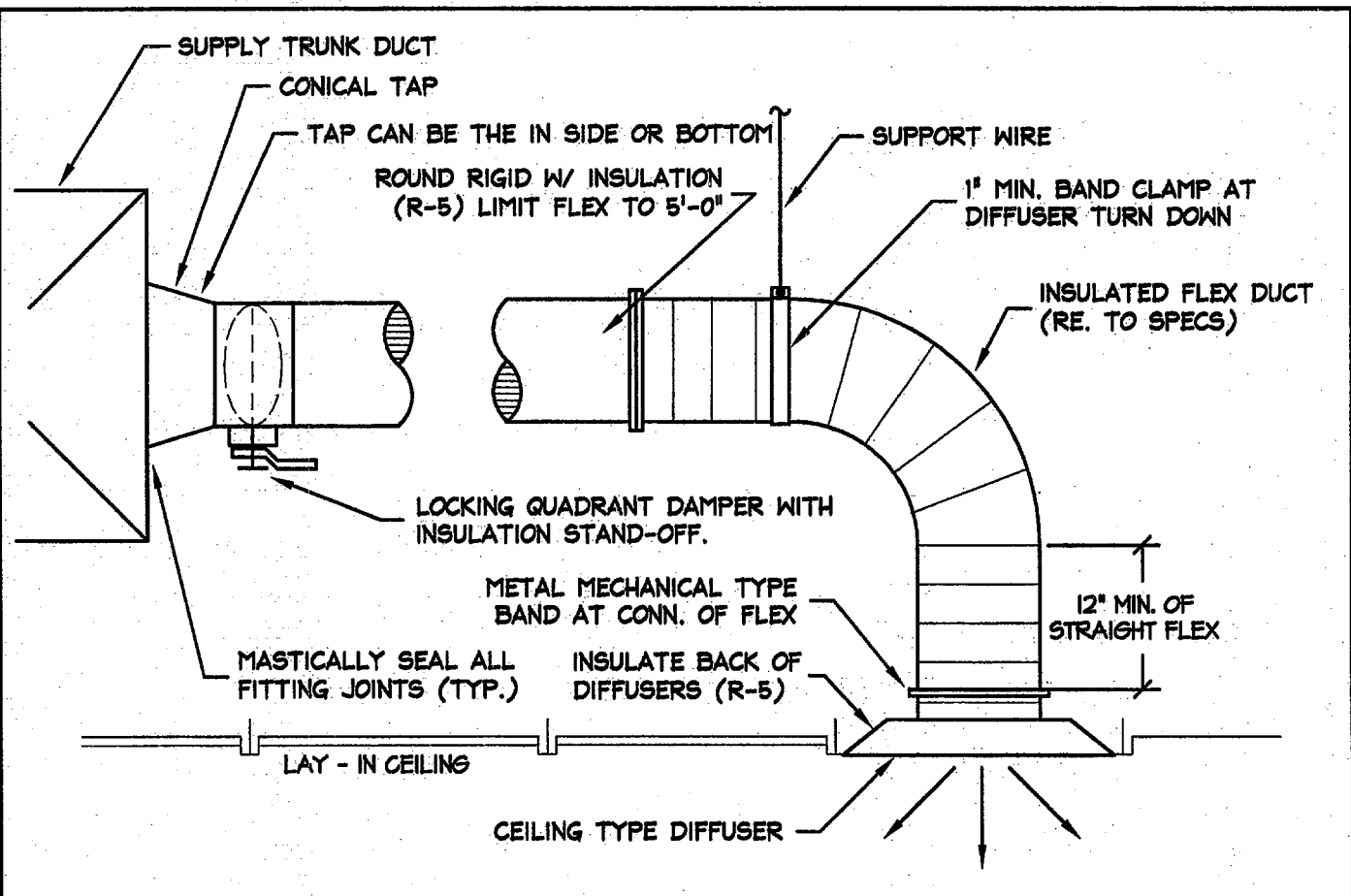
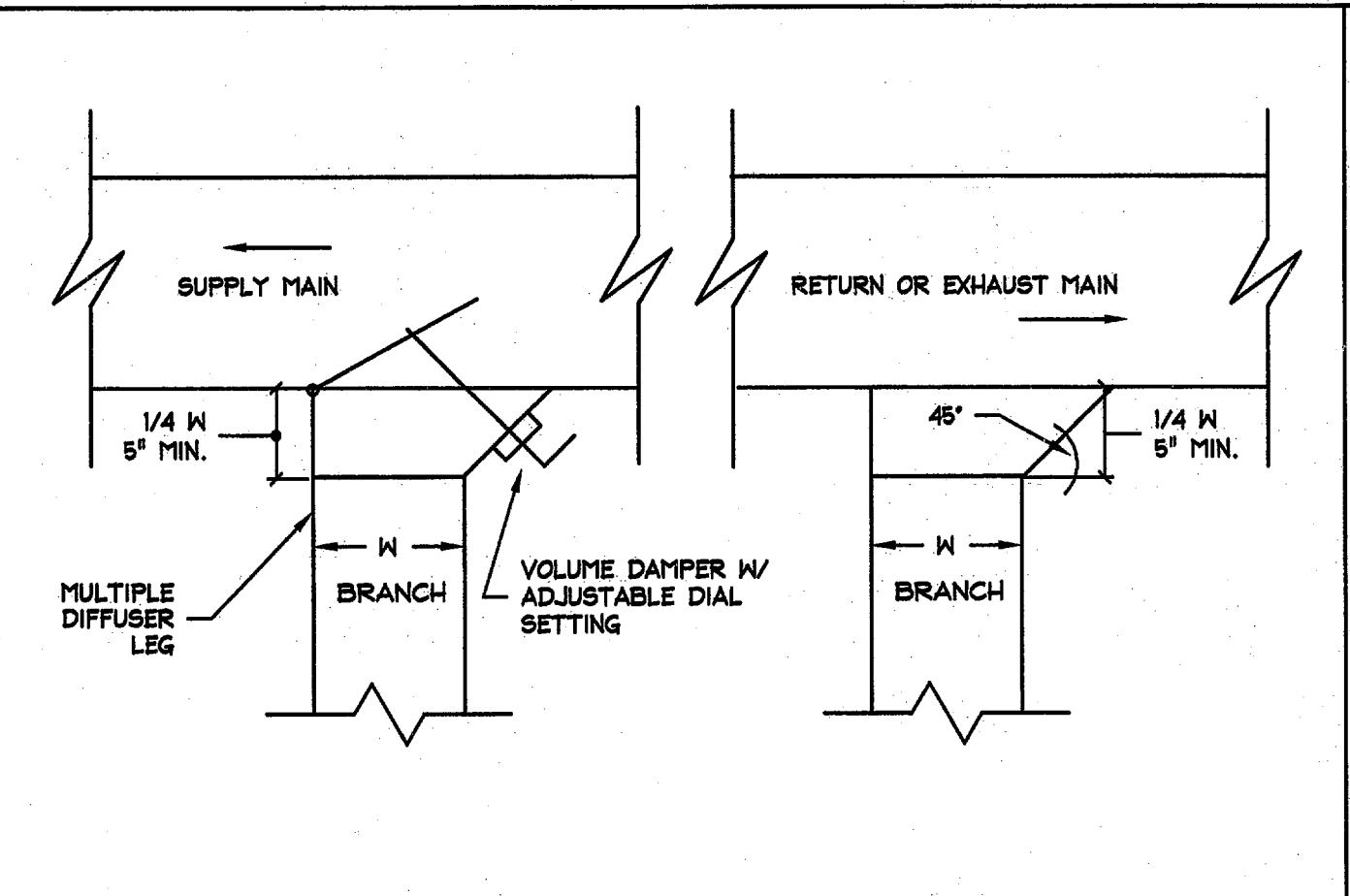


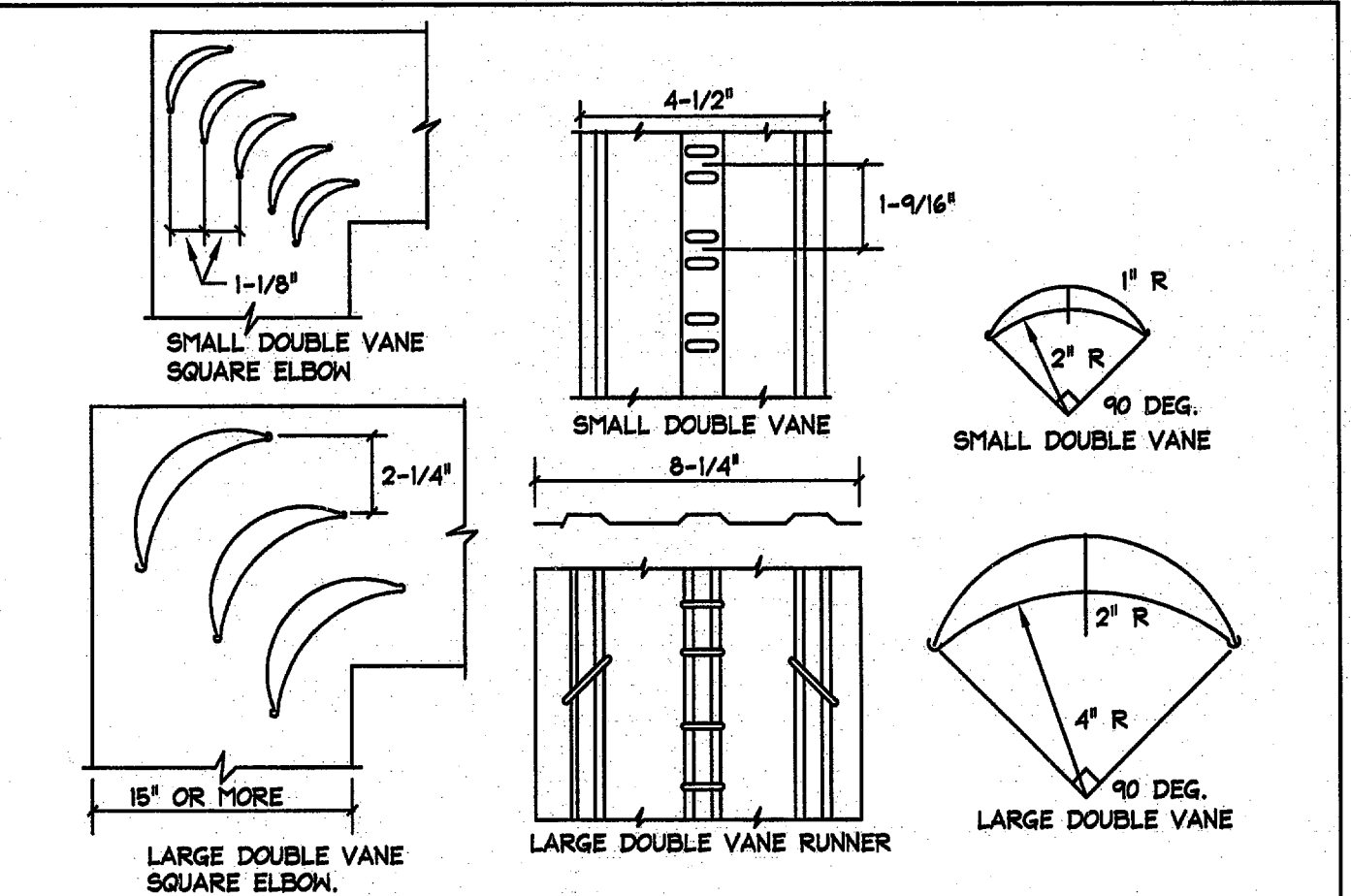
01 EXHAUST FAN - CEILING TYPE SCALE: NTS



02 TYPICAL CEILING SUPPLY DIFFUSER SCALE: NTS



03 LOW PRESSURE BRANCH TAKE OFF SCALE: NTS



04 VANED DUCT ELBOW DETAIL SCALE: NTS

AIR DEVICE SCHEDULE

MARK	DESCRIPTION	CEILING TYPE	FACE DIMENSION	TYPE	VOLUME DAMPER	FINISH	MANUF.	MODEL NO.	REMARKS ***
A	LOUVER FACE	*	24"x24"	SUPPLY	NO	PER ARCH.	TITUS	TM6	SQUARE STEEL CONCENTRIC LOUVER FACE CEILING DIFFUSER, W/ ROUND NECK INLET.
B	LOUVER FACE	SIDE WALL	SIZE AS INDICATED	SUPPLY	O.B.D.	PER ARCH.	TITUS	300FL	DOUBLE DEFLECTION ALUMINUM REGISTER WITH ADJUSTABLE BLADES ON 3/4" BLADE SPACING WITH FRONT BLADES PARALLEL TO LONG DIMENSION.
C	LOUVER FACE	*	24"x24"	RETURN	NO	PER ARCH.	TITUS	350RL	36" FIXED DEFLECTION STEEL GRILLE WITH BLADES ON 3/4" BLADE SPACING WITH BLADES PARALLEL TO LONG DIMENSION.

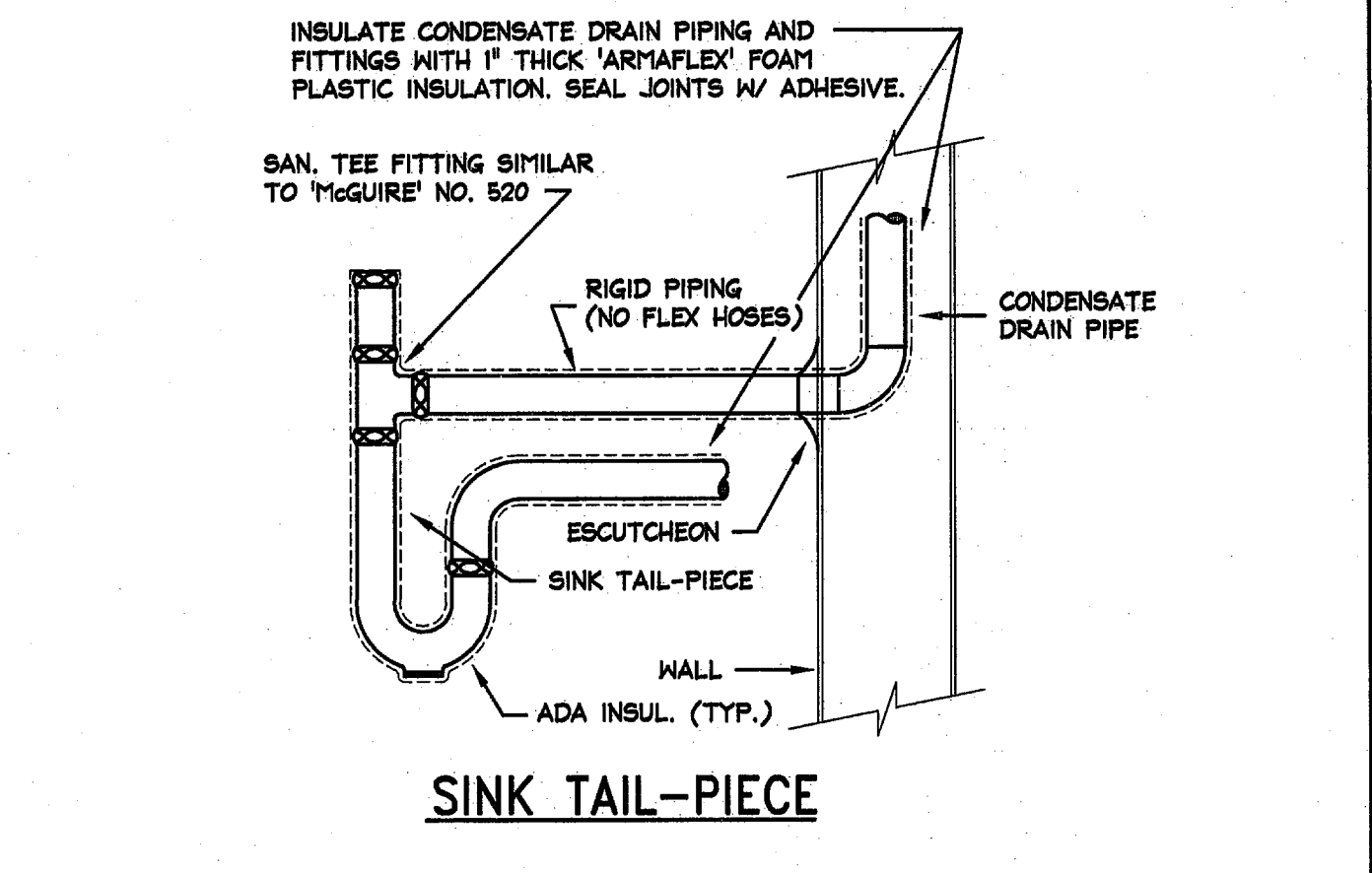
NOTES:
 1. MULTIPLE DEVICES HAVE THE SAME DESIGNATION. VERIFY EXACT NUMBER OF DEVICES WITH THE FLOOR PLANS.
 2. * VERIFY FRAME STYLE REQUIREMENTS WITH ARCHITECTURAL REFLECTIVE CEILING PLANS.

FAN SCHEDULE

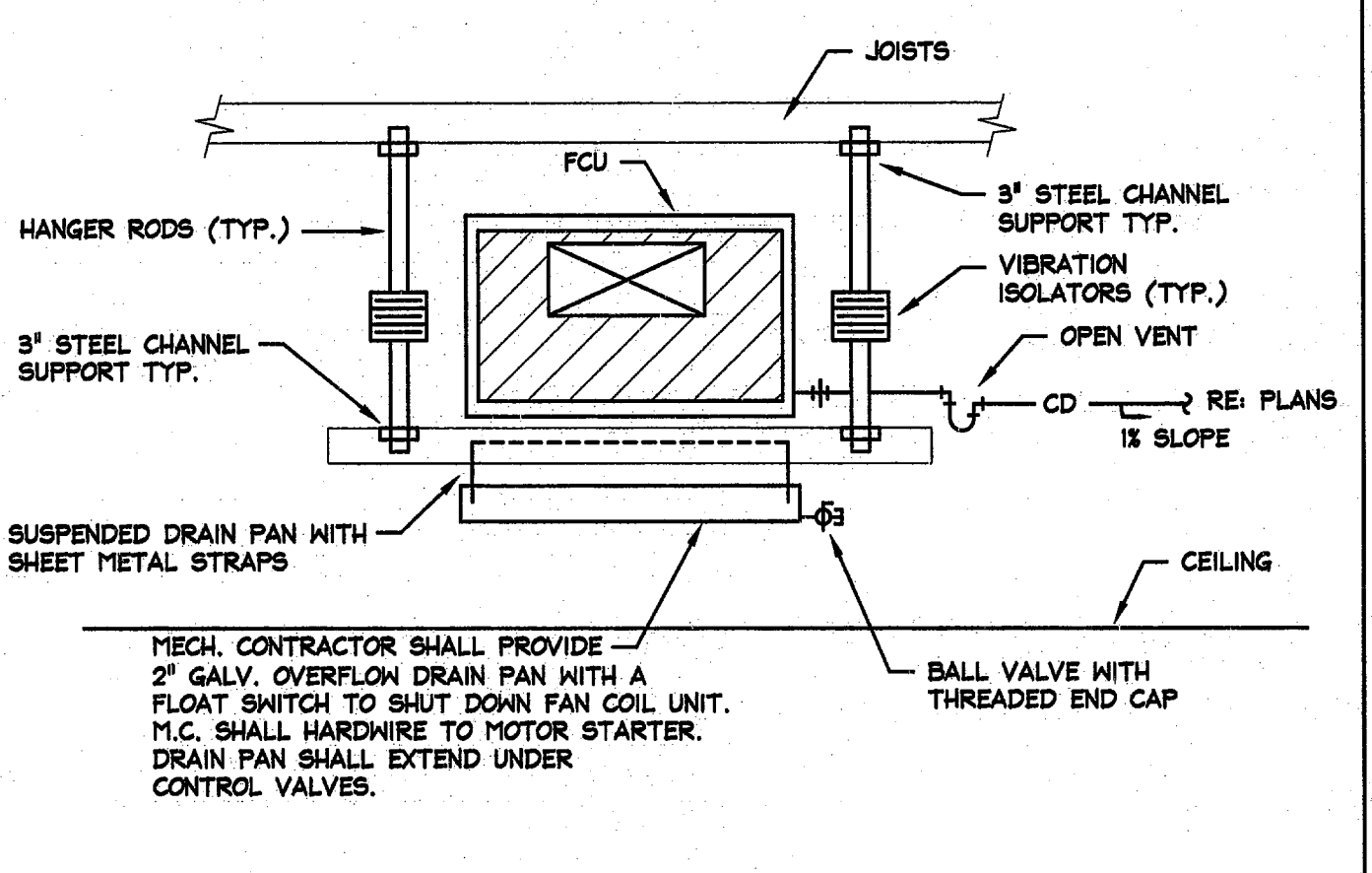
MARK	LOCATION	TYPE	CFM	S.P. ("W.G.)	MAX FAN RPM	TYPE DRIVE	MOTOR DATA					MANUFACTURER	MODEL NO.	REMARKS
							H.P.	RPM	VOLTS	PHASE	STARTER			
EF-A	ABOVE CLG.	CENTRIF.	125	0.375	1100	DIRECT	98W	1750	120	1	F.H.P.	COOK	GC-144	7,8,9

MULTIPLE UNITS HAVE THE SAME DESIGNATION. VERIFY EXACT NUMBER OF UNITS WITH THE FLOOR PLANS.

NOTES:
 (1. MINIMUM LEAKAGE GRAVITY BACKDRAFT DAMPER, (2. AUTOMATIC DAMPER WITH ACTUATOR, (3. 2-SPEED MOTOR, (4. BIRDSCREEN (5. MANUFACTURER'S ROOF CURB, (6. INLET SAFETY GUARD, (7. PREMIUM EFFICIENCY ELECTRIC MOTOR, (8. MANUFACTURER'S DISCONNECT SWITCH, (9. SPEED CONTROLLER, (10. THROW AWAY FILTERS, (11. 24" VENTED ROOF CURB, (12. EXPLOSION PROOF MOTOR AND DRIVE WITH NON SPARKING WHEEL, (13. SWITCH WITH DOOR LATCH CONTACTS.



05 CONDENSATE TERMINATION SCALE: NTS



06 FCU SUPPORT SCALE: NTS

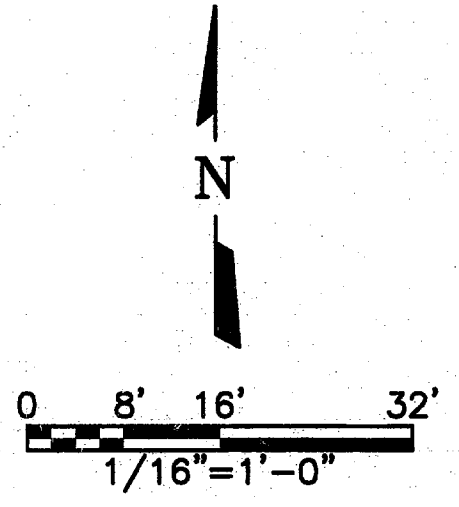
HEAT PUMP (DX) - INDOOR SECTION SCHEDULE

MARK	SUPPLY CFM	O.A. CFM	FAN E.S.P. (IN. W.G.)	FAN HP	ENT. AIR (F)		COOLING CAPACITY (MBH)		VOLTS/PHASE	AUXILIARY HEAT (KW)	MCA	MOCP	NOMINAL TONS	MANUFACTURER	MODEL NO.	REMARKS
					DB	WB	SENSIBLE	TOTAL								
HPU-1	2000	300	0.375	1	79.5	66.5	36.0	50.6	208/3	18.8	44/27	50/40	5	LENNOX	CBX32MV-060	--
HPU-2	800	---	0.375	1	75.0	65.0	12.5	20.0	208/1	3.0	23	25	2	LENNOX	CBX32MV-024	--

NOTES:
 1. MULTIPLE UNITS HAVE THE SAME DESIGNATION. VERIFY EXACT NUMBER OF UNITS WITH THE FLOOR PLANS.
 2. EXTERNAL STATIC PRESSURE (E.S.P.) IS DUCTWORK AND GRILLES ONLY. BHP SHOULD INCLUDE TWICE INITIAL FILTER LOSSES.
 3. PROVIDE RELAYS, XFMR'S, CONTROLS, ETC. FOR A SINGLE POINT ELECTRICAL CONNECTION.
 4. PROVIDE MANUFACTURER'S 7-DAY PROGRAMMABLE T-STAT WITH SUBBASE.
 5. PROVIDE ANTI SHORT CYCLE TIMER HIGH AND LOW PRESSURE SWITCH.
 6. PROVIDE VIBRATION ISOLATION PACKAGE.

HEAT PUMP (DX) - OUTDOOR SECTION SCHEDULE

MARK	SERVES	TOTAL COOLING CAPACITY AT 105F AMB. (MBH)	HEATING CAPACITY AT 17F AMB. (MBH)	MINIMUM SUCTION TEMP. (F)	ELECTRICAL DATA				MIN. EER	NOMINAL TONS	MANUFACTURER	MODEL NO.	REMARKS	OPERATING WEIGHT (>200 LBS.)
					VOLTS	PHASE	MCA	MOCP						
HCU-1	HPU-1	50.6	52.5	42	208	3	23.9	40	12	5	LENNOX	SPB060H4	--	331
HCU-2	HPU-2	20.0	12.9	42	208	1	15.7	25	12	2	LENNOX	XP19-024	--	304



S. Toub & Associates Inc.
 Mechanical / Electrical
 13841 Omega Road, Dallas, Texas 75244
 972-796-6629
 The seal on this document was authorized by Richard L. Norris, P.E., 10089 on the date shown below.
 Richard L. Norris
 State of Texas
 License No. 10089
 2011.01.13 11:48:38

FREESHE & NICHOLS
 2220 San Jacinto Blvd., Suite 330
 Denton, Texas 76205-3686
 Phone (817) 397-4600
 Fax (817) 397-4677

TOWN OF ADDISON, TEXAS
 SURVEYOR 1.5 MG EST
 M.E.P.
 MECHANICAL SCHEDULES

NO.	ISSUE	DATE	BY	FILE NAME
				4049-M-2.dwg

Bar is one inch on original drawing, if not one inch on this sheet, adjust scale.

VERIFY SCALE

SHEET M-2