

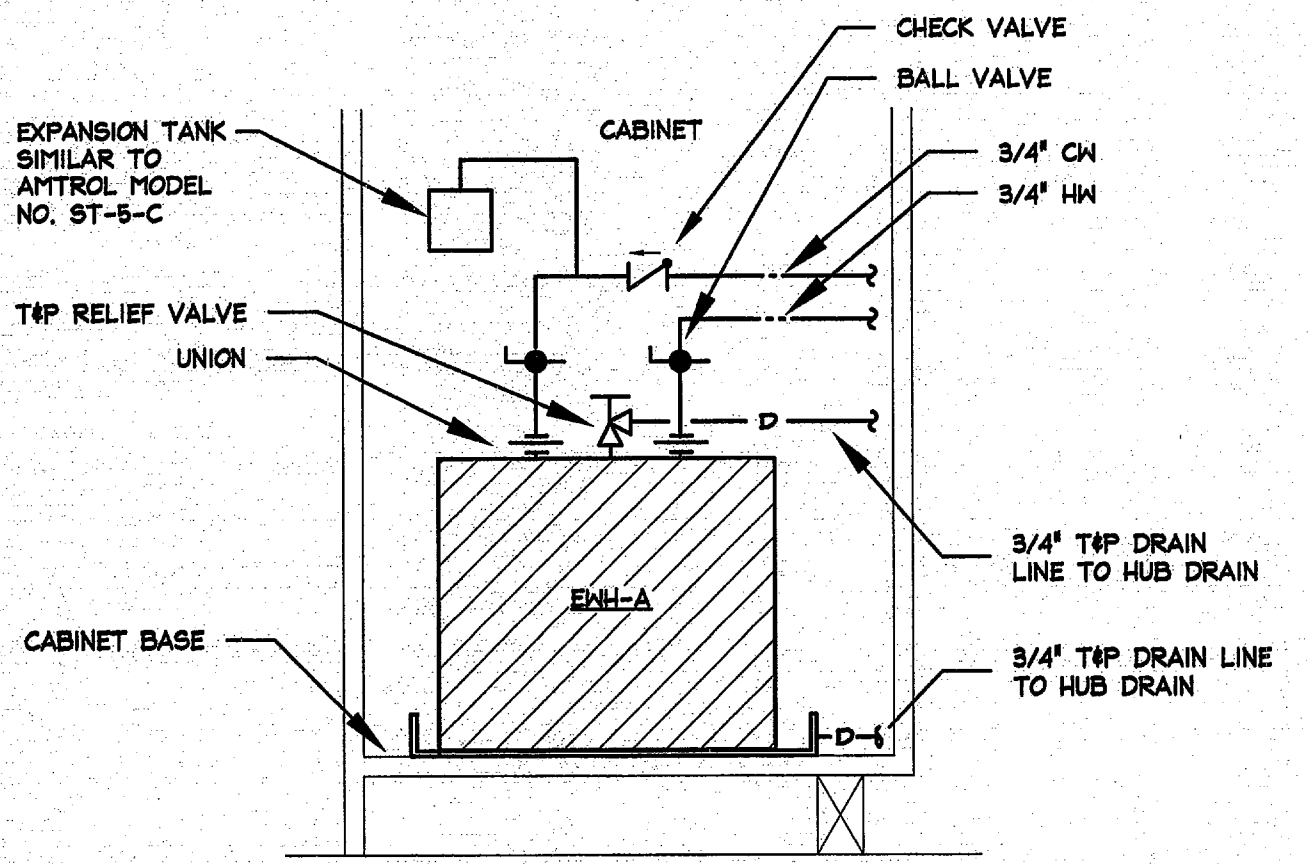
ELECTRIC WATER HEATER SCHEDULE										
DESIG.	MANUFACTURER	MODEL NUMBER	STORAGE GALLONS	RECOVERY RATE G.P.H.	TEMP. RISE	LEAVING WATER TEMP.	KW	VOLTAGE	PHASE	REMARKS
EWH-A	A.O. SMITH	DEL-5	5	14	60°F	120°F	2.0	208	1Ø	SEE NOTES

- NOTES:
- INSTALL WATER HEATER PER MANUFACTURER'S INSTRUCTIONS. INSTALL EXPANSION IF REQUIRED BY GOVERNING JURISDICTION.
 - CONTRACTOR SHALL PROVIDE BALL VALVES AND DIELECTRIC UNIONS AT WATER HEATER CONNECTIONS.
 - CONTRACTOR SHALL PROVIDE T&P RELIEF VALVE, DRAIN VALVE AND EMERGENCY OVERFLOW DRAIN PAN FOR WATER HEATER. T&P AND OVERFLOW DRAINS SHALL DISCHARGE OUTSIDE OR INTO NEAREST OPEN SIGHT DRAIN.

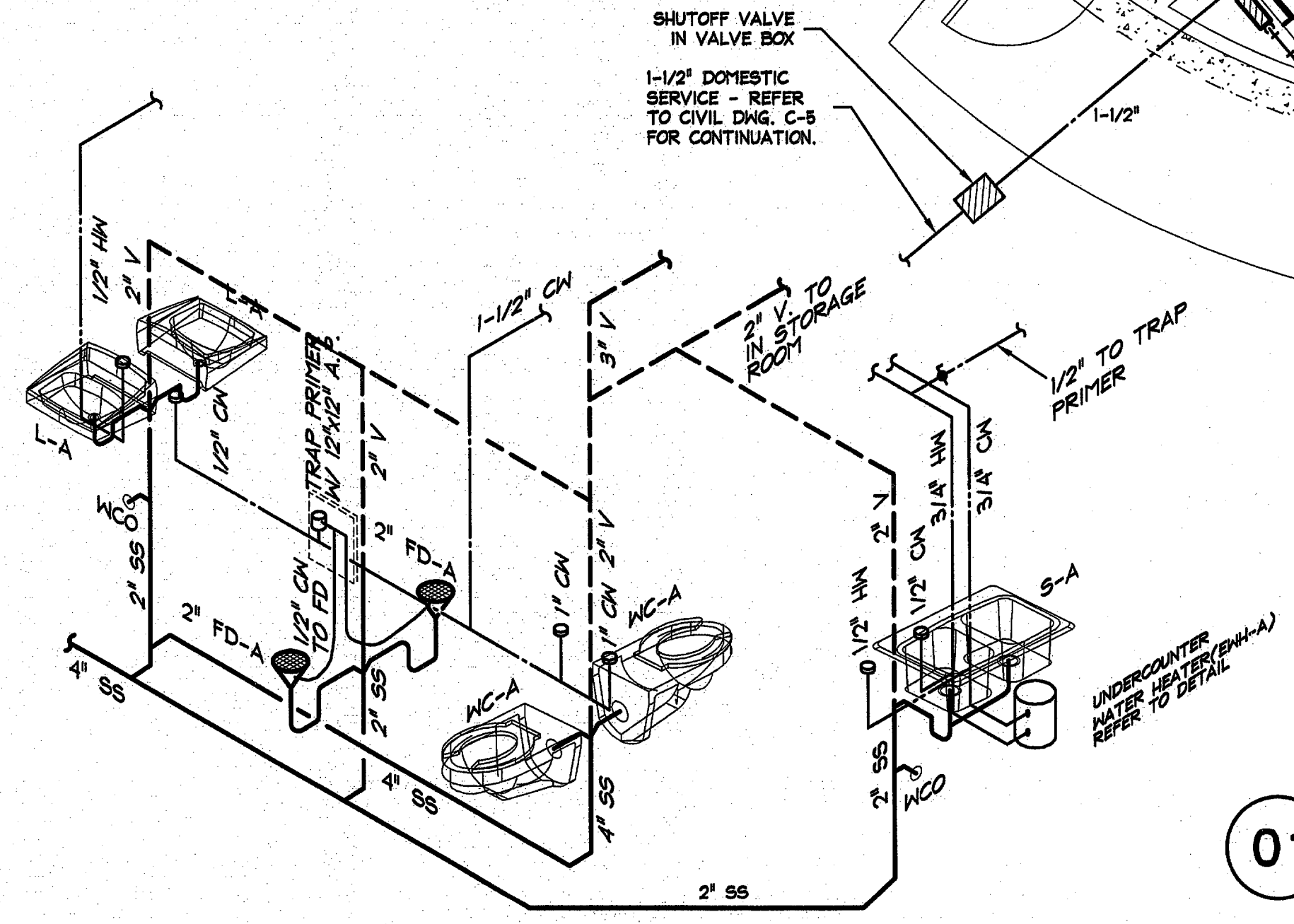
PLUMBING FIXTURE SCHEDULE							
DESIG.	DESCRIPTION	MANUFACTURER & MODEL NUMBER	SAN. SWR SIZE	VENT SIZE	COLD WTR SIZE	HOT WTR SIZE	DESCRIPTION / REMARKS
WC-A	WALL MOUNTED DUAL FLUSH WATER CLOSET W/ FLUSH VALVE (ADA)	TOTO AGUIA #CT418FG TANK #HT1521 PUSH PLATE #TT800#WH	4"	2"	1"	-	WALL MOUNTED TO IN-WALL TANK SYSTEM, LOW CONSUMPTION DUAL-MAX FLUSHING SYSTEM SHALL BE 1.6 GPF & 0.9 GPF, ELONGATED FRONT BOWL AND WALL MOUNTED PUSH-BUTTON TYPE TRIP LEVER MOUNTED AT ADA HEIGHT WITH TOTO SS204R01 SOLID PLASTIC OPEN FRONT SEAT WITH SOFTCLOSE COVER.
L-A	WALL LAVATORY W/ TOUCHLESS DECK MOUNT FAUCET (ADA)	KOHLER KINGSTON #2005 KOHLER #K-13467-CP	2"	2"	1/2"	1/2"	VITREOUS CHINA, FAUCET LEDGE, FRONT OVERFLOW, UNDERCOUNTER MOUNT LAVATORY WITH FAUCET. FURNISH COMPLETE WITH CHROME PLATED 1/2 INCH P-TRAP, KEYLESS ANGLE STOPS, GRID STRAINER AND FLEXIBLE METAL SUPPLIES. FAUCET SHALL BE CAST BRASS, POLISHED CHROME PLATED FINISH, ABOVE COUNTER BATTERY & VALVE, VANDAL RESISTANT, 0.5 GPM.
FD-A	FLOOR DRAIN (RESTROOMS AND EXPOSED AREAS)	JOSAM #30000-A-50-VP	-	2"	1/2"	-	CAST IRON FLOOR DRAIN, TWO PIECE BODY WITH DOUBLE DRAINAGE FLANGE, INVERTIBLE NON-PUNCTURING FLASHING COLLAR, WEEPHOLES, BOTTOM OUTLET AND ADJUSTABLE SATIN NIKALOY STRAINER, 1/2" TRAP PRIMER CONNECTION AND SECURED GRATE WITH VANDAL-PROOF SCREWS. VERIFY ROUND OR SQUARE TOP STRAINER WITH ARCHITECT.
S-A	DOUBLE COMPARTMENT STAINLESS STEEL SINK (ADA)	ELKAY LRAD-3319 MOEN #8242	2"	2"	1/2"	1/2"	DOUBLE COMPARTMENT, 20 GAUGE, TYPE 304 NICKEL BEARING STAINLESS STEEL, SELF RIMMING SINK WITH (4) FAUCET HOLES (35"x19"x6-1/2"D). UNDERSIDE OF SINK IS FULLY UNDERCOATED. FURNISH COMPLETE WITH CHROME PLATED 1/2 INCH P-TRAP AND ANGLE STOPS WITH FLEXIBLE METAL SUPPLIES. FAUCET SHALL BE HEAVY DUTY CAST BRASS, POLISHED CHROME PLATED FINISH, TWO LEVER HANDLES, CERAMIC CARTRIDGE, 12" SWIVEL GOOSENECK SPOUT, 2.0 LAMINAR FLOW CONTROL AERATOR, LK-35 STRAINER & SPRAYER.

PLUMBING FIXTURE SCHEDULE NOTES:

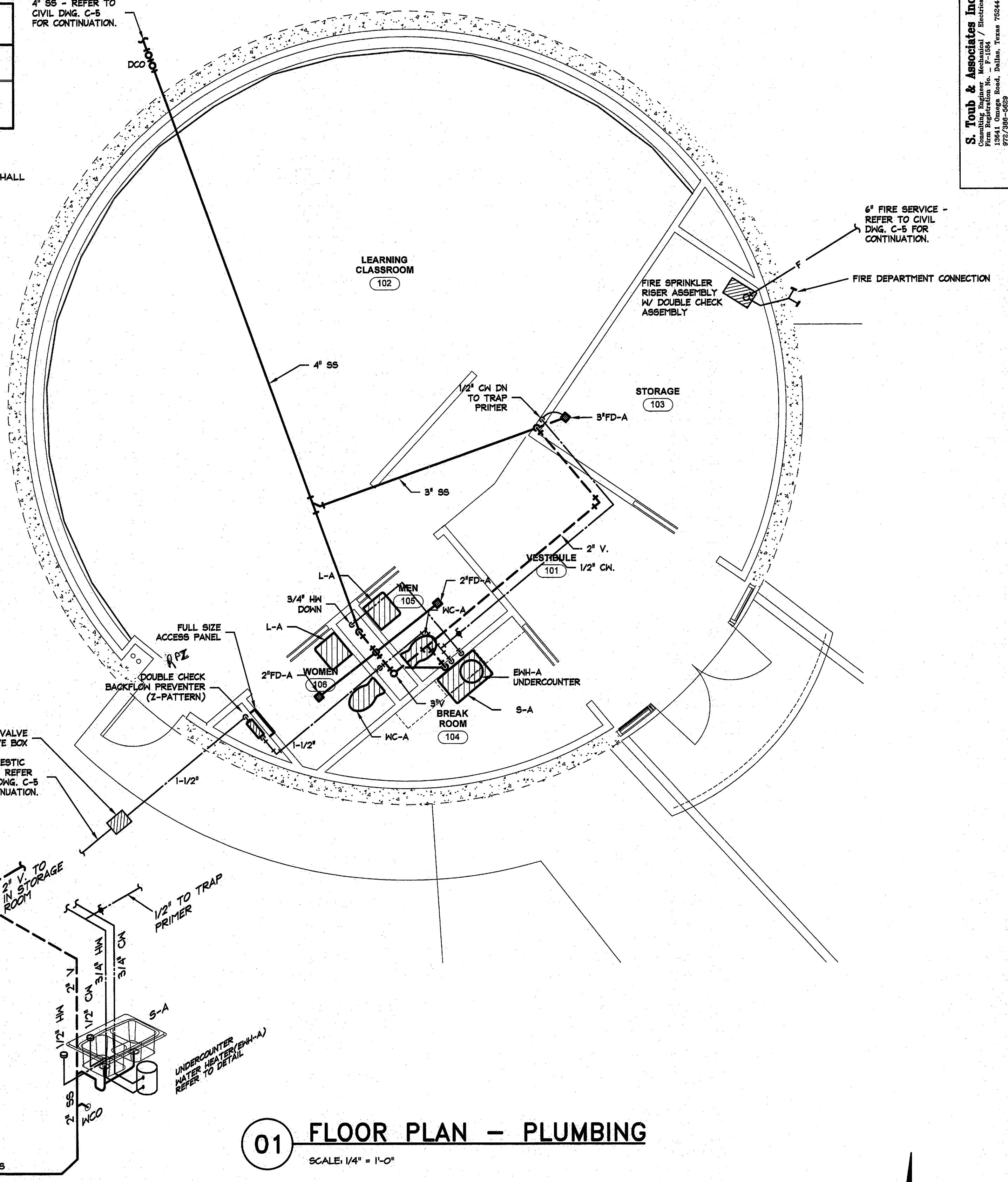
- CONTRACTOR SHALL REFER TO ARCHITECTURAL DRAWINGS FOR MOUNTING HEIGHTS AND LOCATIONS OF ALL PLUMBING FIXTURES INCLUDING HANDICAPPED (ADA) FIXTURES. CONTRACTOR SHALL COORDINATE ADA REQUIREMENTS WITH ARCHITECT PRIOR TO INSTALLATION OF PLUMBING FIXTURES.
- FLUSH TANK FOR THE HANDICAPPED PLUMBING FIXTURES SHALL BE INSTALLED WHERE THE HANDLE FACES INTO THE OPEN AREA WITHIN THE STALL. (TOWARDS THE CENTER OF STALL)
- CONTRACTOR SHALL PROVIDE FLEXIBLE MOLDED INSULATION SIMILAR TO TRUEBRO 'LAV GUARD' ON P-TRAPS, WATER SUPPLIES AND VALVES SERVING ADA PLUMBING FIXTURES. CONTRACTOR SHALL PROVIDE OFFSET P-TRAPS ON ADA FIXTURES.
- CONTRACTOR SHALL INSTALL ALL PLUMBING FIXTURES SHOWN ON THE ARCHITECTURAL, KITCHEN, PLUMBING AND OWNER FURNISHED DRAWINGS.
- CONTRACTOR SHALL FURNISH AND INSTALL ON EACH PLUMBING FIXTURE CHROME PLATED BRASS P-TRAP, NIPPLES WITH ESCUTCHEON, CHROME PLATED BRASS ANGLE SUPPLIES WITH ALL METAL CONSTRUCTION CHROME PLATED FLEXIBLE BRASS RISERS WITH NIPPLES AND CHROME PLATED BRASS ESCUTCHEONS WITH CAST SET SCREW.
- CONTRACTOR SHALL PROVIDE ALL NECESSARY FITTINGS, PIPING, SUPPORTS, ETC. TO INSTALL EACH PLUMBING FIXTURE PER MANUFACTURER'S INSTALLATION INSTRUCTIONS AND TO COMPLY WITH CITY, STATE, ADA AND TAS CODES AND STANDARDS.



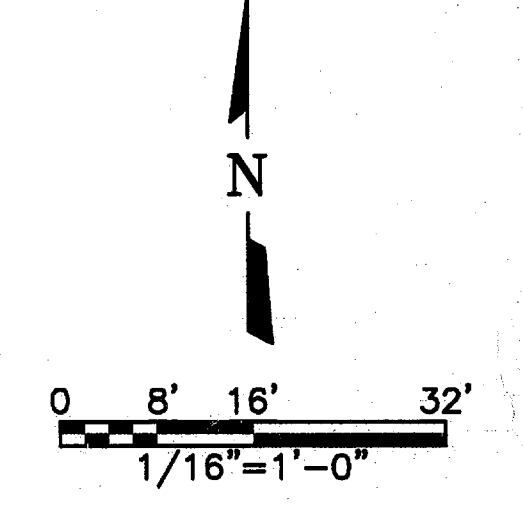
02 WATER HEATER DETAIL
SCALE: NONE



03 PLUMBING RISER DIAGRAM
SCALE: NONE



01 FLOOR PLAN - PLUMBING
SCALE: 1/4" = 1'-0"



S. Toub & Associates Inc.
13841 Omega Road, Dallas, Texas 75244
972/398-9689

The seal on this document was authorized by Richard L. Morris, 0688 on the 10th day of [blank] 2011.

Richard L. Morris, P.E. / Electrical
13841 Omega Road, Dallas, Texas 75244
972/398-9689

FREESE & NICHOLS
2220 San Jacinto Blvd., Suite 330
Ft. Worth, Texas 76102
Phone: (817) 357-4500
Fax: (817) 357-4677

TOWN OF ADDISON, TEXAS
SURVEYOR 1.5 MG EST
M.E.P.
FLOOR PLAN - PLUMBING

NO.	ISSUE	DATE	BY	F&N JOB NO.	DATE	DESIGNED	DRAWN	CHECKED	FILE NAME
1		01/18/11		ADD08459		GCH	TRB		4049-P-1.dwg

Bar is one inch on original drawing, if not one inch on this sheet, adjust scale.

VERIFY SCALE

SHEET P-1