

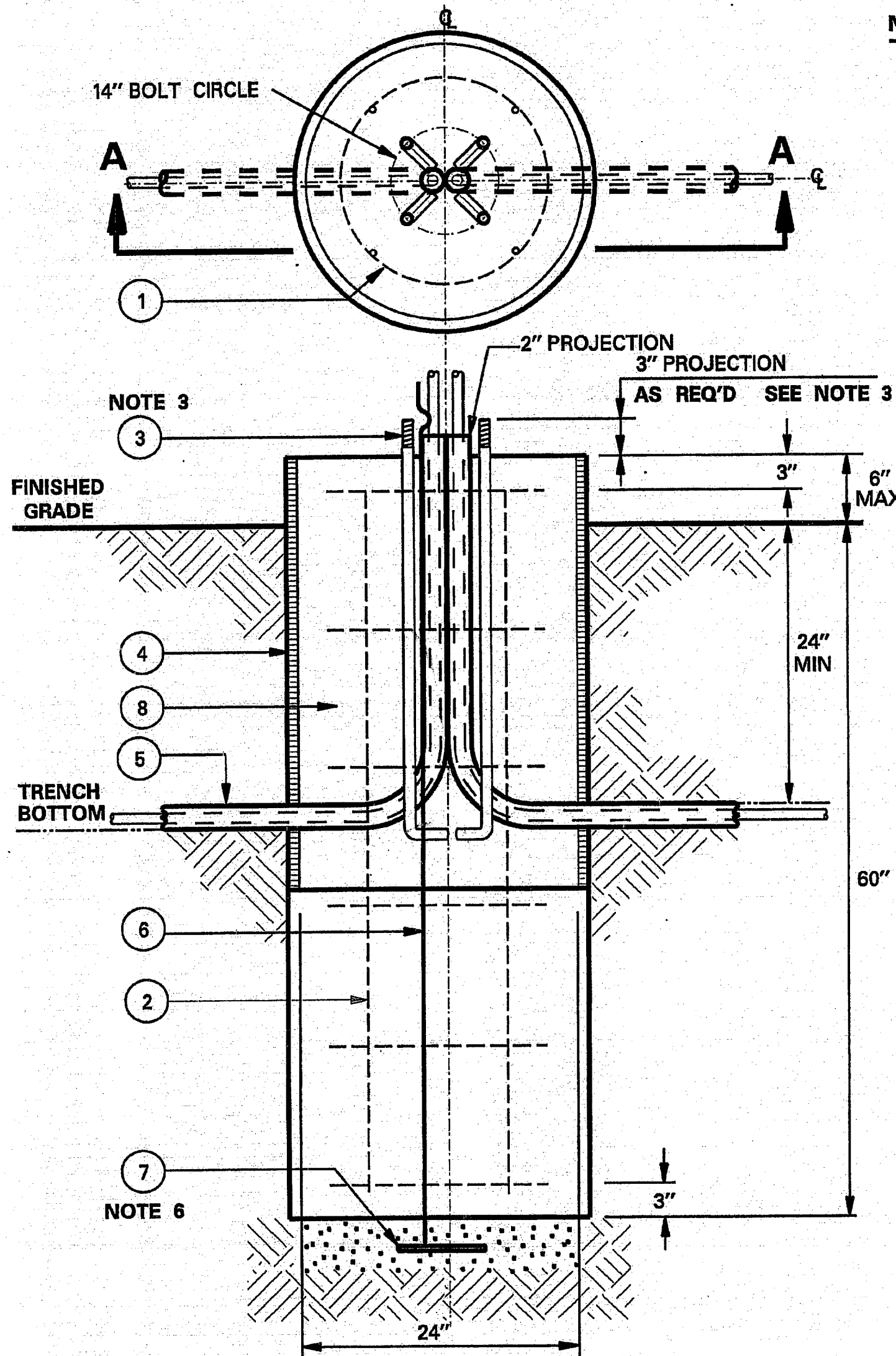
213 - 330

08 - 09

**STREET LIGHT FOUNDATION**  
**25', 30' & 40' SQUARE STEEL POLE**  
**40' M.H. ROUND STEEL POLE**

213 - 330

08 - 09



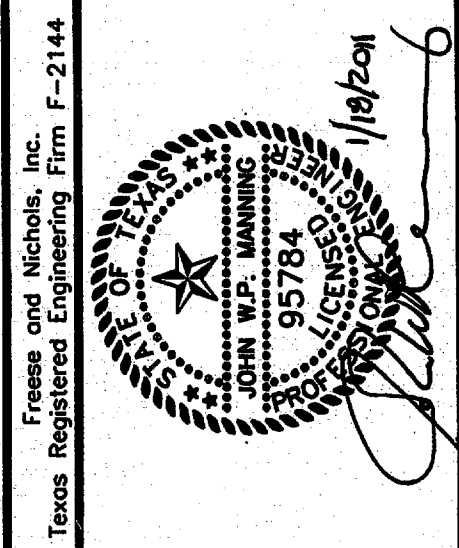
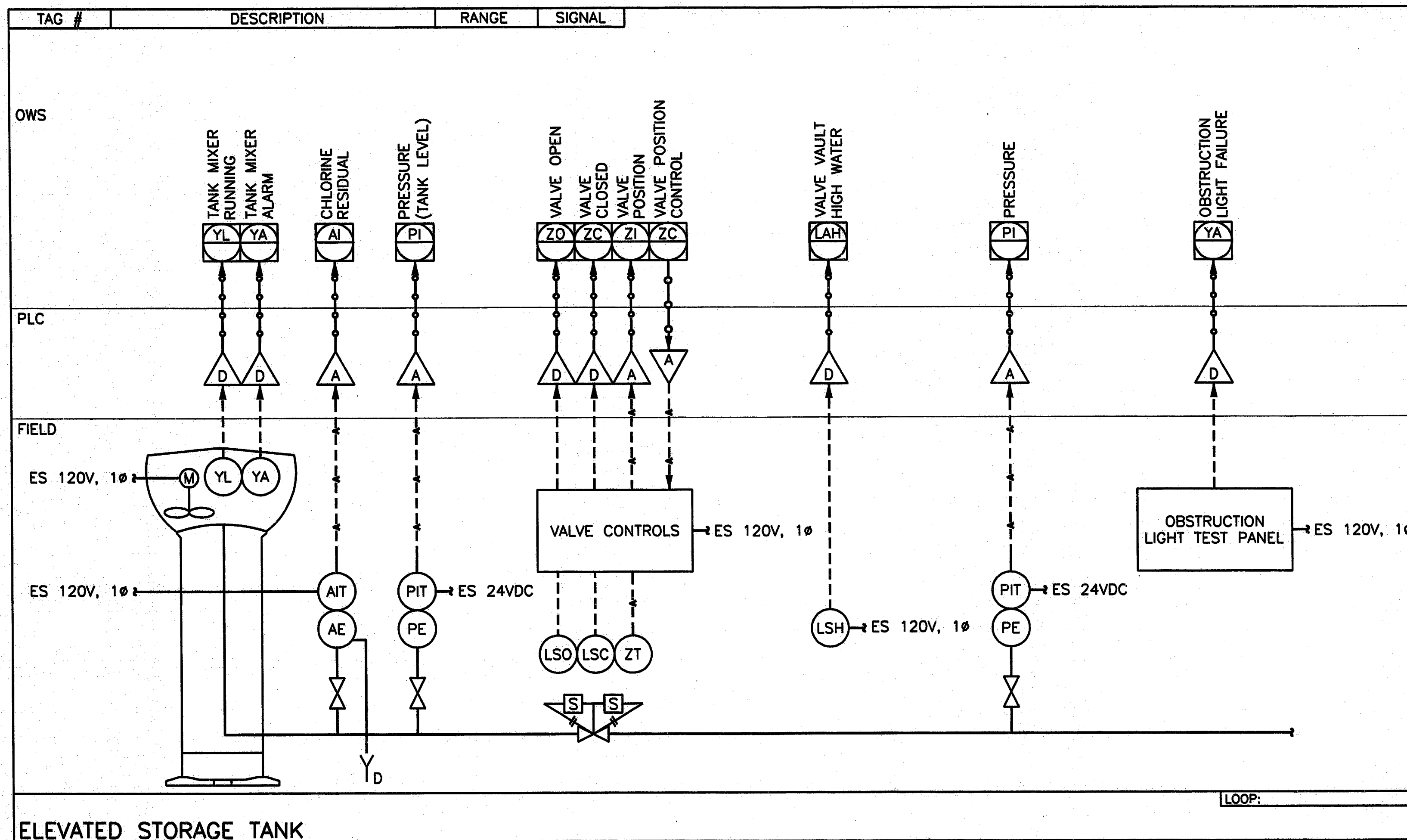
**NOTES:**

1. CONCRETE TO BE MINIMUM 3000 PSI AT 28 DAYS. (5 SACK) MAXIMUM AGGREGATE 3/4" TOP OF FOUNDATION TO BE TROWELED TO A FLAT AND LEVEL SURFACE. AVOID EXCESSIVE TROWELING. CONCRETE TO SET A MINIMUM OF 72 HOURS BEFORE POLE INSTALLATION.
2. REBAR HOOPS ARE TIED BEGINNING 3" BELOW TOP OF CONCRETE FORM AND ARE REPEATED AT APPROXIMATE 1' INTERVALS TO BOTTOM OF FOUNDATION.
3. 1" ANCHOR BOLTS TO BE USED WITH 25' & 30' POLE. 1 1/4" ANCHOR BOLTS TO BE USED WITH 40' POLE. USE TEMPLATE FURNISHED BY POLE MANUFACTURER FOR ALIGNING ANCHOR BOLTS. PROJECTION OF 3" ON 25' & 30' SQUARE AND 3 1/2" ON 40' SQUARE AND ROUND POLES.
4. CONCRETE FORM OF SONOTUBE TO EXTEND TO BOTTOM OF TRENCH OR AS NEEDED.
5. PROVIDE MINIMUM 24" GROUND WIRE PIGTAIL OUT OF CONCRETE FOR CONNECTION TO POLE.
6. A MINIMUM OF 12" OF BARE #6 SD CU WIRE TO BE PLACED IN BOTTOM OF HOLE AND COVERED WITH 2" OF DIRT
7. IF SOIL HAS BEEN DISTURBED, EXTEND FOUNDATION BY DEPTH OF DISTURBED SOIL.
8. FOR POLE FOUNDATIONS LARGER THAN 40' NOMINAL MOUNTING HEIGHT, CONTACT DISTRIBUTION STANDARDS.

**SECTION "A - A"**

ITEM	QTY	DESCRIPTION	TSN/REF	CU	MU
1	6	#3 REBAR, 18" DIAMETER HOOP, 3" OVERLAP	314470		
2	4	#5 REBAR, STRAIGHT, 60" LONG	317821		
3	4	ANCHOR BOLT, GALV. 1" FOR 25 & 30' POLES	SEE NOTE 3	SLF25/30	
3	4	ANCHOR BOLT, 1 1/4" GALV FOR 40' POLES	SEE NOTE 3	SLF40	
4	AS REQ'D	CONCRETE FOUNDATION TUBE, 24" DIAMETER	313841		
5	AS REQ'D	CONDUIT, PVC OR PEC (NOT IN FOUNDATION AUN)			
6	.5 LB	WIRE, #6 COPPER, SOLID	303244		
7	1	GROUND, POLE BUTT WIRE COIL			
8	AS REQ'D	CONCRETE			
1		FND, PRECAST 25' & 30' SQR. POLE, 14" BC, 1" BOLTS	398698	SLFPSQ25/30	
1		FND, PRECAST 40' SQR, 40' RND POLE, 14" BC, 1.25" BOLTS	398700	SLFP40	

APPROVED BY



**FREESSE & NICHOLS**  
 2200 San Jacinto Blvd., Suite 330  
 Denton, Texas 76205-7589  
 Phone - (940) 387-4600  
 Fax - (940) 387-4677

TOWN OF ADDISON, TEXAS  
**SURVEYOR 1.5 MG EST**  
 ELECTRICAL  
**DETAIL & LOOP DIAGRAM**

NO.	ISSUE	DATE	BY	DESCRIPTION

E&N JOB NO.	ADD08459
DATE	01/18/11
DESIGNED	JMM
DRAWN	JAF
CHECKED	JMM
FILE NAME	EL-ADD-DT-MISC05.dwg

Bar is one inch on original drawing. Scale is one inch on this sheet.

VERIFY SCALE

SHEET **E-11**

SEQ.

User: ppm  
 ACAD File: 18.0s (LMS Tech)  
 [ADD08459] [DTNSRV2] N:\elec\EL-ADD-DT-MISC05.dwg  
 LAYOUT: EL-ADD-DT-MISC05.dwg  
 Jan 18, 2011 5:38pm  
 PLOTS: 1  
 TWT: CLALLFREESC.COM  
 REFERENCES: N:\elec\Boss\MM-STAMP.dwg, N:\Standard\348ORDER.DWG, 95784.dwg