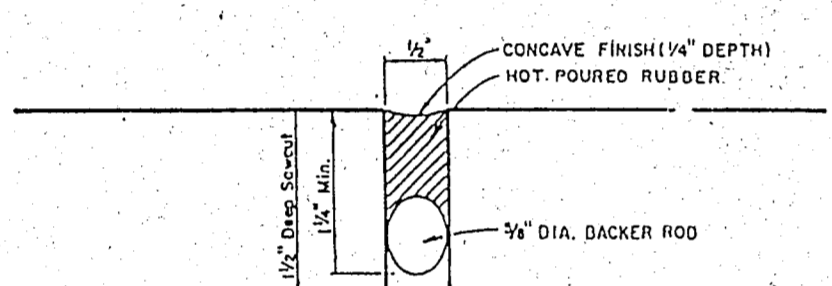
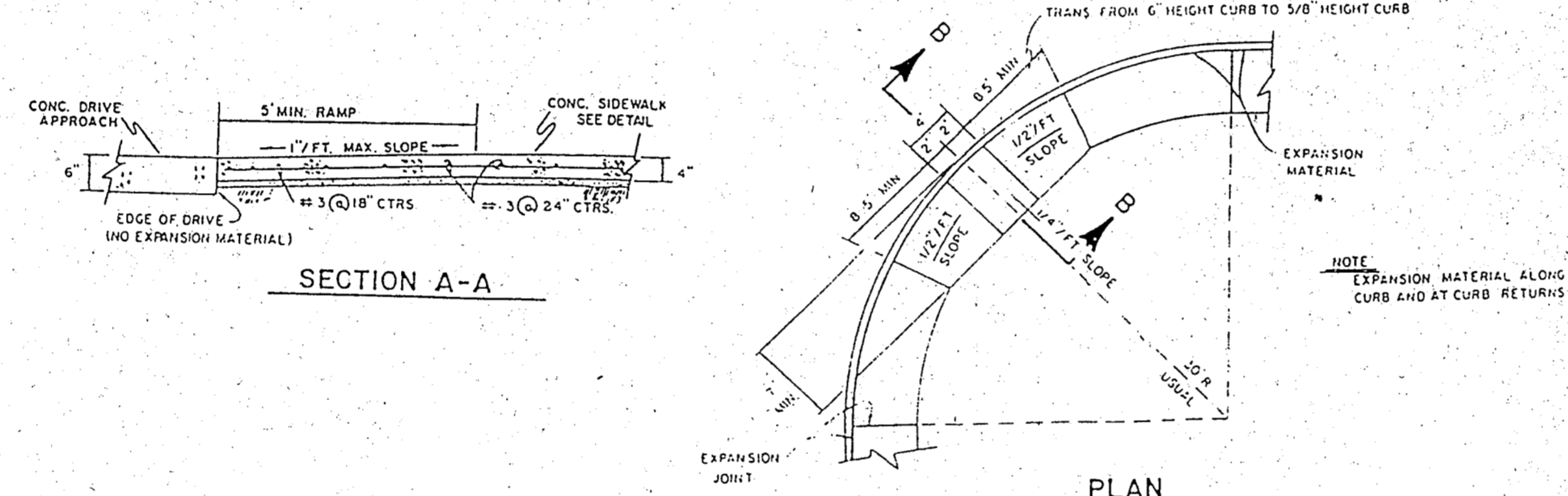
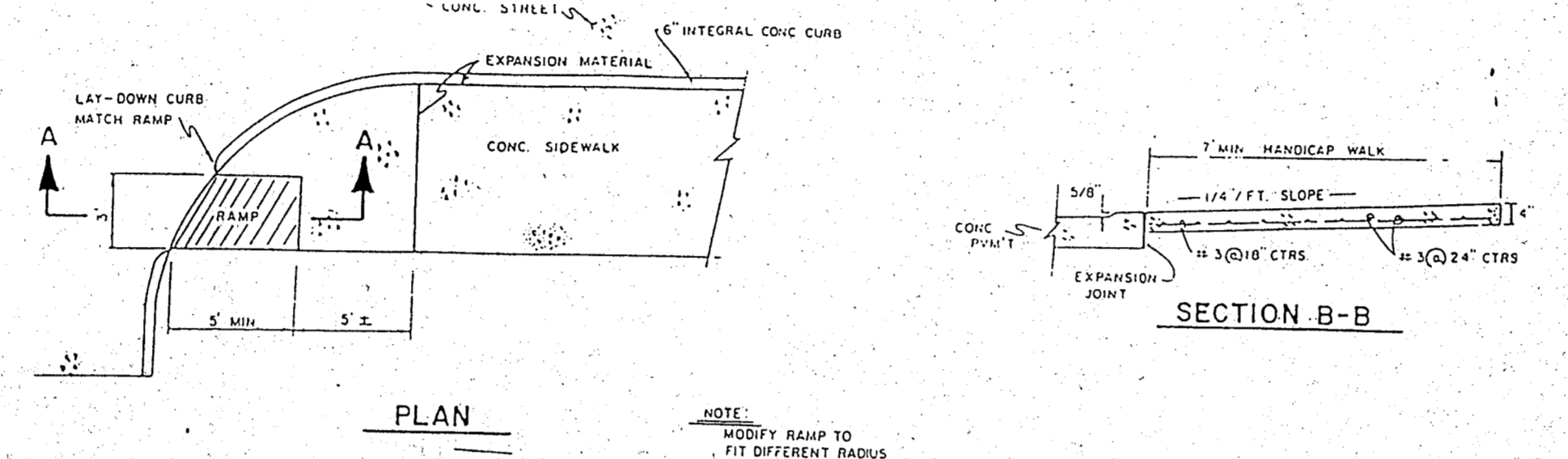


CURB ISLAND DETAIL
N.T.S.

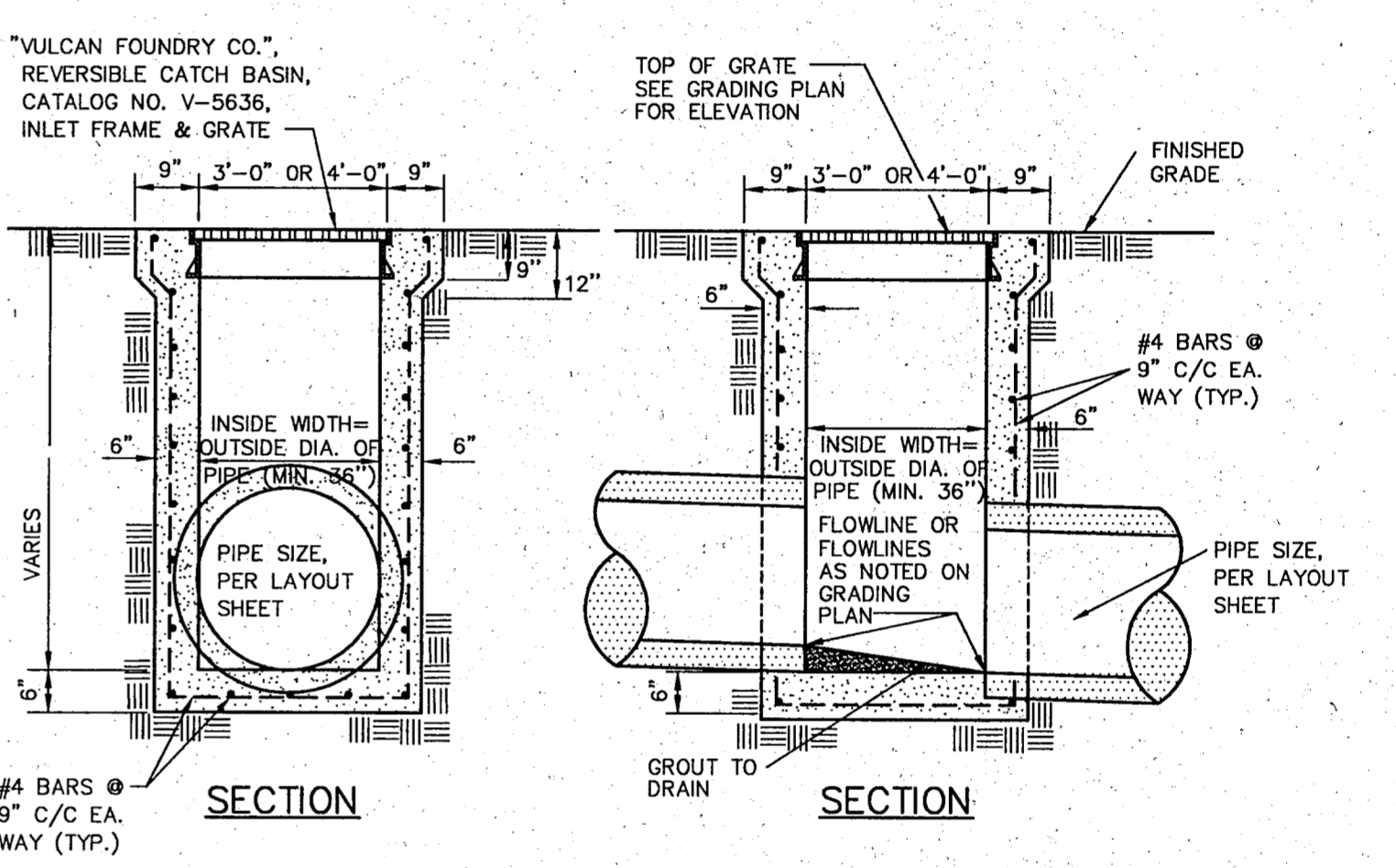
REINFORCED CONCRETE PAVEMENT
ALL REINFORCING BARS SHALL BE NO. 3 TRANSVERSE BARS TO BE SPACED ON 1'-6" CENTERS; LONGITUDINAL BARS TO BE SPACED ON 1'-6" EXCEPT WHERE NOTED.
UNIMPROVED STREETS—PROVIDE 4" OBL.-REE YELLOW 6 BUTTON P-117-Y PATTERNS TO BE ESTABLISHED BY ENGINEER. SEE DETAIL SHEET.
① SAWED LONGITUDINAL CURB JOINT.
② CONSTRUCTION JOINT (FULL WIDTH PAV'T) IS ALLOWED WHERE APPROVED BY ENGINEER.
③ FINISH SHALL BE TRANSVERSE WITH TRAFFIC LANES AND SHALL BE STEEL TINED BROOM FINISH.



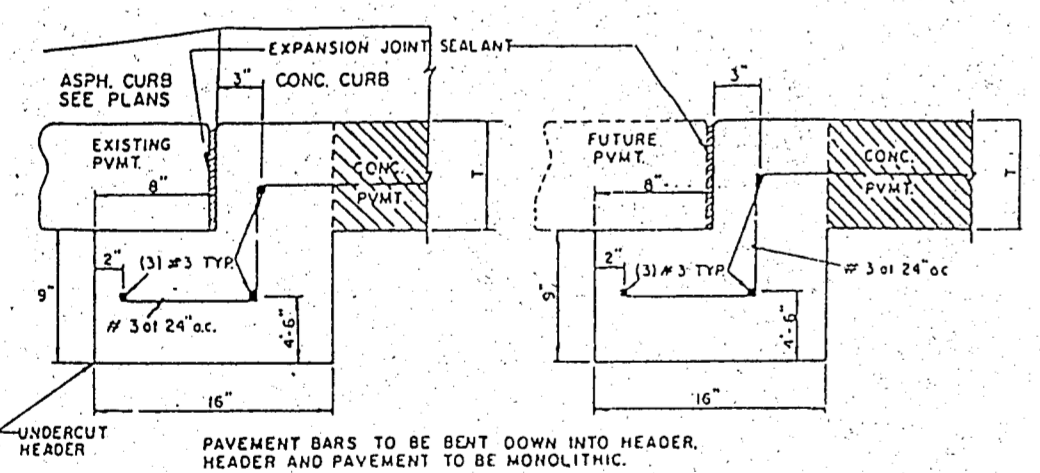
TYPICAL JOINT DETAIL



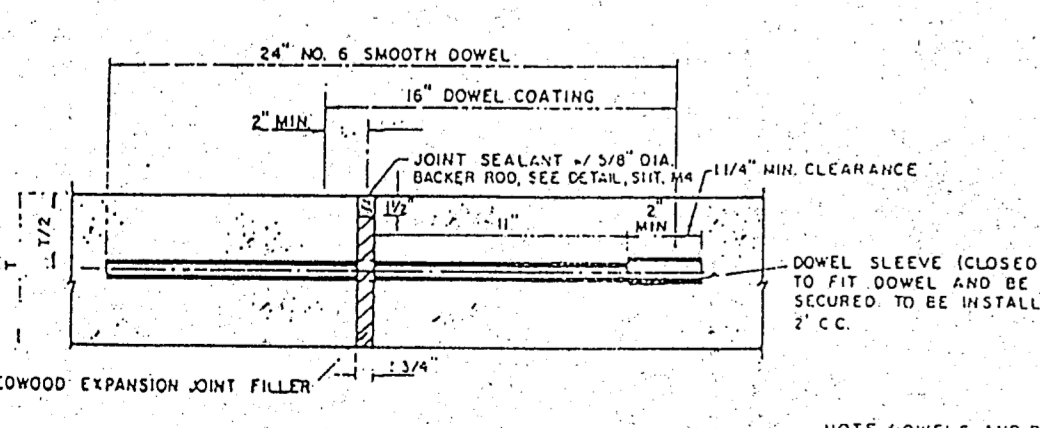
HANDICAP PARKING DETAILS
N.T.S.



3'x3' OR 4'x4' INSIDE GRATE INLET DETAIL
N.T.S.



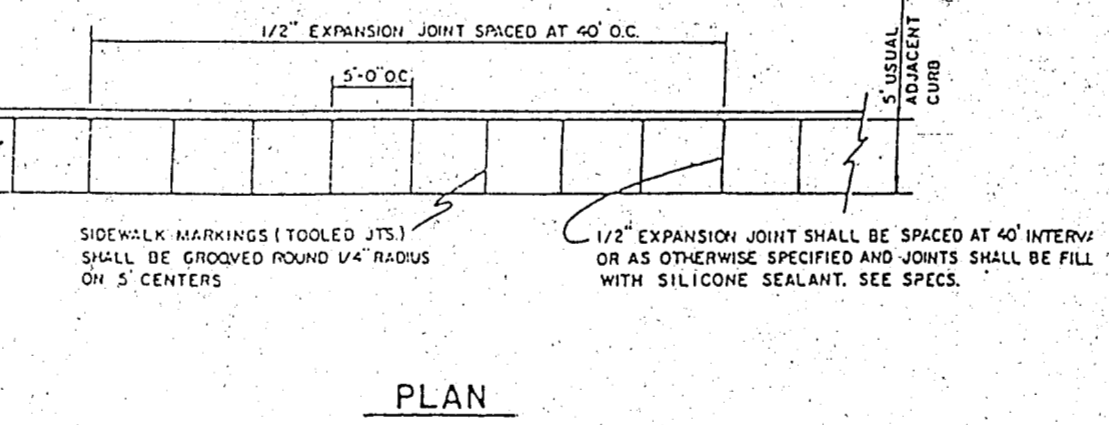
STREET HEADER



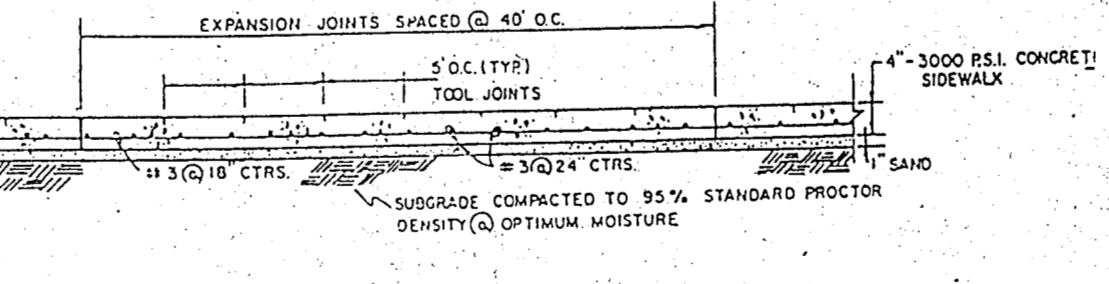
TRANSVERSE EXPANSION JOINT
(SPACED 600 FT MAXIMUM; LOCATE AT INTERSECTIONS)

CONCRETE SIDEWALK DETAIL

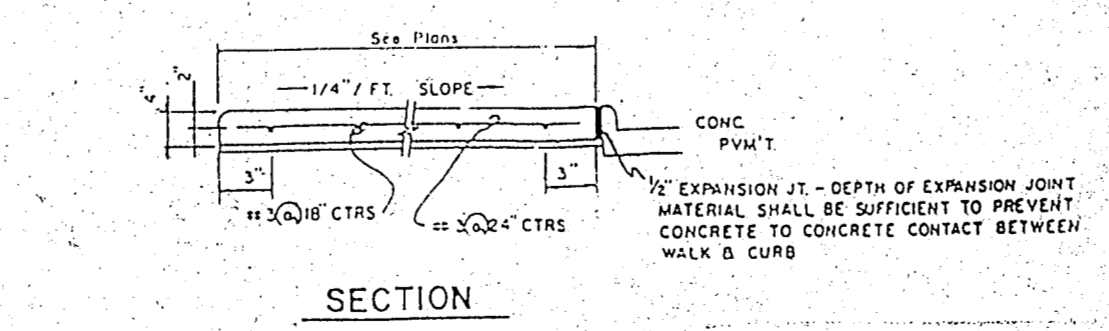
- GENERAL NOTES**
- Reinforced concrete sidewalk shall be 5 or 7 feet wide, a minimum of four (4) inches thick and shall be 3000 psi at 28 days (5 sack mix). Unless noted otherwise.
 - Chamfer all exposed edges of concrete (1/4) inch.
 - All bar dimensions are given as center to center of bars and are located as shown.
 - All reinforcing steel shall be No. 3 on 18 inch centers longitudinally, 24 inch centers transversely and shall conform to the requirements of ASTM A-615, Grade 60.
 - 1/2 inch thick min. fine, washed sand cushion shall be free from organic materials or clays and shall be used for grade adjustments.
 - Subgrade shall be compacted to a density not less than 95% at optimum moisture.
 - Tooled joints (contraction joints) shall be on five (5) foot centers and shall be round one-fourth (1/4) inch radius.
 - A one-half (1/2) inch expansion joint shall be laced every eight (8) foot centers, and where works abut old work, or where new work is constructed adjacent to other concrete, a one-half inch expansion joint shall be used where sidewalk is adjacent to curb, the expansion joint shall be made of pre-molded bituminous expansion joint filler or redwood with silicone sealant. See Specs.
 - Sidewalks shall be finished by lightly brooming surface transversely to direction of main traffic or where adjacent sidewalks differ from this standard, new sidewalks shall conform to adjacent sidewalk (e.g. exposed aggregate).
 - Cross slope walk one-fourth (1/4) inch per foot towards curb or as shown on the drawings to provide drainage.



PLAN

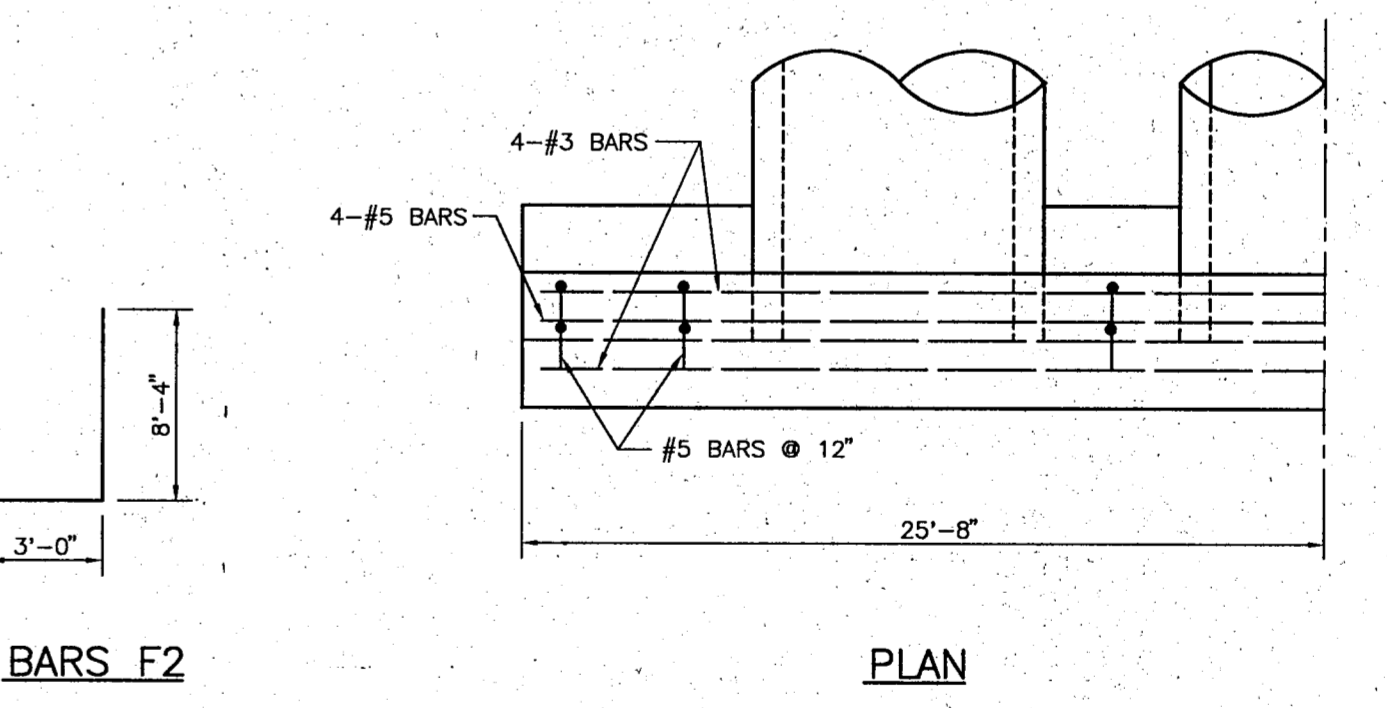


SIDE ELEVATION

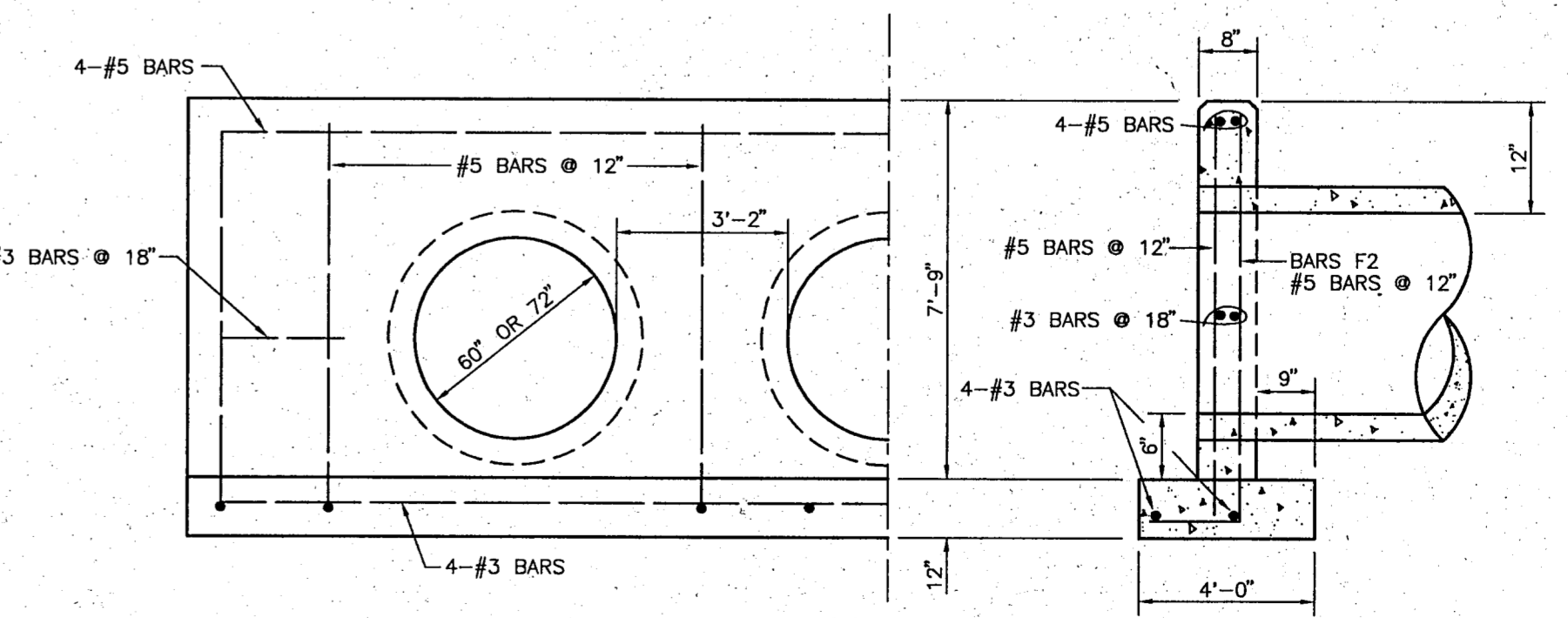


SECTION

EXPANSION JOINT DETAIL



BARS F2



ELEVATION

SECTION

TEXAS HIGHWAY DEPT. - TYPE 'A' HEADWALL
N.T.S.