

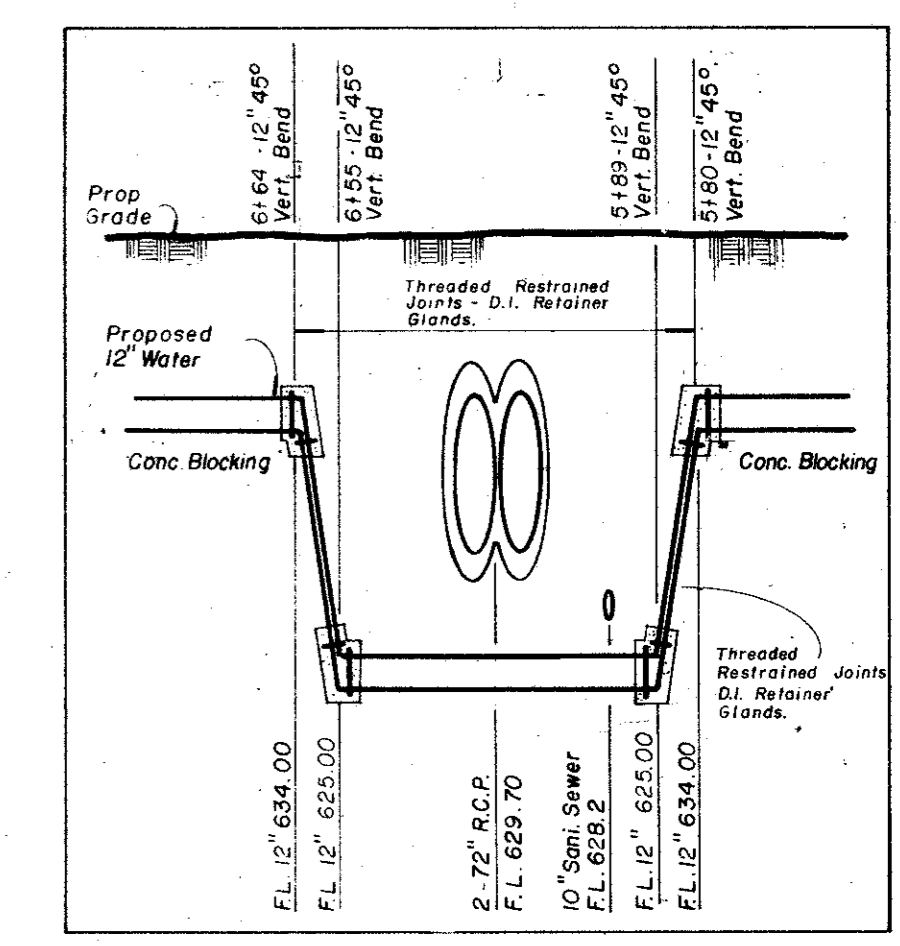
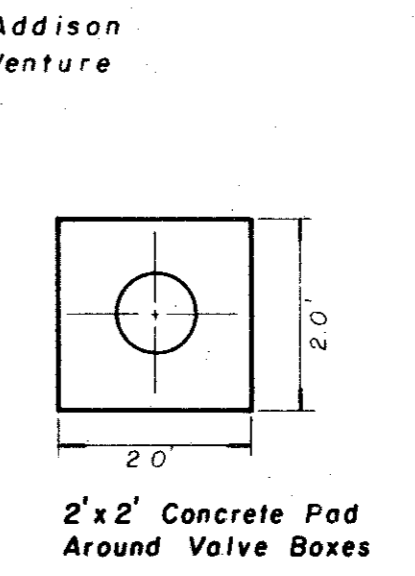
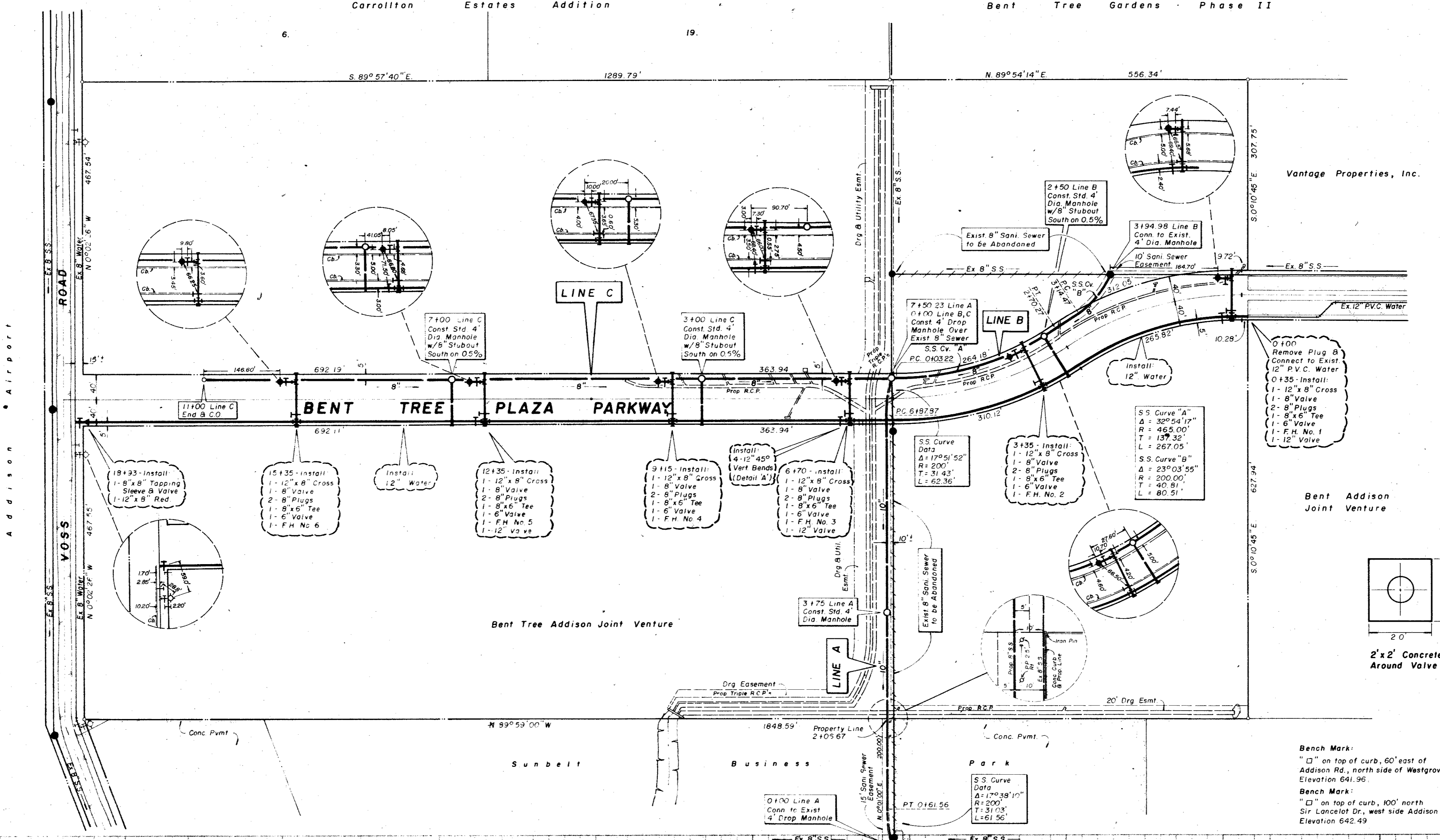
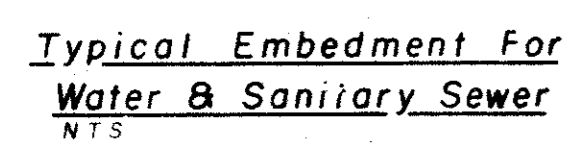
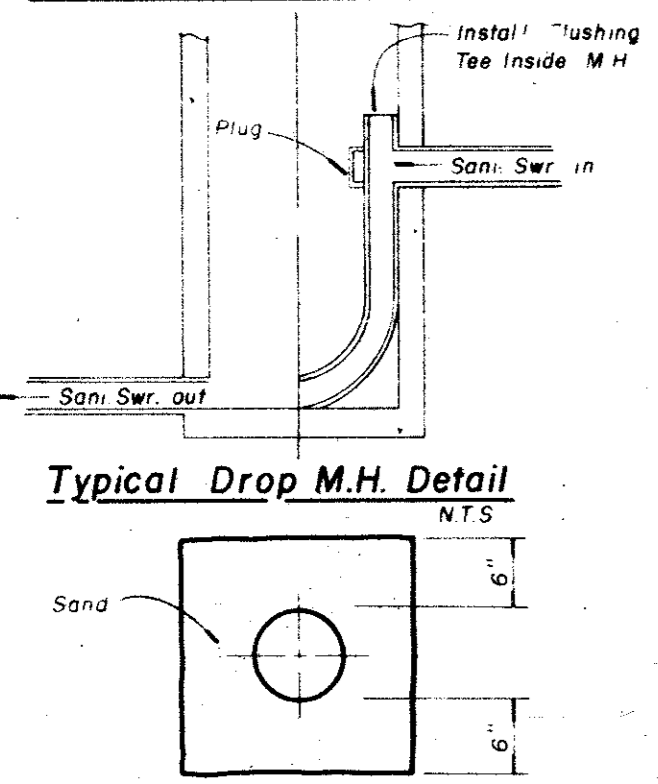
GENERAL SPECIFICATIONS

- All water mains shall be P.V.C. S.D.R.-18 in accordance with A.W.A.A. Specification C-900-75 with cast iron outside dimension and rubber ring joints. Fitting shall be mechanical joint or rubber ring slip joint cast iron fittings.
- All water mains to have a minimum of 48" of cover or as required to clear other utilities.
- Fire hydrants shall be Mueller Centurion and be placed 2.5' behind back of curb.
- All valves to be Mueller or approved equal.
- A No. 12 coated copper wire or metallic tracer tape equivalent shall be placed in the trench over all water lines.
- Sanitary Sewer mains shall be P.V.C. S.D.R.-35 sewer pipe.
- Manholes to be poured in place with steps. Manholes to have pick bar covers.
- Unless otherwise noted all materials and construction shall conform to the standards and specifications of the City of Addison, Texas.
- In the event an item is not covered in the City of Addison's Specifications, the City Engineer's decision shall apply.
- Contractor shall verify location and elevations of existing utilities and notify the engineer of any discrepancies.

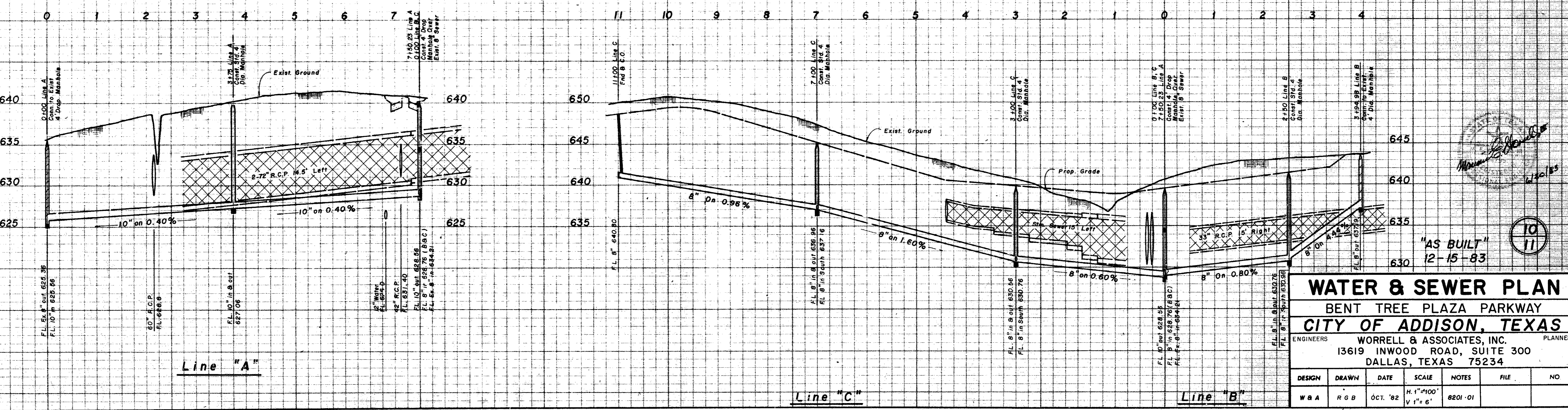
The contractor is responsible to preserve the final alignment and grade stakes as set by the engineer until the completed pavement is accepted by the City. In the event stakes are lost, the engineer accepts no responsibility for pavement alignment or grade.

**Fire Hydrant Elevations**

No	Elev. at Bottom of Flange
1	644.25
2	642.30
3	640.00
4	640.30
5	644.55
6	649.65



**Detail "A"**  
 L=40' Horiz  
 V=6' Vert  
 As-Built Information was provided by Utility Contractor, Worrell & Associates, Inc. assumes no responsibility for placement of utilities.



**"AS BUILT" 12-15-83**

**WATER & SEWER PLAN**  
**BENT TREE PLAZA PARKWAY**  
**CITY OF ADDISON, TEXAS**

ENGINEERS: **WORRELL & ASSOCIATES, INC.** PLANNERS  
 13619 INWOOD ROAD, SUITE 300  
 DALLAS, TEXAS 75234

DESIGN	DRAWN	DATE	SCALE	NOTES	FILE	NO
WBA	RGB	OCT. '82	H. 1"=100' V. 1"=6'	8201-01		