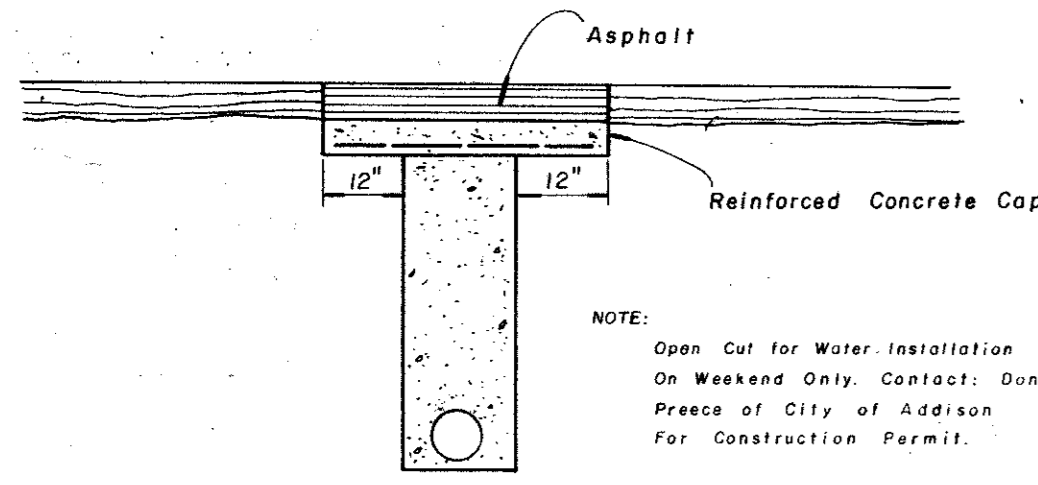
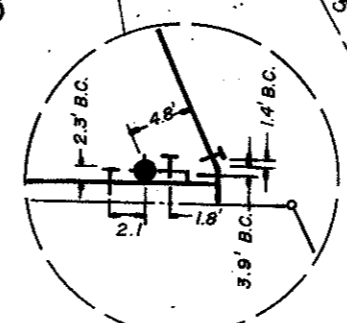
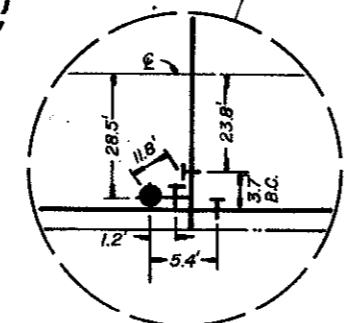


CAUTION!!!
Contact Lone Star Gas
Before Construction

0 100 - Install
Conn. to Exist. 16"
Install:
1-16" x 10" Tapping
Sleeve & Valve

2+10 - Install
1-10" x 8" Cross
1-10" Valve
1-8" Valve
1-8" x 6" Tee
1-8" Valve
1-F.H. No 8
2-8" Plugs

4+85 - Install:
1-10" x 10" Tee
2-10" Valves
1-10" x 6" Tee
1-8" Valve
1-F.H. No 8
2-10" Plugs
1-10" 22/2" Bend
1-6" 90° Bend



Detail For Open Cut
N.T.S.

NOTE:
Open Cut for Water Installation
On Weekend Only. Contact: Don
Preece of City of Addison
For Construction Permit.

NOTE:
The Contractor Shall Protect All Public Utilities in the
Construction Of This Project. All Manholes, Cleanouts
Valve Boxes, Fire Hydrants, etc., Must Be Adjusted To
Proper Line And Grade By The Contractor After
Placing Of Permanent Paving.

FIRE HYDRANT ELEVATIONS

No.	Elev. at Bottom of Flange
7.	639.60
8.	637.35

As - Built Information was provided by Utility Contractor.
Worrell & Associates, Inc. assumes no responsibility for
placement of utilities.

"AS BUILT" 12-15-83

WATER PLAN
BENT TREE PLAZA PARKWAY
CITY OF ADDISON, TEXAS

ENGINEERS: **WORRELL & ASSOCIATES, INC.** PLANNERS
13619 INWOOD ROAD, SUITE 300
DALLAS, TEXAS 75234

DESIGN	DRAWN	DATE	SCALE	NOTES	FILE	NO.
W & A	RD.K.	OCT. '82	1"=50'	8201-01		

BENCH MARK # 1
"□" on T.C. 60' east of Addison Road
north side of Westgrove
ELEVATION: 641.96

BENCH MARK # 2
"□" on T.C. 100' north of Sir Lancelot
Drive, west side of Addison Road
ELEVATION: 642.49

Worrell & Associates, Inc.
6/30/83

