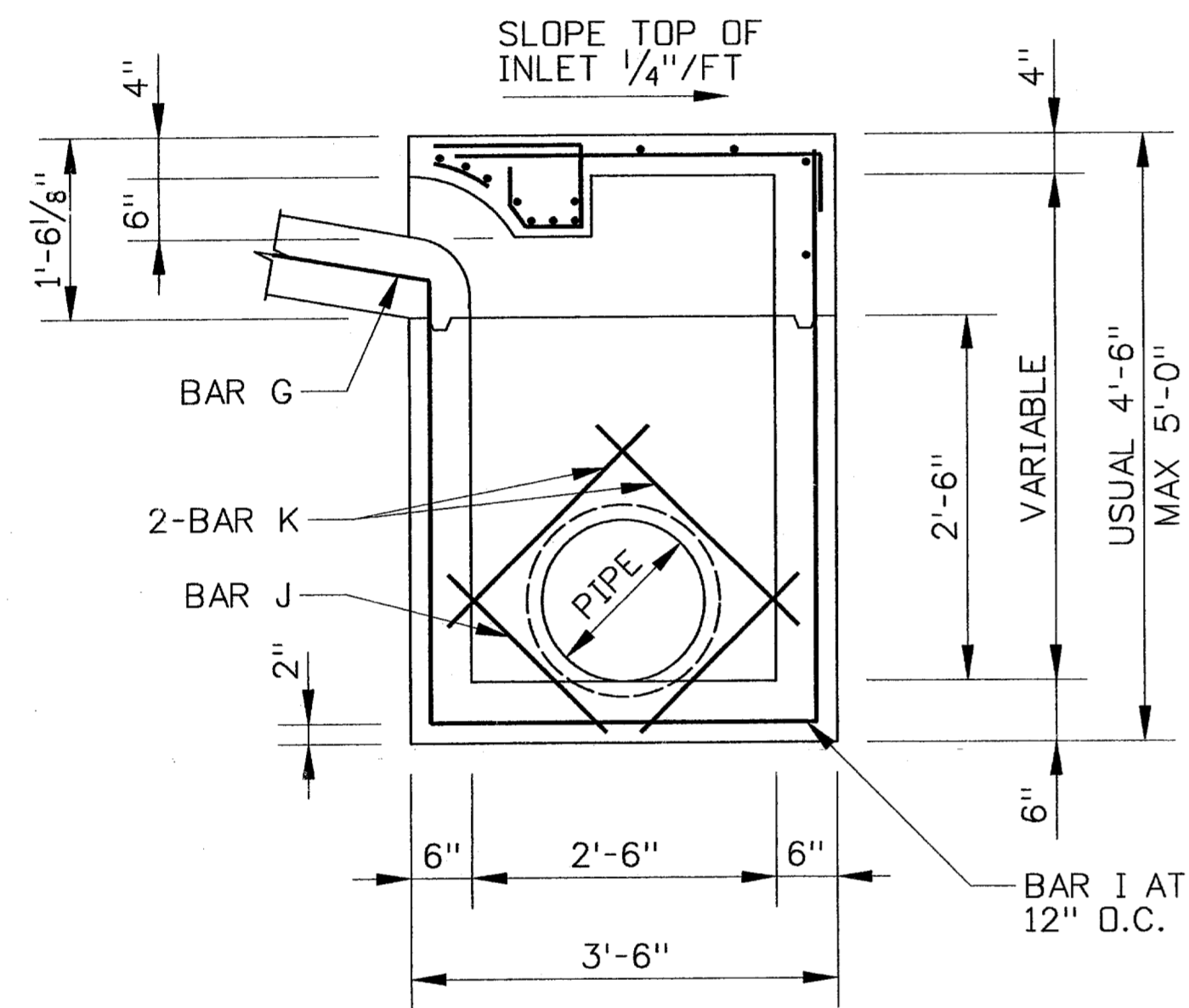
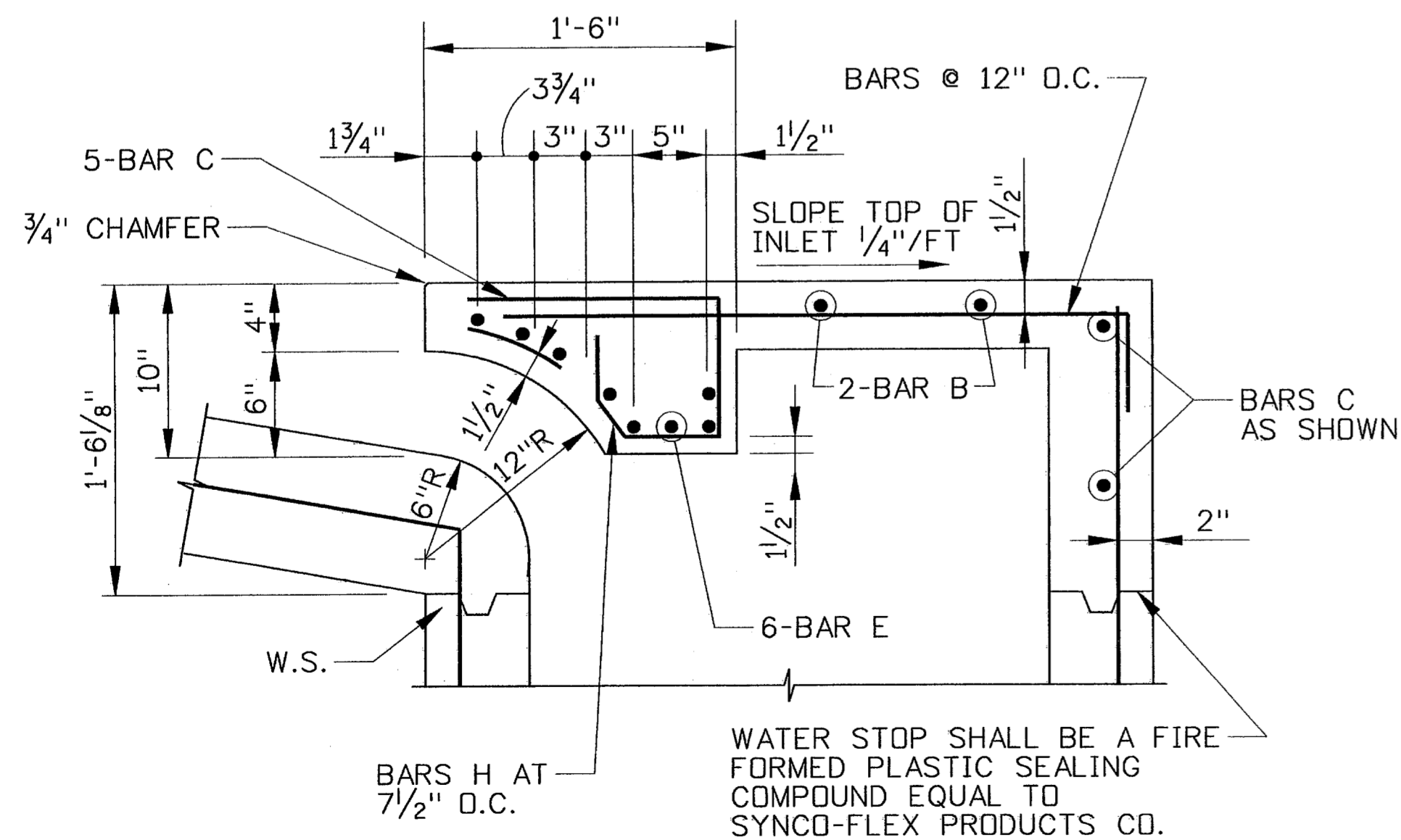


(A) SECTION A-A
SCALE: NTS

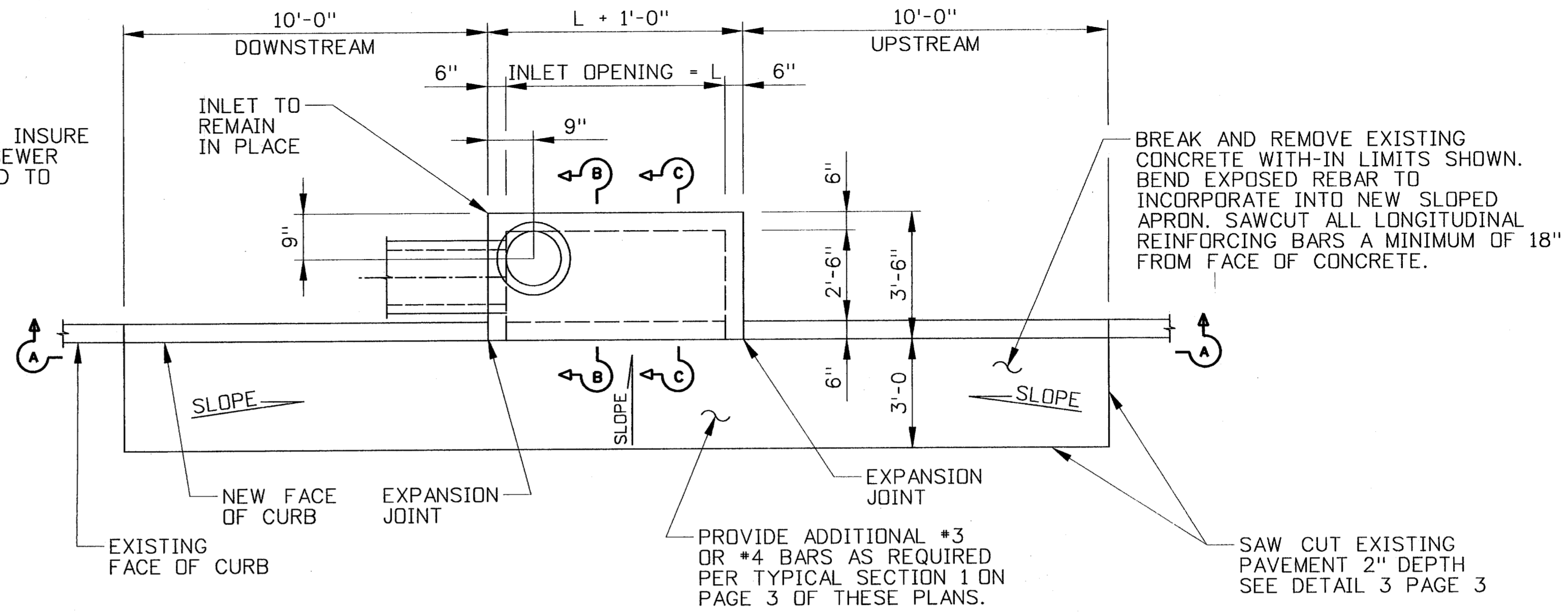


(B) SECTION B-B
SCALE: NTS



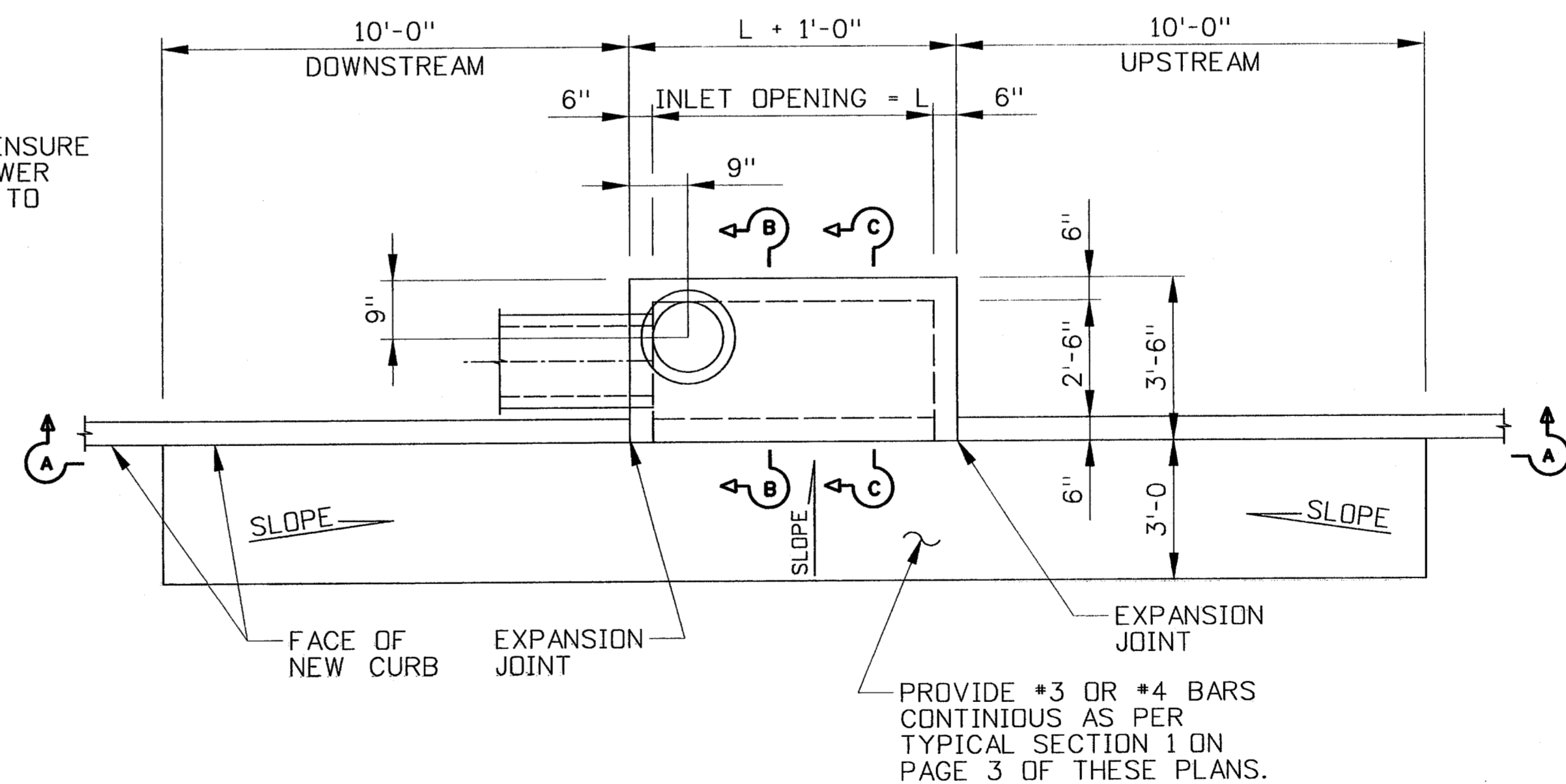
(C) SECTION C-C
SCALE: NTS

NOTE:
CONTRACTOR SHALL INSURE
THAT ALL STORM SEWER
PIPES ARE SECURED TO
EXISTING INLETS.



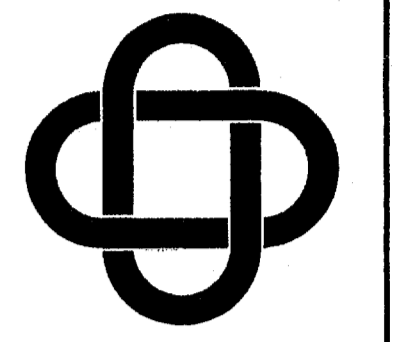
(1) PLAN - STANDARD APRON REPLACEMENT
SCALE: NTS

NOTE:
CONTRACTOR SHALL INSURE
THAT ALL STORM SEWER
PIPES ARE SECURED TO
EXISTING INLETS.



(2) PLAN - STANDARD APRON REPLACEMENT
SCALE: NTS

DATE	BY	REV



ERIC L. DAVIS ENGINEERING, INC.
425 Suite G Pinson Road
Forney, Texas 75126
972/564-0592 Fax 972/564-6523
E-Mail ericddavis@eldengineering.com

FESTIVALWAY ROAD
PROPOSED REGRADING
CITY OF ADDISON
DALLAS COUNTY, TEXAS

DEVELOPER	JOB NO.	CHECKED BY	DATE

