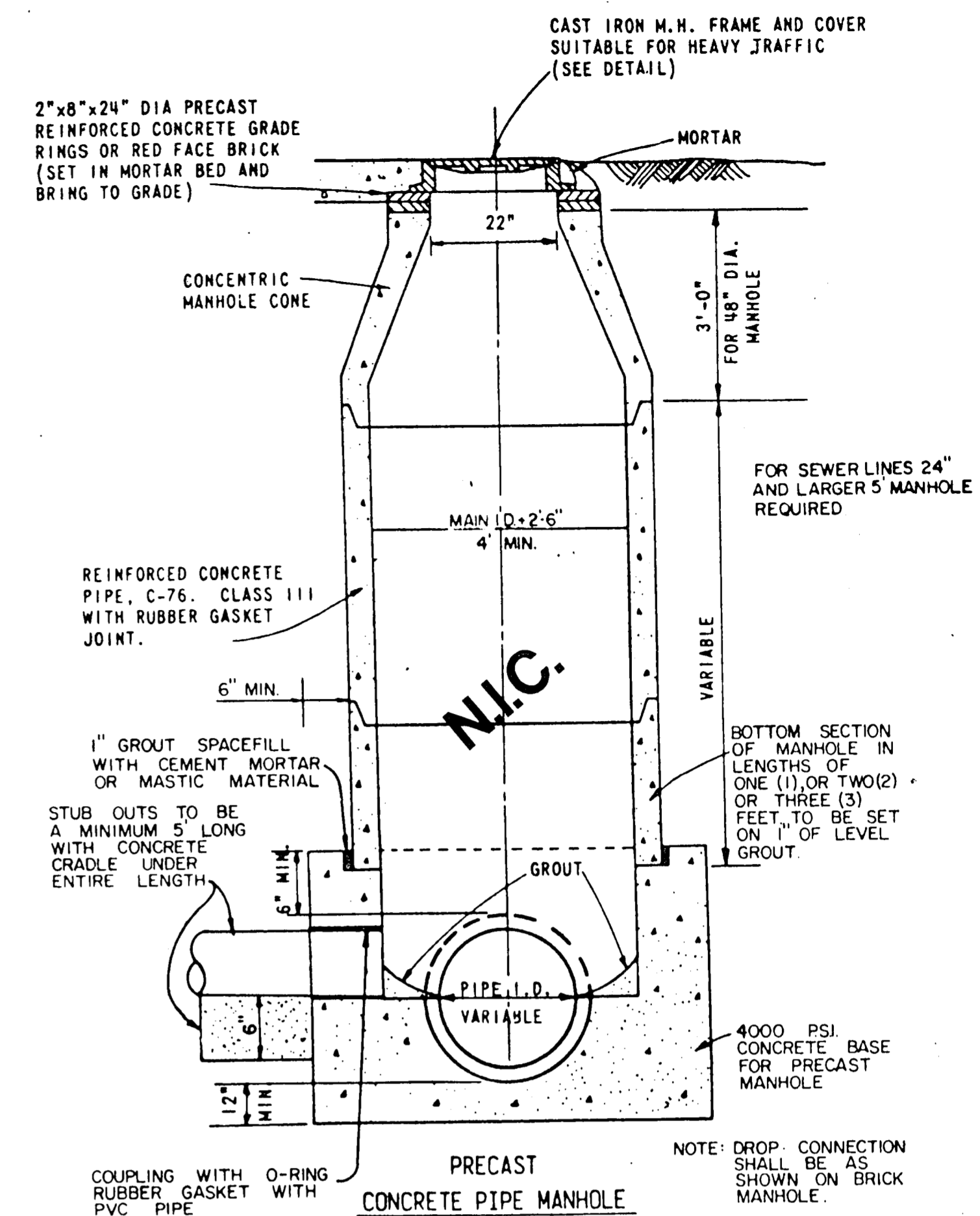
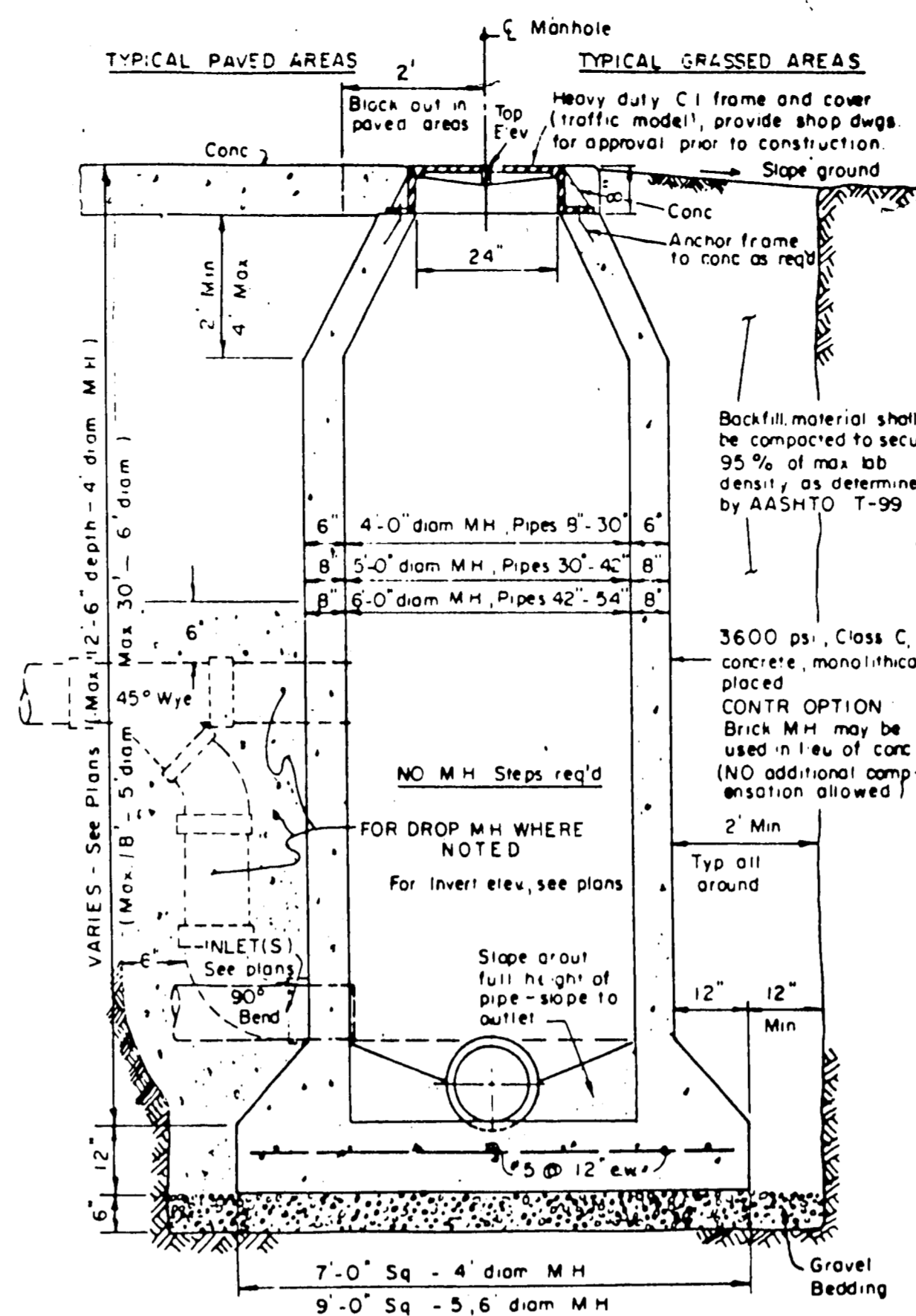
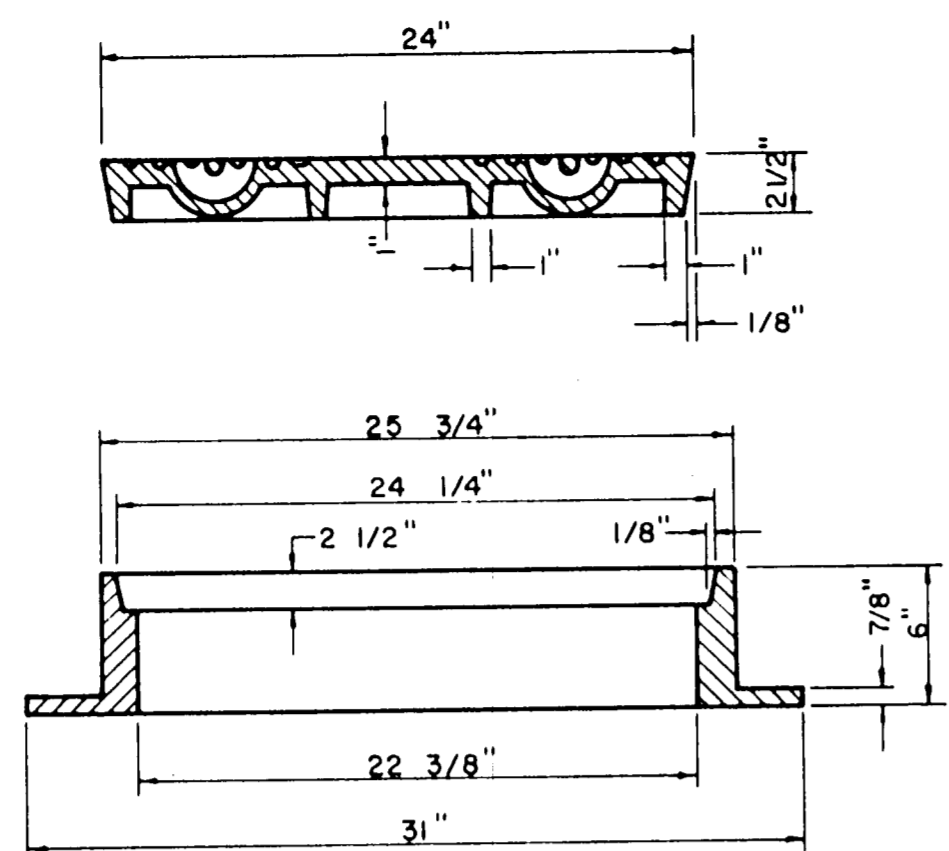
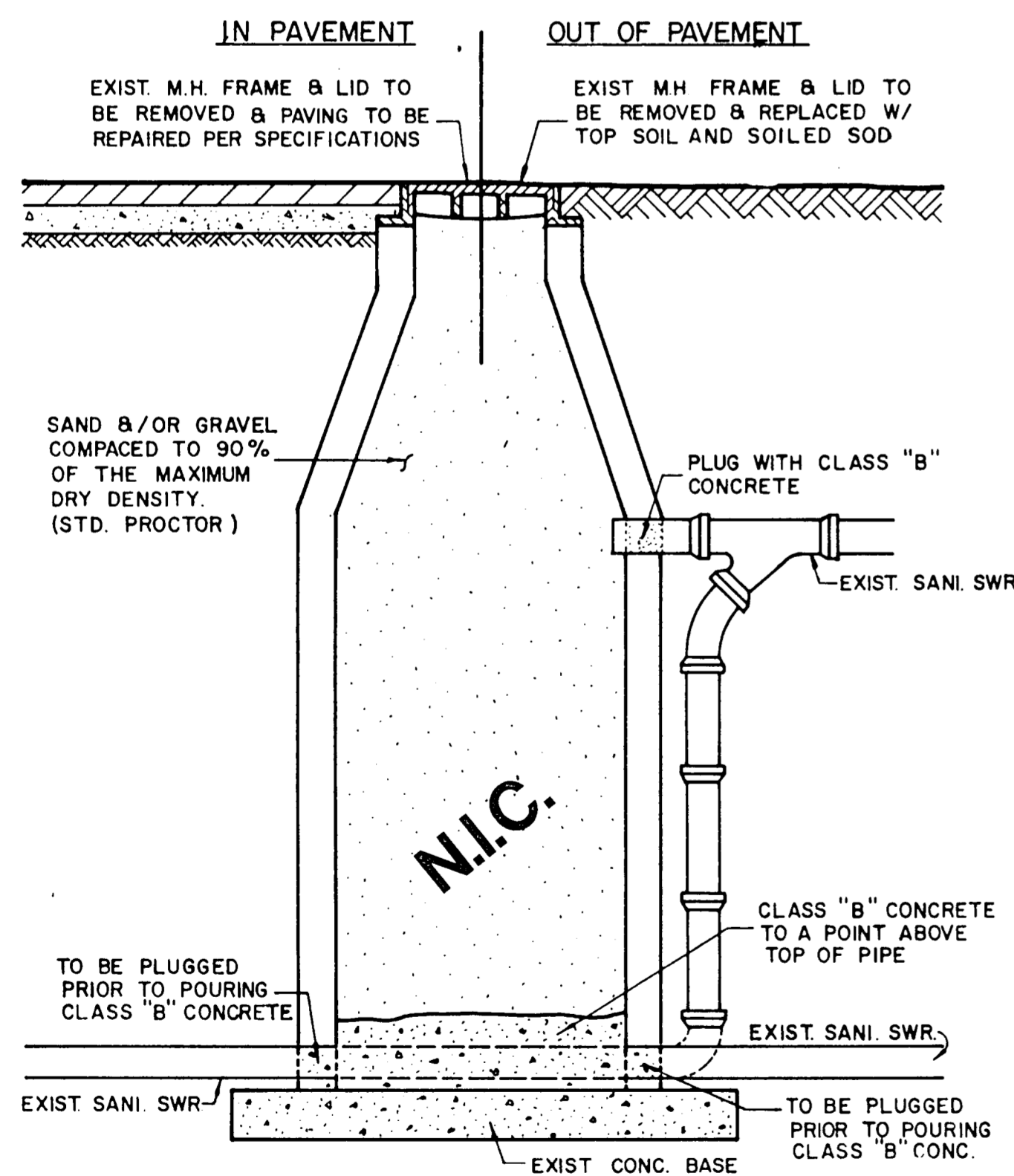


APPROX. WEIGHT RING AND COVER 385 LBS.

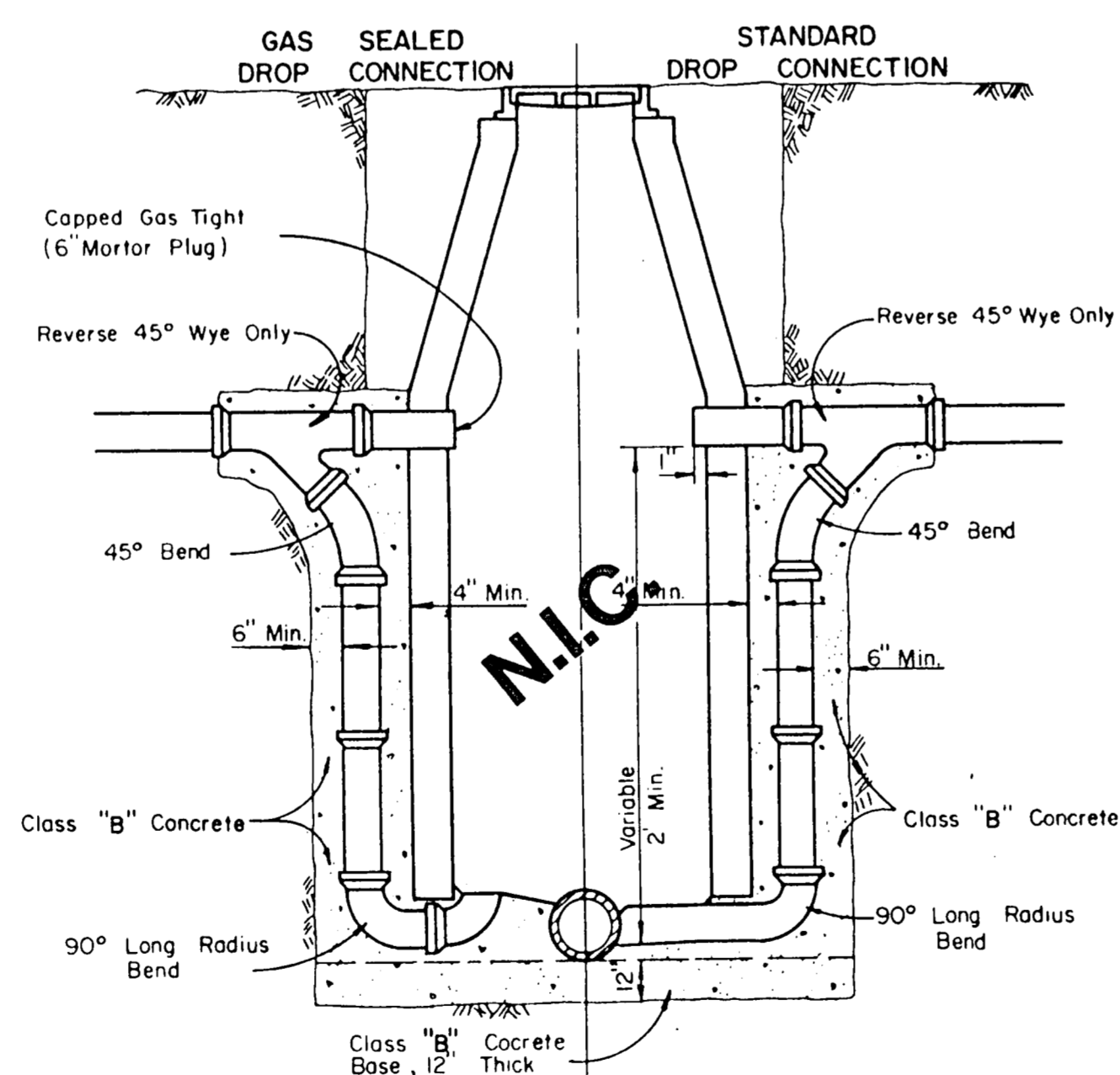
**CAST IRON GRATE AND FRAME DETAIL**



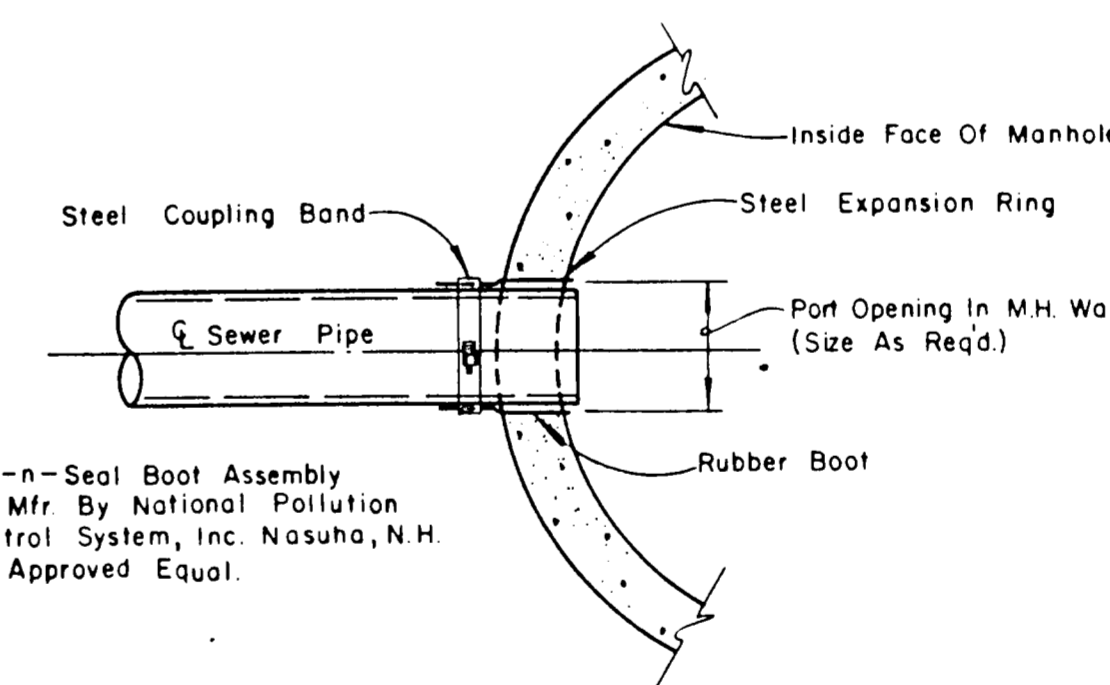
**PRECAST MANHOLE**



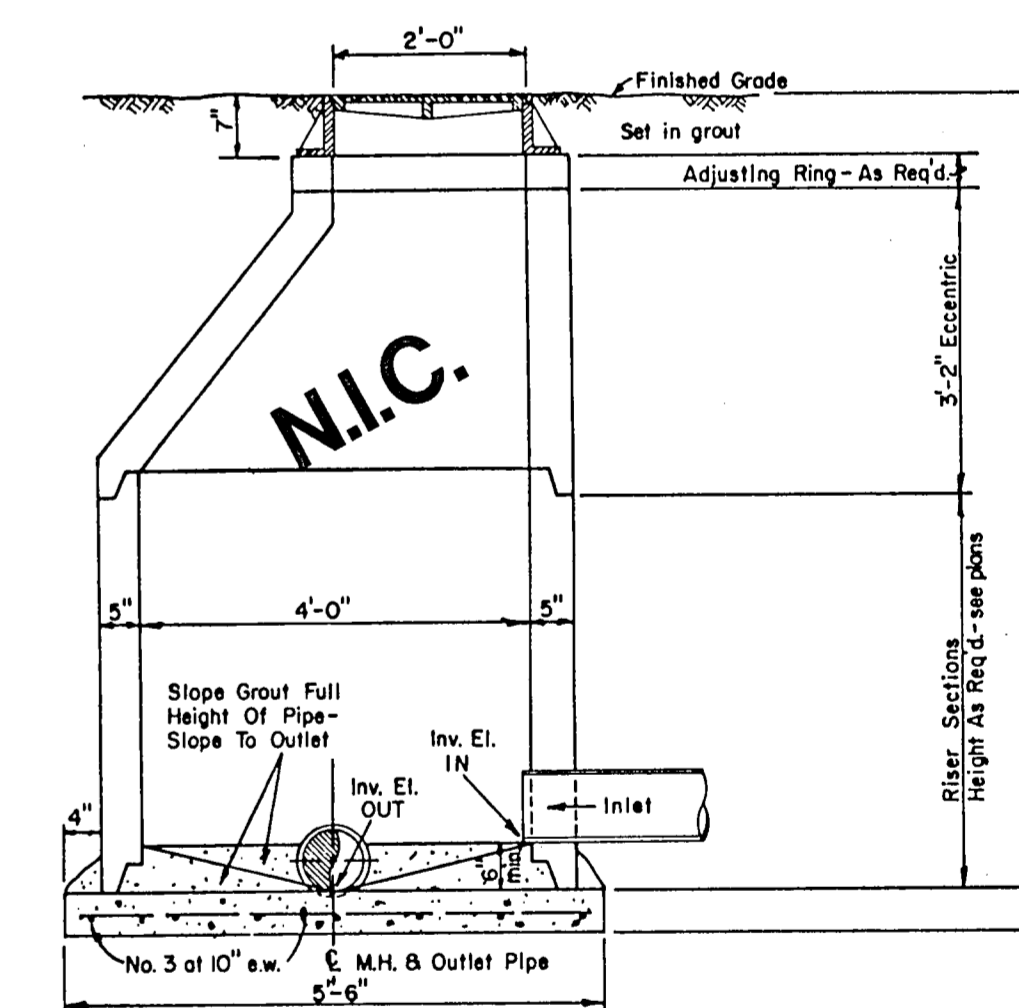
**ABANDONMENT OF EXISTING MANHOLE IN AND OUT OF PAVEMENT**



**DROP CONNECTIONS FOR SANITARY SEWER MANHOLES**



**TYPICAL SEWER CONNECTION AT MANHOLE**



**ECCENTRIC MANHOLE DETAIL**

NOTE: Contractor To Install Kor-n-Seal Boot Assembly Per Mfr Recommendations In A Neat And Workman-Like Manner

AS BUILTS

I CERTIFY THIS PROJECT WAS CONSTRUCTED IN GENERAL CONFORMANCE WITH THESE CONSTRUCTION PLANS AND WILL FUNCTION AS DESIGNED.

CLASS B Conc. - 2000psi at 28 days (Compressive)

TOWN OF ADDISON, TEXAS  
DEPARTMENT OF ENGINEERING  
**STANDARD CONSTRUCTION DETAILS  
SANITARY SEWER**  
**MANHOLES AND CONNECTIONS**

Designed -	Drawn -	Date - AUGUST, 1991	Job No. - 90025-6
Approved -	Checked -	Scale -	Sheet D-6 Of