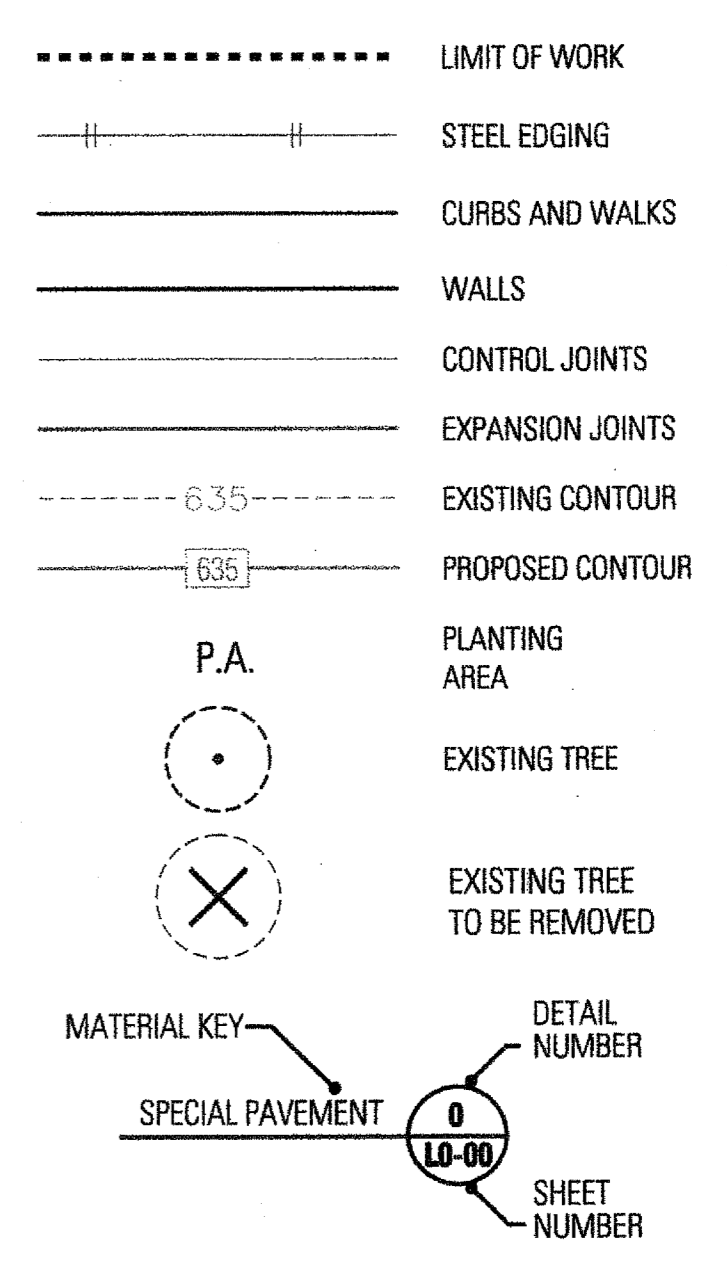


LEGEND

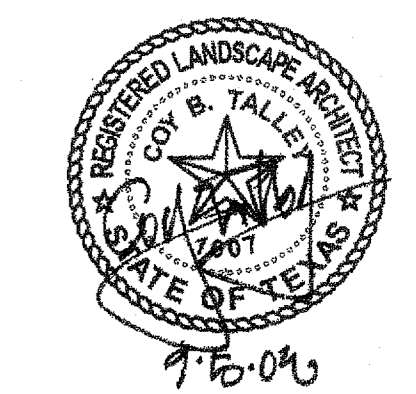


NOTES:

1. **WARNING! EXISTING UNDERGROUND UTILITIES MAY BE ENCOUNTERED THROUGHOUT THE ENTIRE PROJECT AREA. LOCATE ALL UTILITIES PRIOR TO CONSTRUCTION.**
2. Provide Town of Addison with project schedule.
3. Notify the Town of Addison of any discrepancies that arise during the construction period. Failure to make such discrepancies known to the Town of Addison will result in the contractor's liability to revise work as necessary to achieve the design intent.
4. Stake site lighting fixture locations for approval by the Town of Addison. Coordinate fixture and conduit locations among all disciplines including, but not limited to, existing and proposed mechanical, electrical, and plumbing utilities, drainage, planting, and irrigation.
5. All dimension lines shall be considered 90 degrees unless otherwise noted.
6. All concrete formwork shall be straight and free from bulges and/or changes in angle that are not shown on the drawings.
7. Layout of sidewalks shall be approved by Town of Addison prior to concrete pour.
8. Provide positive drainage throughout project area. No ponding or standing water is acceptable.
9. **All walks shall not exceed 5% longitudinal slope and 2% cross slope in compliance with Texas Accessibility Standards. All accessible parking spaces, aisles, and crosswalks shall not exceed 2% slope in any direction in compliance with Texas Accessibility Standards.**
10. **Accessible route shall be clear of protruding objects, including low tree limbs and signs, less than 80" in Accessibility Standards.**
11. Provide steeving to all planting areas re: irrigation plans.
12. All landscape areas shall be 100% irrigated, with an automatic underground irrigation system equipped with a rain sensor and a freeze guard set at 38° F.
13. See details and specifications for staking methods, plant pit dimensions and backfill requirements.
14. Stake all tree and shrub locations for approval by Town of Addison prior to beginning work.
15. Final location of plant material is subject for review and approval by Town of Addison.

FAIRFIELD PARK
Town of Addison, Texas

Talley Associates
Landscape Architecture
Planning
Urban Design
1525 San Jacinto, Suite 400
Dallas, Texas 75201
Tel. 214-871-7900
Fax. 214-871-7985

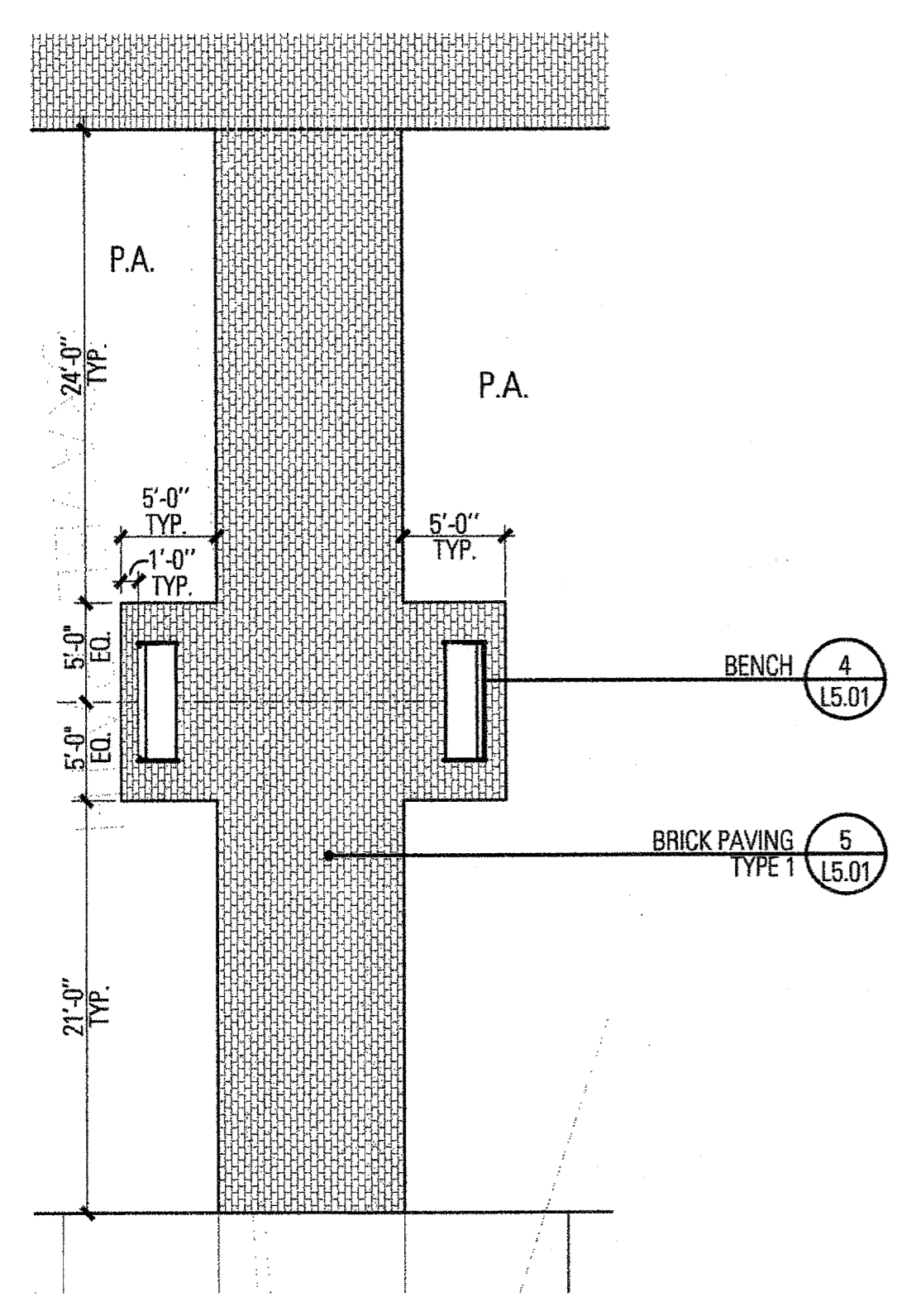


Project No.	5034
Drawn By:	JW
Checked By:	CT/KB
Date:	5 September 2008
Issued:	
Issued:	
Issued:	
Revisions:	

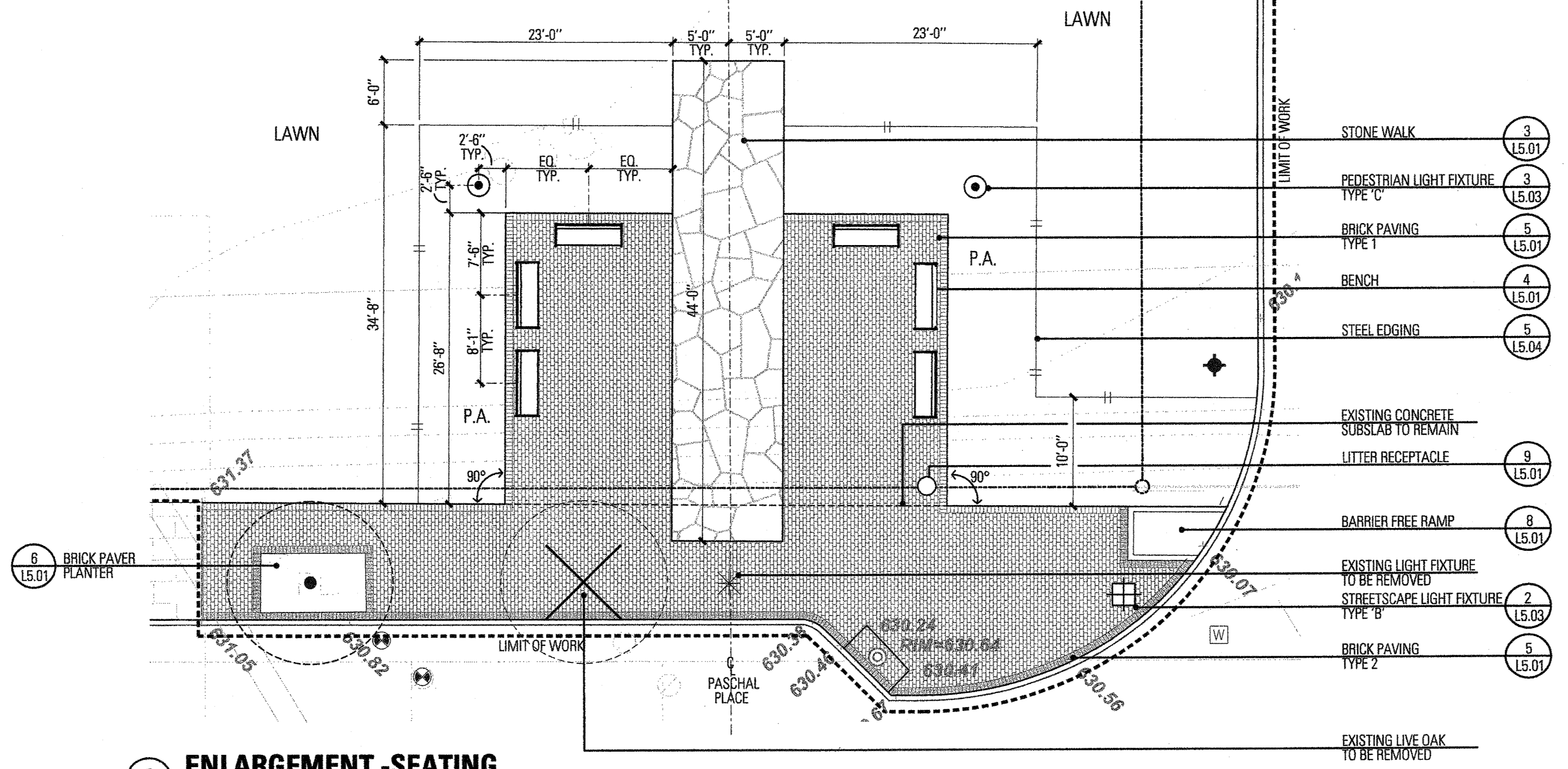
Sheet Title:
LAYOUT AND MATERIALS PLAN

L1.02

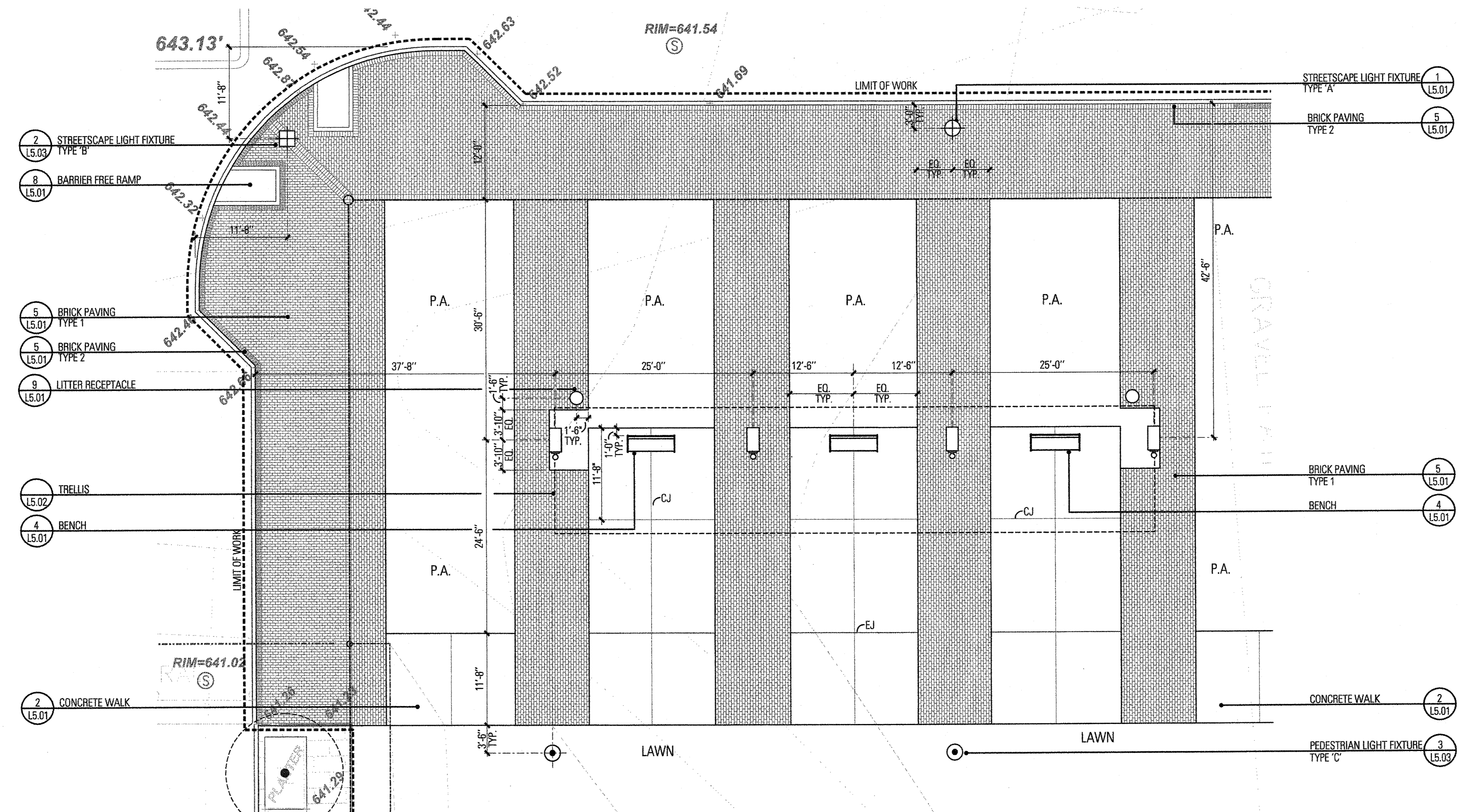
Sheet No.:



3 ENLARGEMENT - SEATING (TYP.)
SCALE: 1/8" = 1'-0"



2 ENLARGEMENT - SEATING
SCALE: 1/8" = 1'-0"



1 ENLARGEMENT - TRELLIS/SEATING
SCALE: 1/8" = 1'-0"

