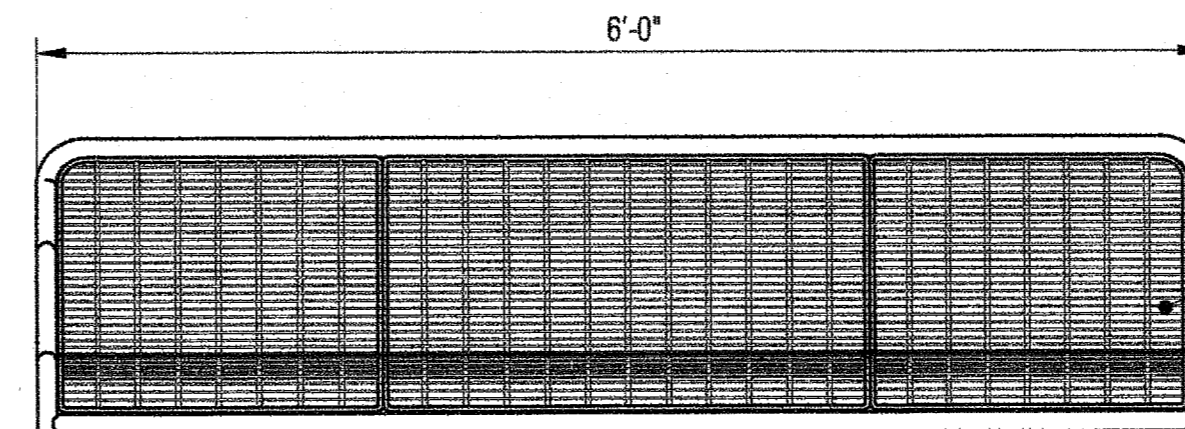
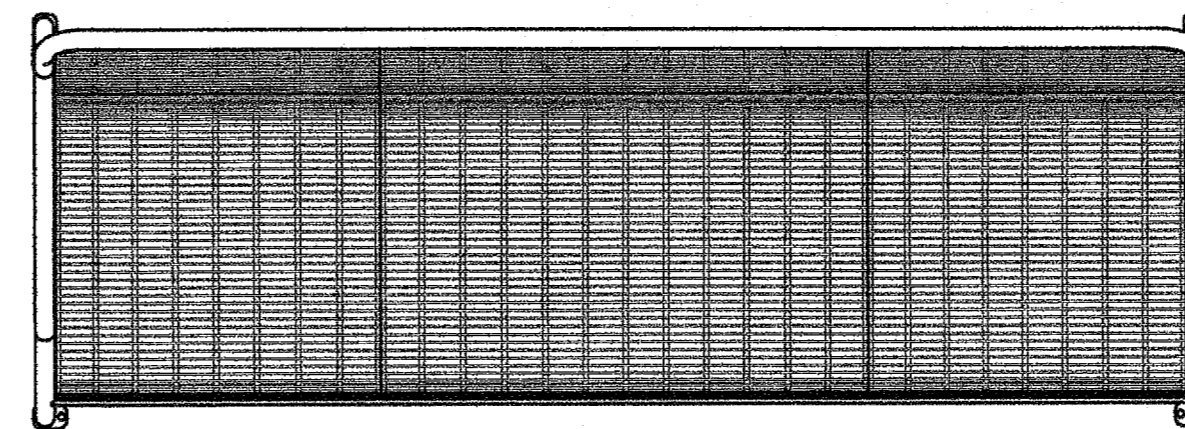


**NOTE:**  
TRASH RECEPTACLE (FREESTANDING/  
SURFACE MOUNT SIDE OPENING LITTER)  
FROM LANDSCAPE FORMS  
DESIGN GROUP: PLEXUS COLLECTION  
LITTER RECEPTACLE  
SIZE: 30 GALLON  
POWDERCOAT COLOR: BLACK

**SURFACE MOUNTING INSTRUCTIONS:**

1. WHERE LITTER RECEPTACLE IS TO BE INSTALLED ON POURED CONCRETE USE 3/8" DIA. NON-CORROSSIVE, STUD TYPE EXPANSION ANCHOR, MINIMUM OF 2 1/2" LONG.
2. WHERE LITTER RECEPTACLE IS TO BE INSTALLED ON BRICK PAVERS USE 3/8" DIA. NON-CORROSSIVE, STUD TYPE EXPANSION ANCHOR, W/ENOUGH LENGTH TO GO THROUGH BRICK AND INTO CONCRETE A MINIMUM OF 2".

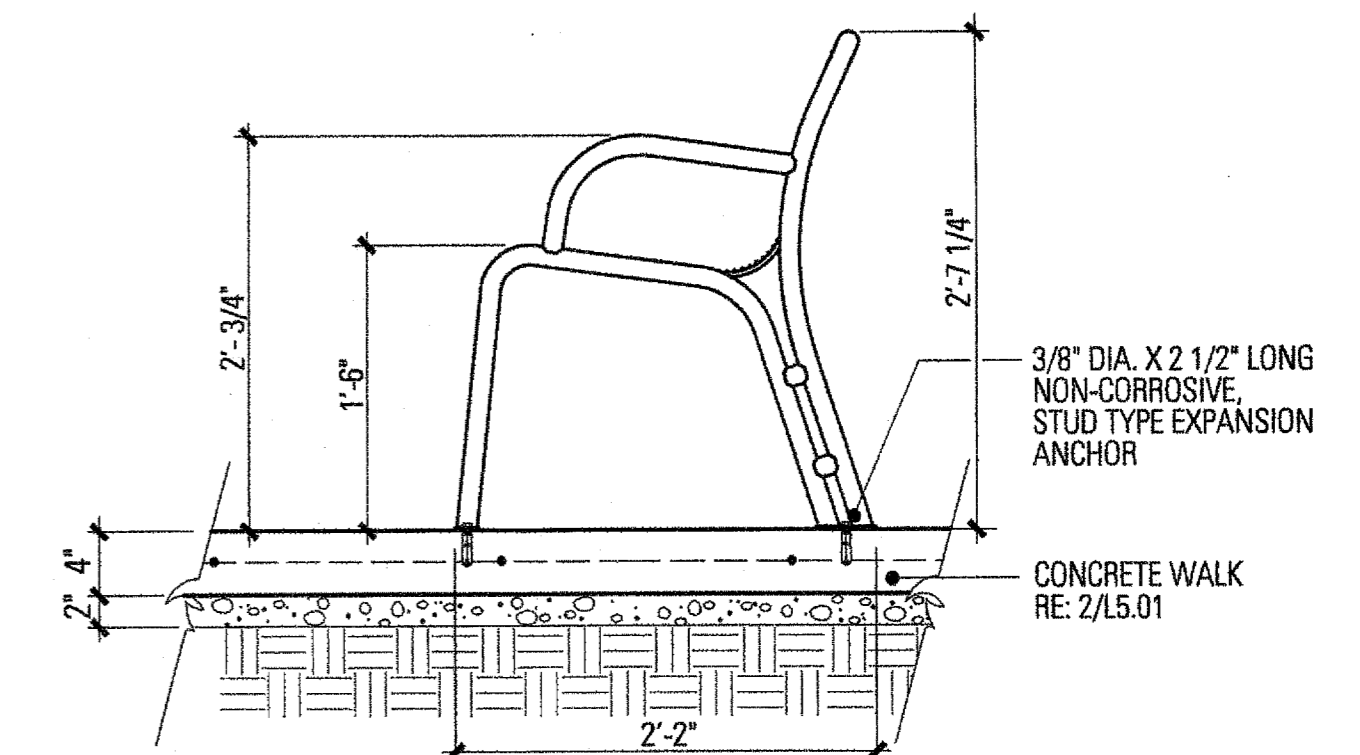


**NOTE:**  
BACKED BENCH (SURFACE MOUNT,  
FREESTANDING W/ ARMS)  
FROM LANDSCAPE FORMS  
DESIGN GROUP: MANISTEE  
BACKED BENCH W/ARMS  
SIZE: 72" LENGTH  
POWDERCOAT COLOR: BLACK

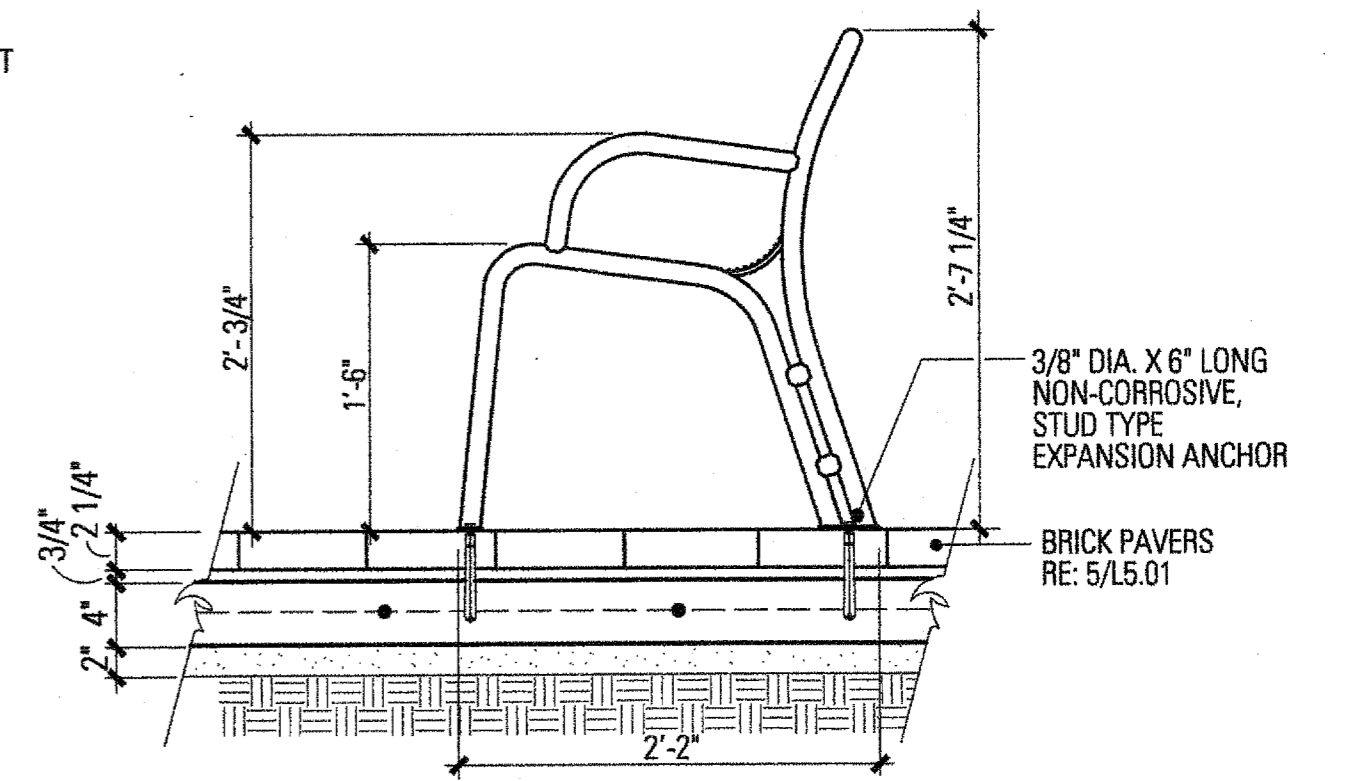
MANUFACTURER:  
LANDSCAPE FORMS  
www.landscapeforms.com  
CONTACT:  
DIANE COLLIER  
LANDSCAPE FORMS DALLAS OFFICE  
(888) 667-1145

**SURFACE MOUNTING INSTRUCTIONS:**

1. WHERE BENCH IS TO BE INSTALLED ON POURED CONCRETE USE 3/8" DIA. NON-CORROSSIVE, STUD TYPE EXPANSION ANCHOR, MINIMUM OF 2 1/2" LONG.
2. WHERE BENCH IS TO BE INSTALLED ON BRICK PAVERS USE 3/8" DIA. NON-CORROSSIVE, STUD TYPE EXPANSION ANCHOR, W/ENOUGH LENGTH TO GO THROUGH BRICK AND INTO CONCRETE A MINIMUM OF 2 1/2".



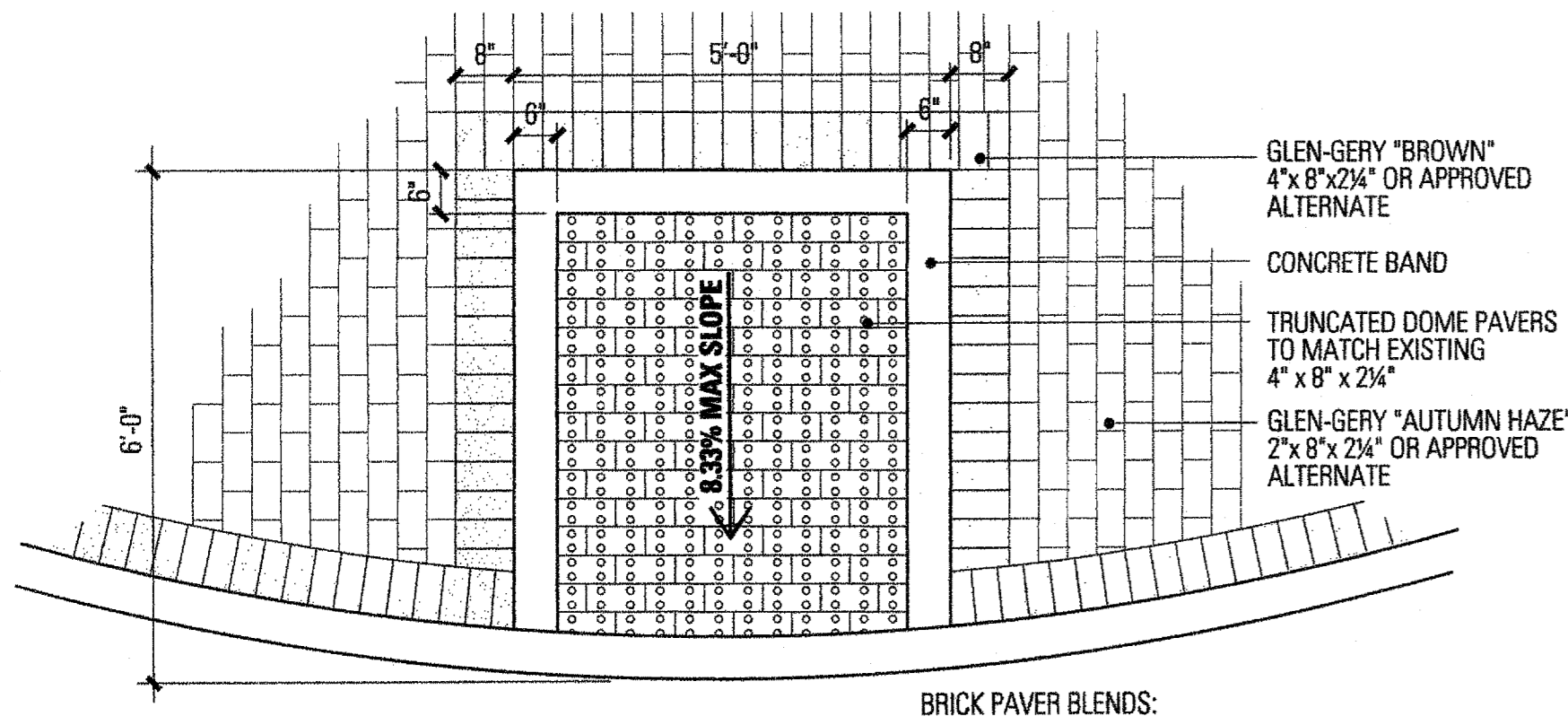
**SURFACE MOUNT-CONCRETE WALK**



**SURFACE MOUNT-BRICK PAVERS**

**9 TRASH RECEPTACLE**

SCALE: 1"=1'-0"

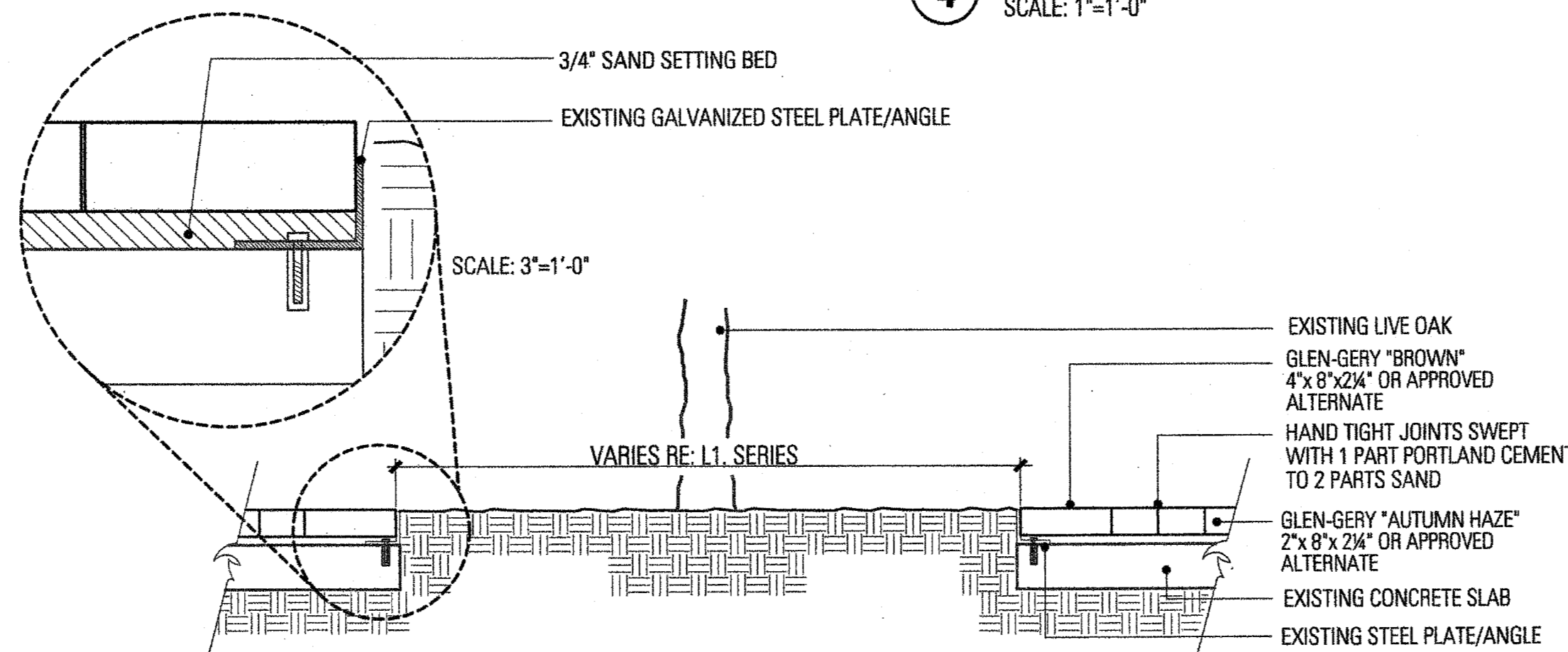


BRICK PAVER BLENDS:

1. BRICK PAVER "TYPE 1" GLEN-GERY "AUTUMN HAZE" 2"x 8"x 2-1/4" OR APPROVED ALTERNATE
2. BRICK PAVER "TYPE 2" GLEN-GERY "BROWN" 4"x 8"x 2-1/4" OR APPROVED ALTERNATE

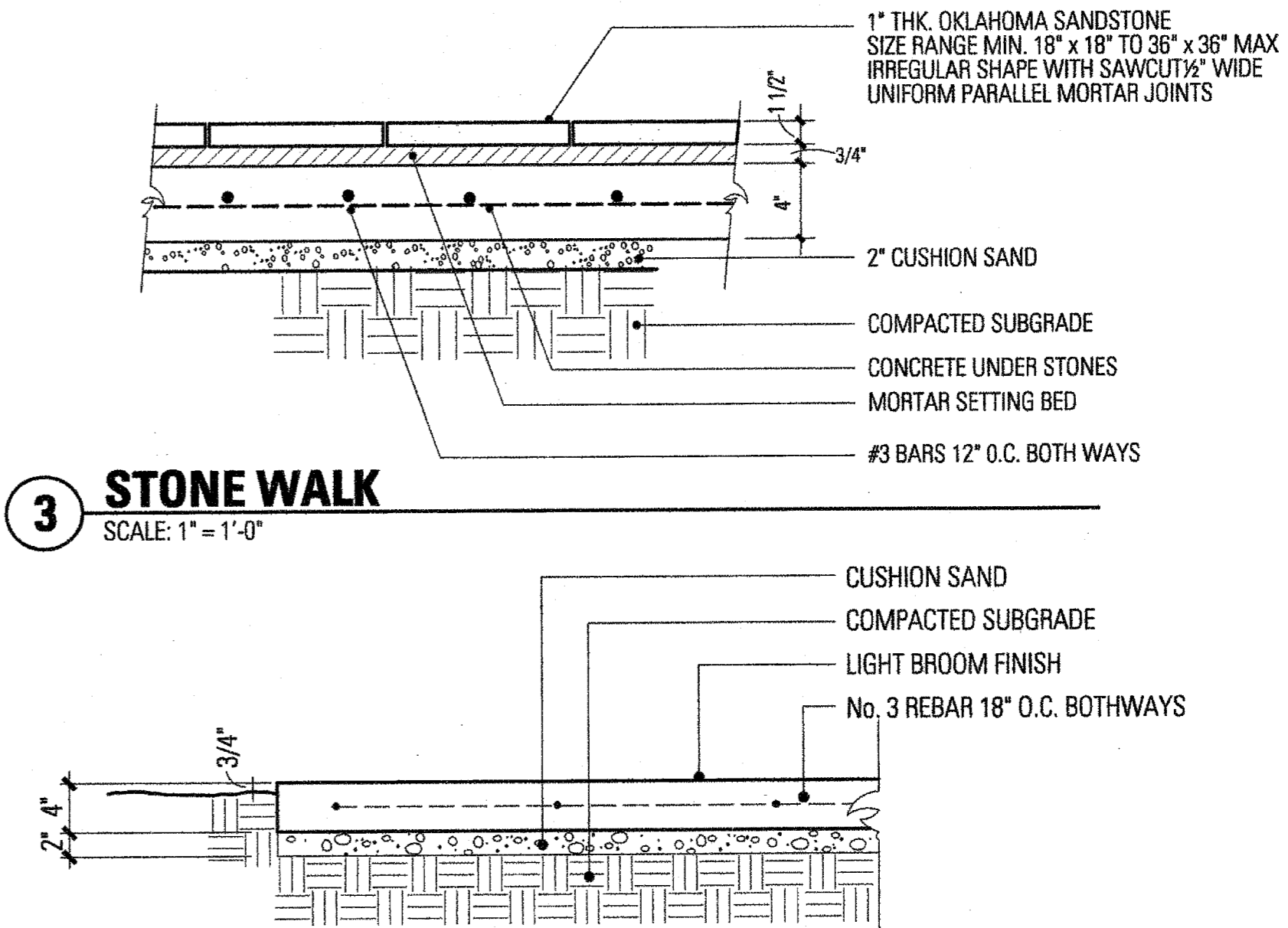
**4 BENCH**

SCALE: 1"=1'-0"



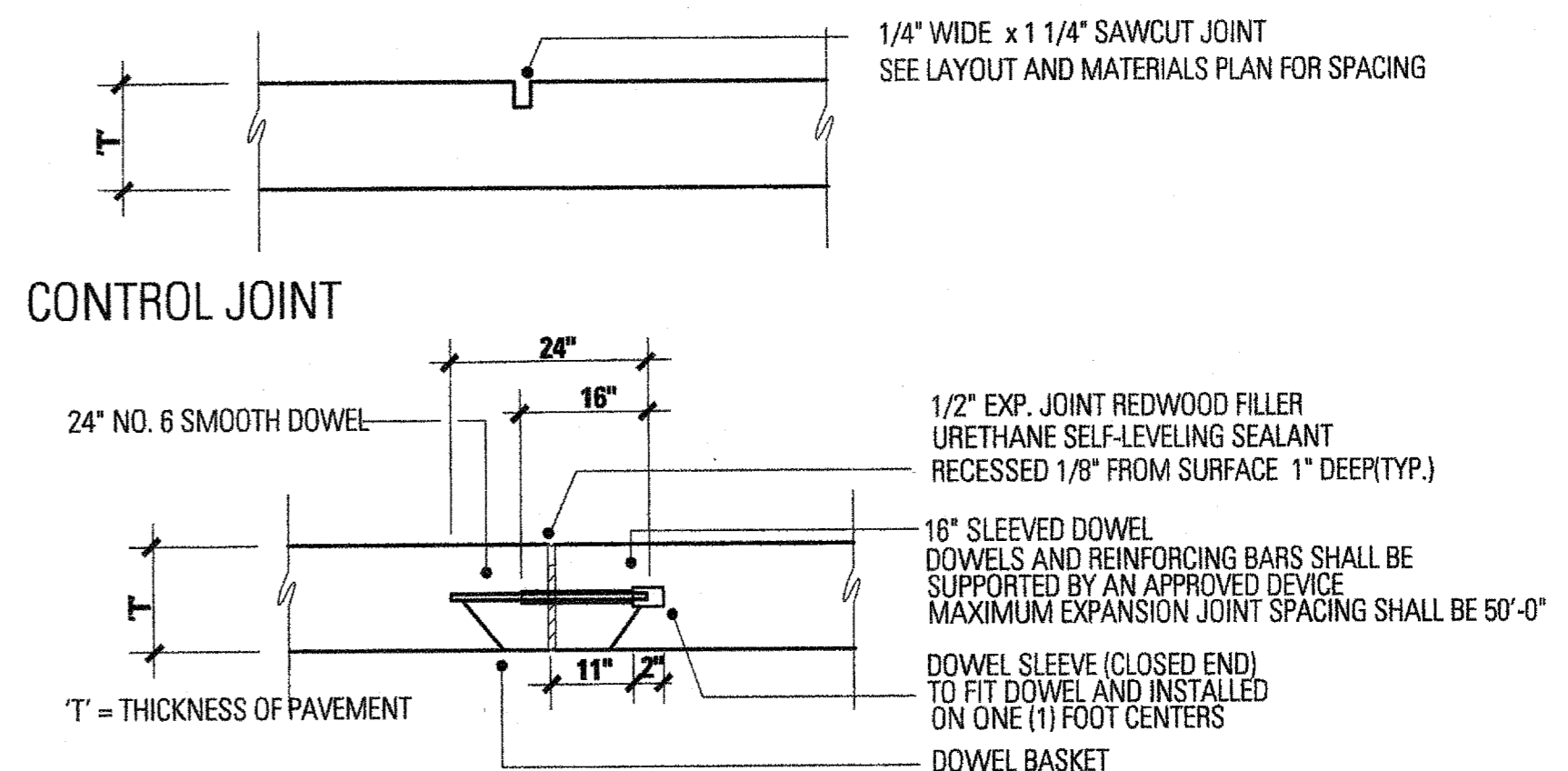
**3 STONE WALK**

SCALE: 1"=1'-0"



**2 CONCRETE WALK SECTION**

SCALE: 1"=1'-0"



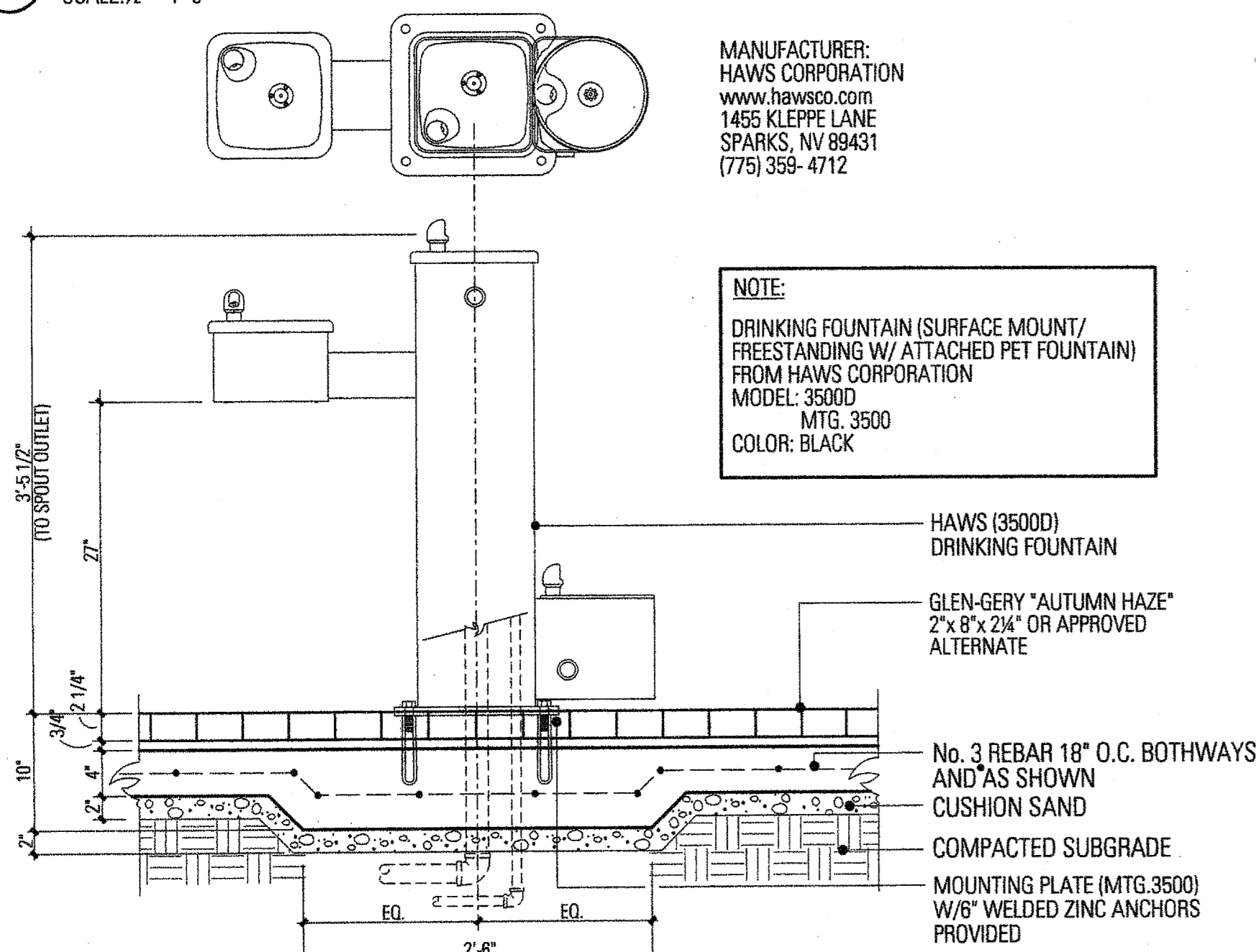
**EXPANSION JOINT WITH DOWEL**

**1 JOINTS IN CONCRETE**

SCALE: 1/2"=1'-0"

**8 BARRIER FREE RAMP**

SCALE: 1/2"=1'-0"

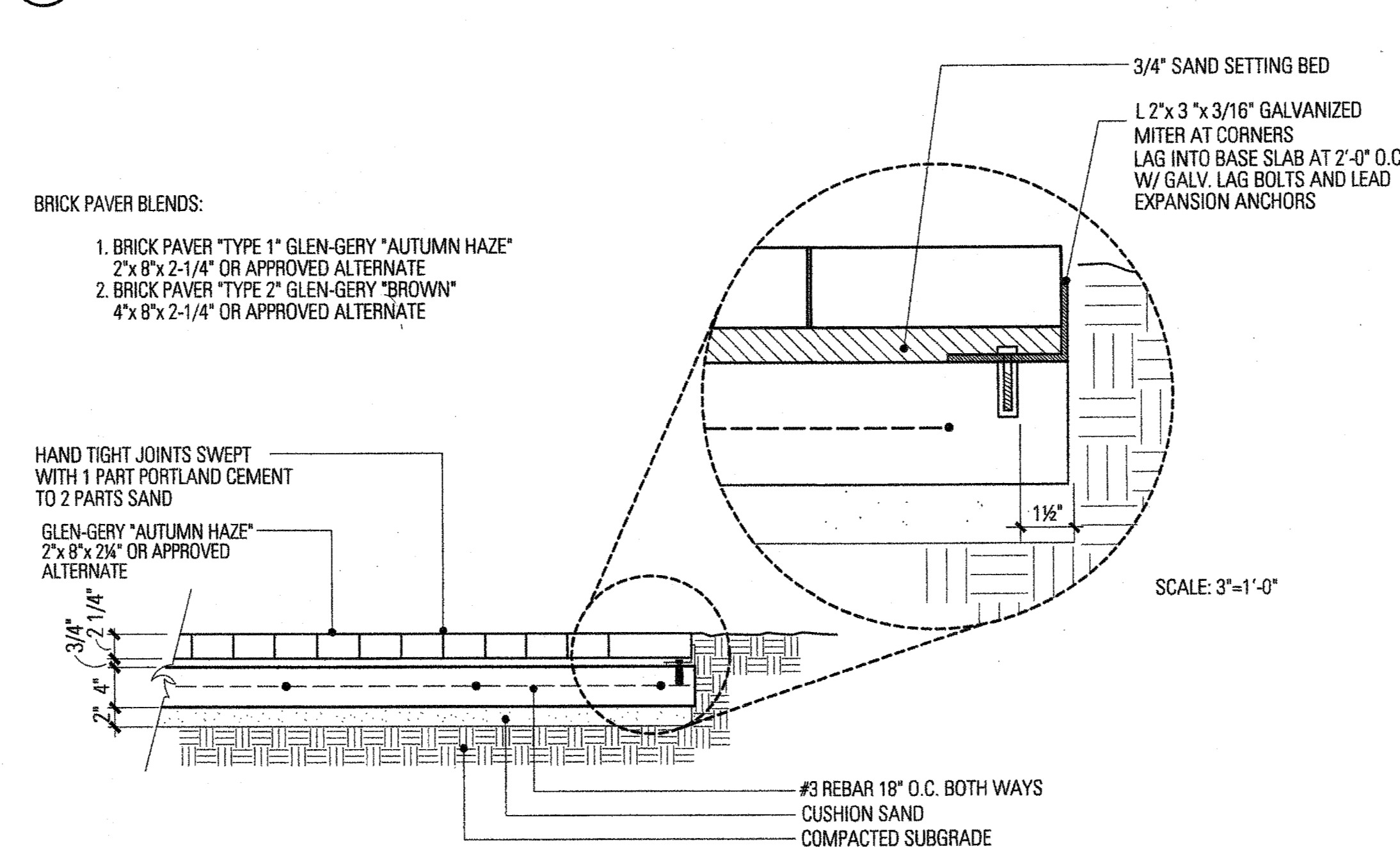


**NOTE:**  
DRINKING FOUNTAIN (SURFACE MOUNT/  
FREESTANDING W/ ATTACHED PET FOUNTAIN)  
FROM HAWS CORPORATION  
MODEL: 3500D  
MTG. 3500  
COLOR: BLACK

MANUFACTURER:  
HAWS CORPORATION  
www.hawsco.com  
1455 KLEPPE LANE  
SPARKS, NV 89431  
(775) 359-4712

**6 BRICK PAVER PLANTER**

SCALE: 1"=1'-0"



BRICK PAVER BLENDS:

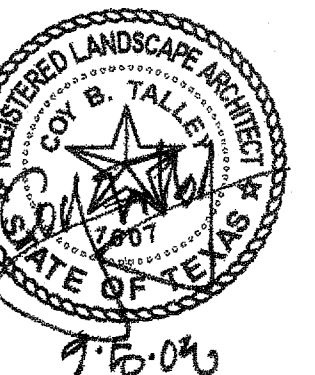
1. BRICK PAVER "TYPE 1" GLEN-GERY "AUTUMN HAZE" 2"x 8"x 2-1/4" OR APPROVED ALTERNATE
2. BRICK PAVER "TYPE 2" GLEN-GERY "BROWN" 4"x 8"x 2-1/4" OR APPROVED ALTERNATE

HAND TIGHT JOINTS SWEEP  
WITH 1 PART PORTLAND CEMENT  
TO 2 PARTS SAND

GLEN-GERY "AUTUMN HAZE"  
2"x 8"x 2-1/4" OR APPROVED  
ALTERNATE

**5 BRICK PAVERS**

SCALE: 1"=1'-0"



Project No. 5034

Drawn By: JW

Checked By: CT/KB

Date: 5 September 2008

Issued:

Issued:

Issued:

Revisions:

- △
- △
- △
- △

Sheet Title:

DETAILS

**L5.01**

Sheet No.: