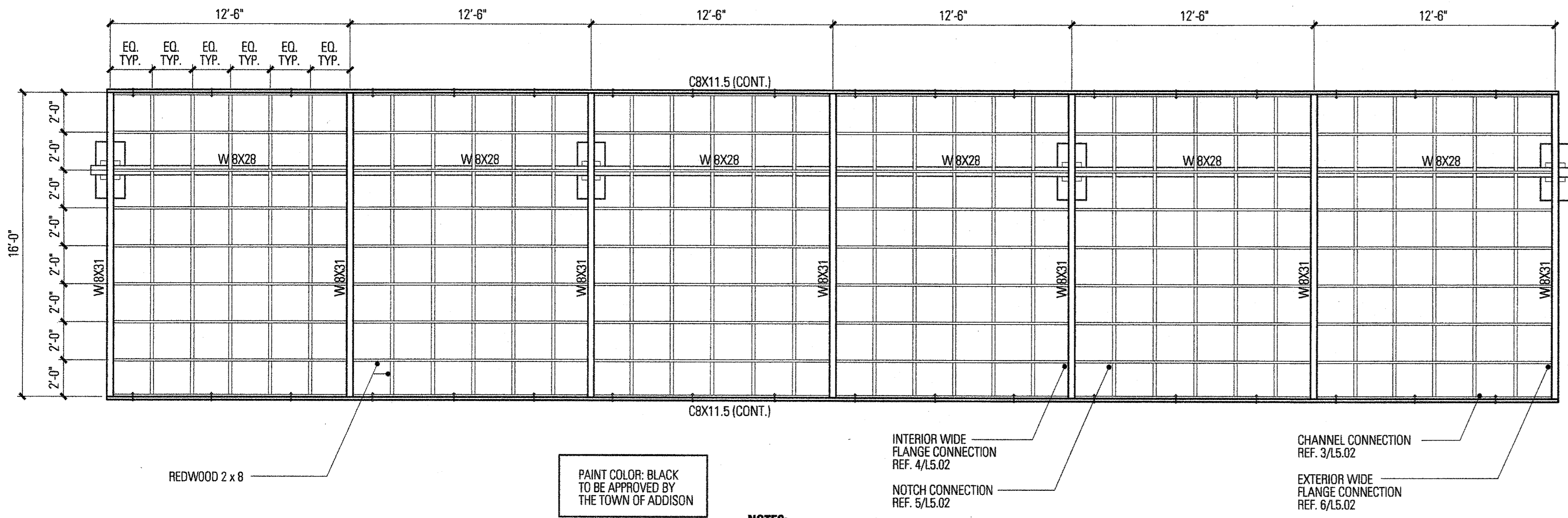


FAIRFIELD PARK

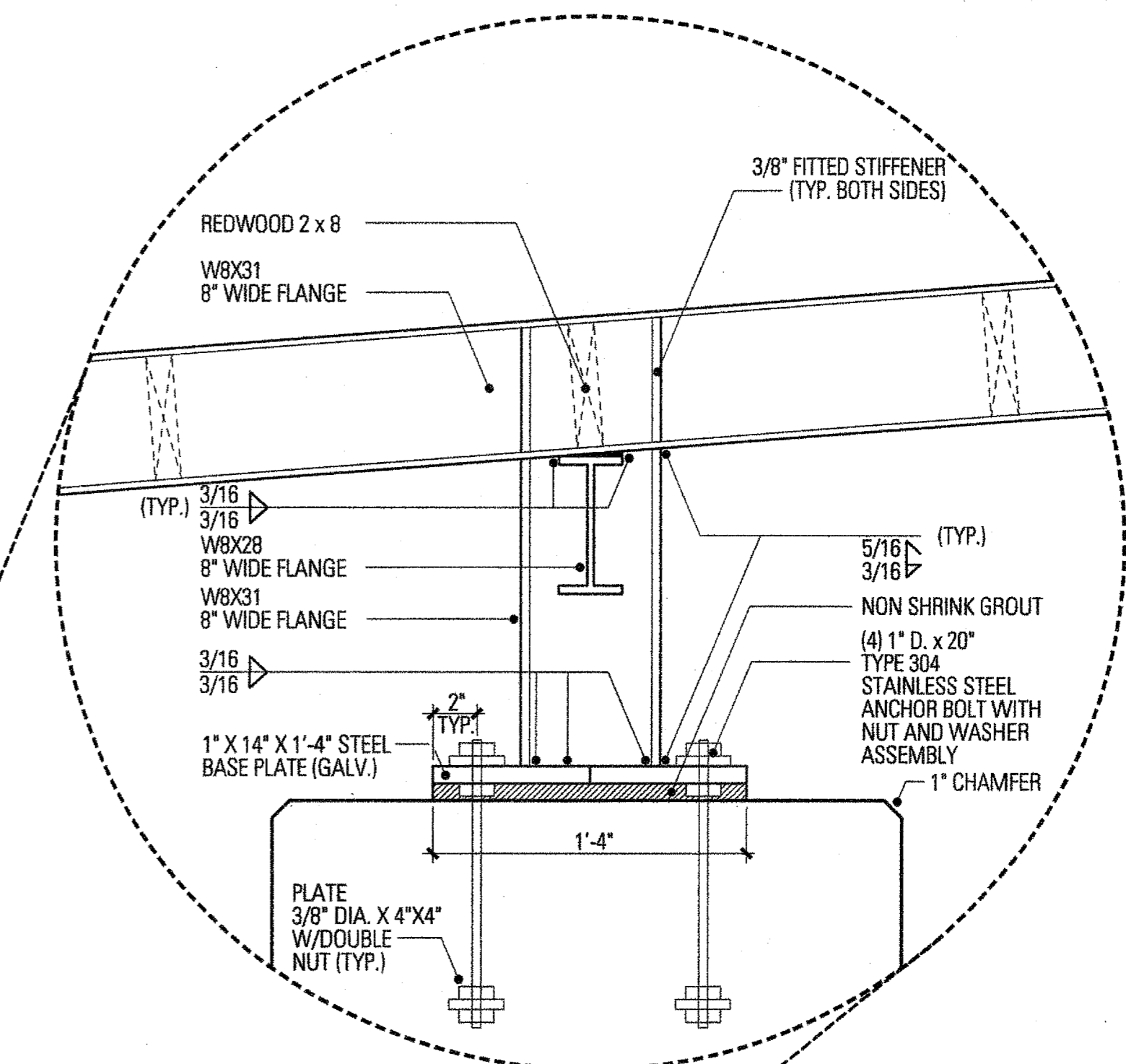
Town of Addison, Texas

TalleyAssociates

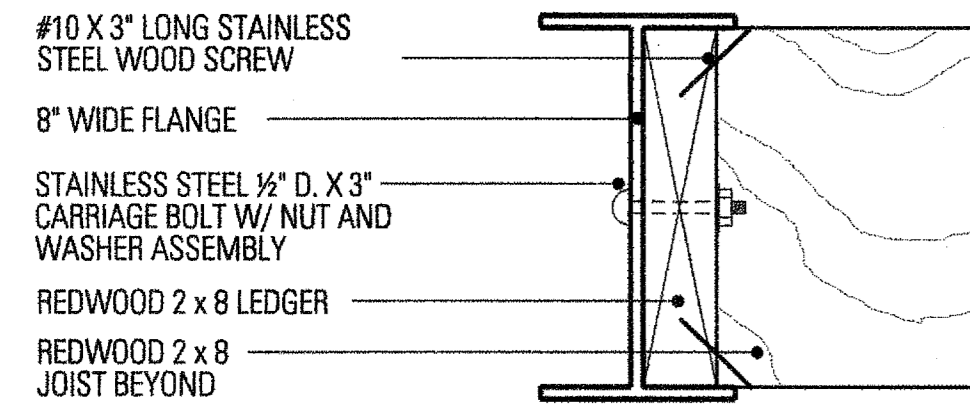
Landscape Architecture
 Planning
 Urban Design
 1825 San Jacinto, Suite 400
 Dallas, Texas 75201
 Tel: 214-571-7959
 Fax: 214-571-7985



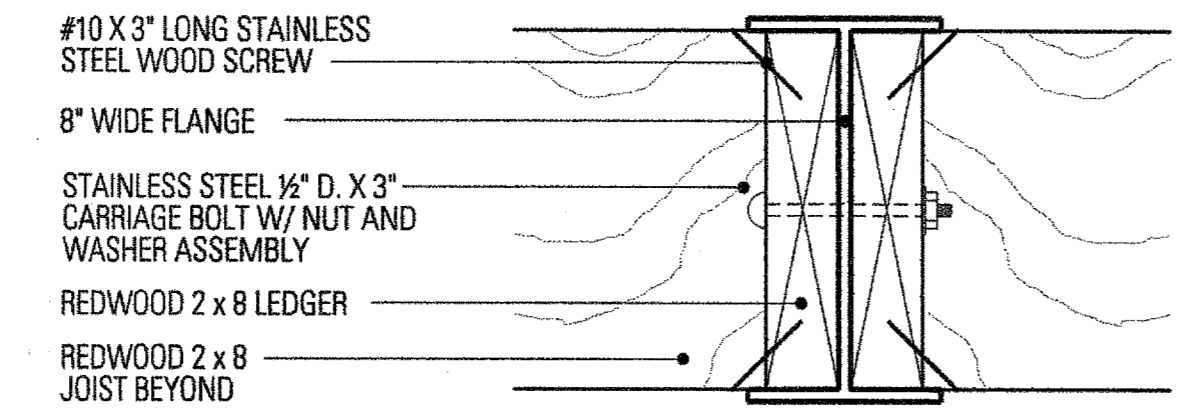
2 TRELLIS FRAMING PLAN
 SCALE: 1/4" = 1'-0"



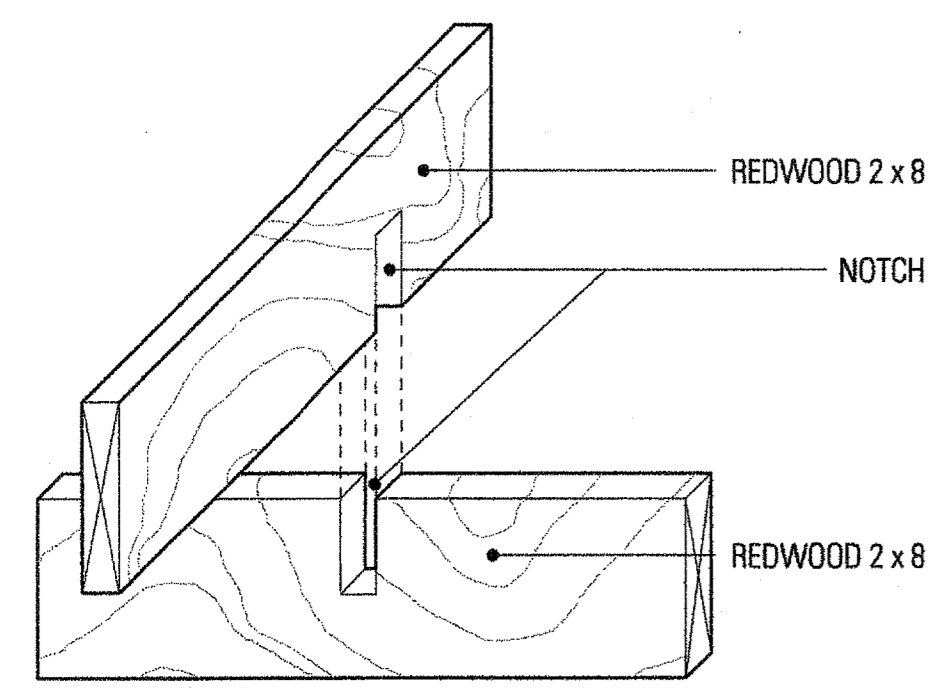
1A - TRELLIS ENLARGEMENT
 SCALE: 1 1/2" = 1'-0"



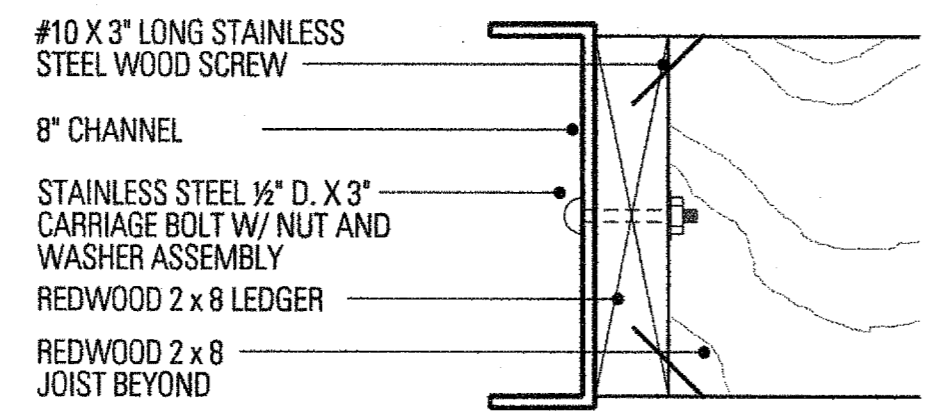
6 EXTERIOR WIDE FLANGE CONNECTION
 SCALE: 3" = 1'-0"



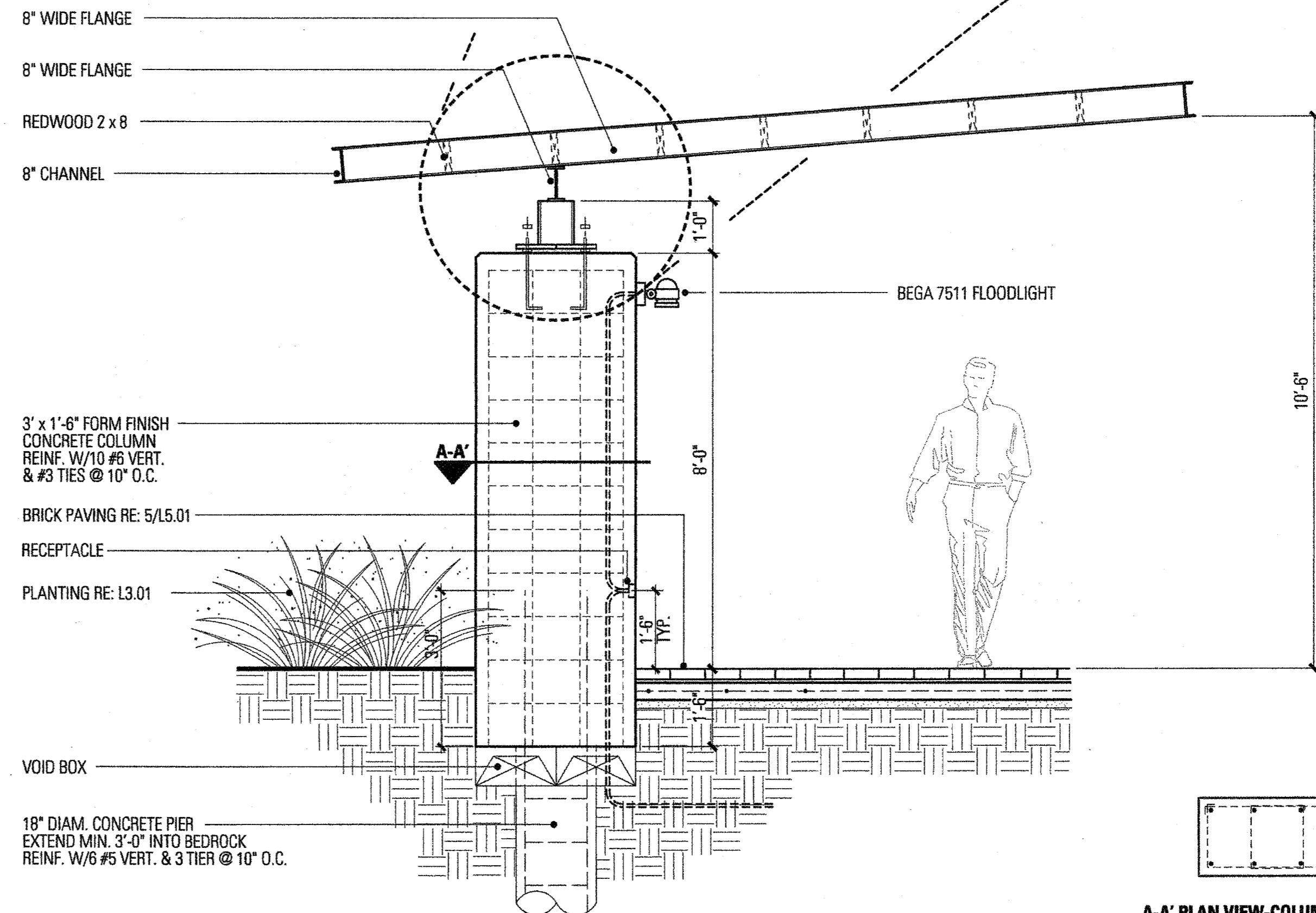
4 INTERIOR WIDE FLANGE CONNECTION
 SCALE: 3" = 1'-0"



5 NOTCH CONNECTION
 SCALE: 1 1/2" = 1'-0"

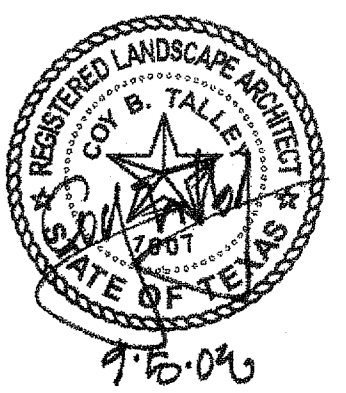


3 CHANNEL CONNECTION
 SCALE: 3" = 1'-0"



1 TRELLIS SECTION
 SCALE: 1/2" = 1'-0"

NOTES:
 1. REDWOOD SHALL CLEAR ALL HEART, KILN DRIED, AND S4S.
 2. ALL FASTENERS MUST BE STAINLESS STEEL.



| | |
|-------------|------------------|
| Project No. | 5034 |
| Drawn By: | JW |
| Checked By: | CT/KB |
| Date: | 5 September 2008 |
| Issued: | |
| Issued: | |
| Issued: | |
| Revisions: | |
| △ | |
| △ | |
| △ | |

Sheet Title:

DETAILS

L5.02

Sheet No.:

