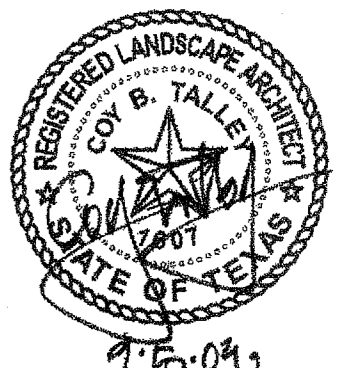


FAIRFIELD PARK

Town of Addison, Texas

TalleyAssociates

Landscape Architecture
Planning
Urban Design
1926 San Jacinto, Suite 400
Dallas, Texas 75201
Tel: 214-871-7990
Fax: 214-871-7995



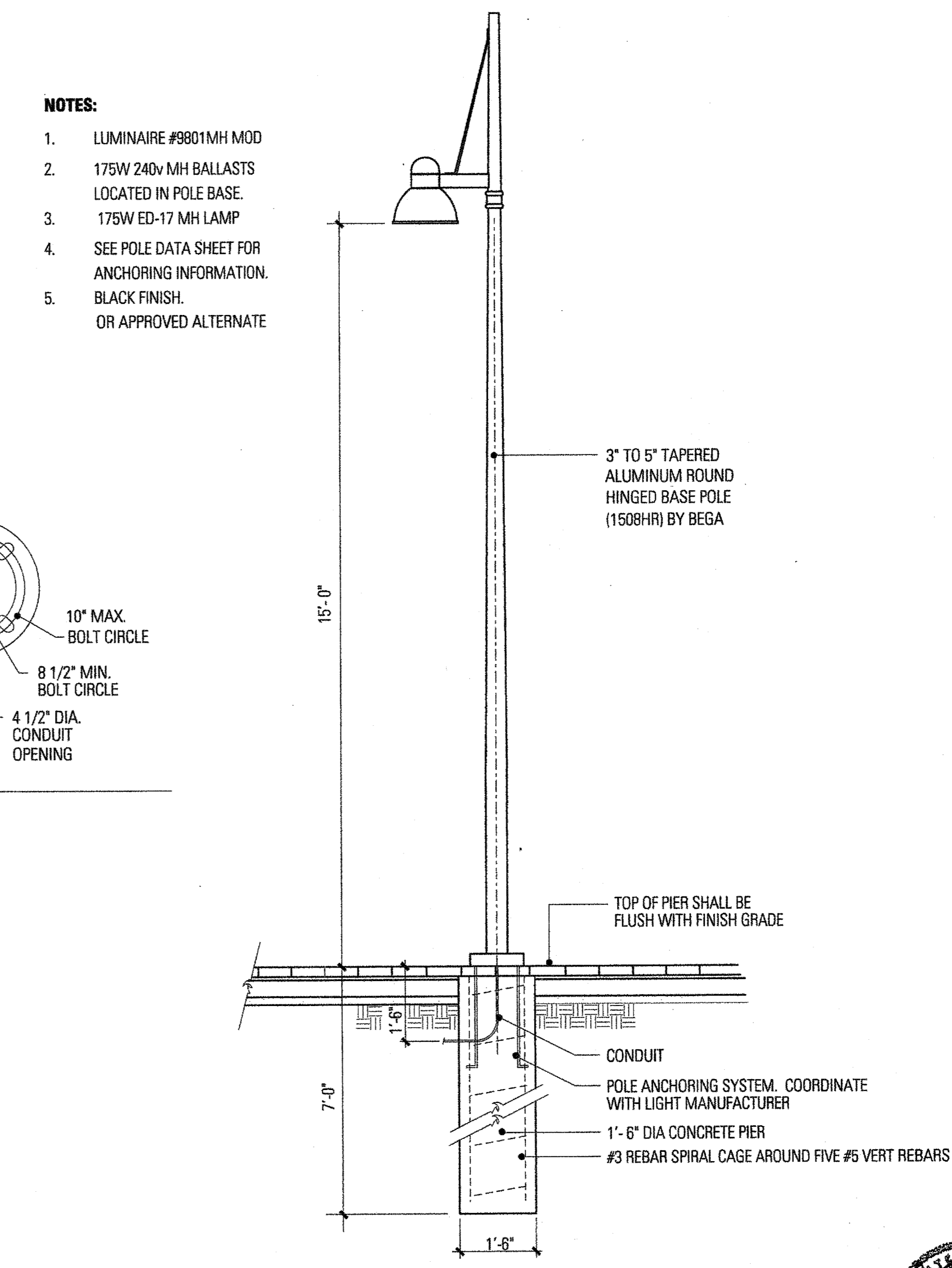
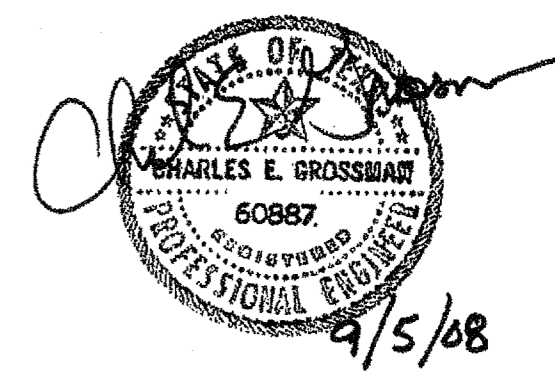
Project No.	5034
Drawn By:	JW
Checked By:	CT/KB
Date:	5 September 2008
Issued:	
Issued:	
Issued:	
Revisions:	
△	
△	
△	
△	

Sheet Title:

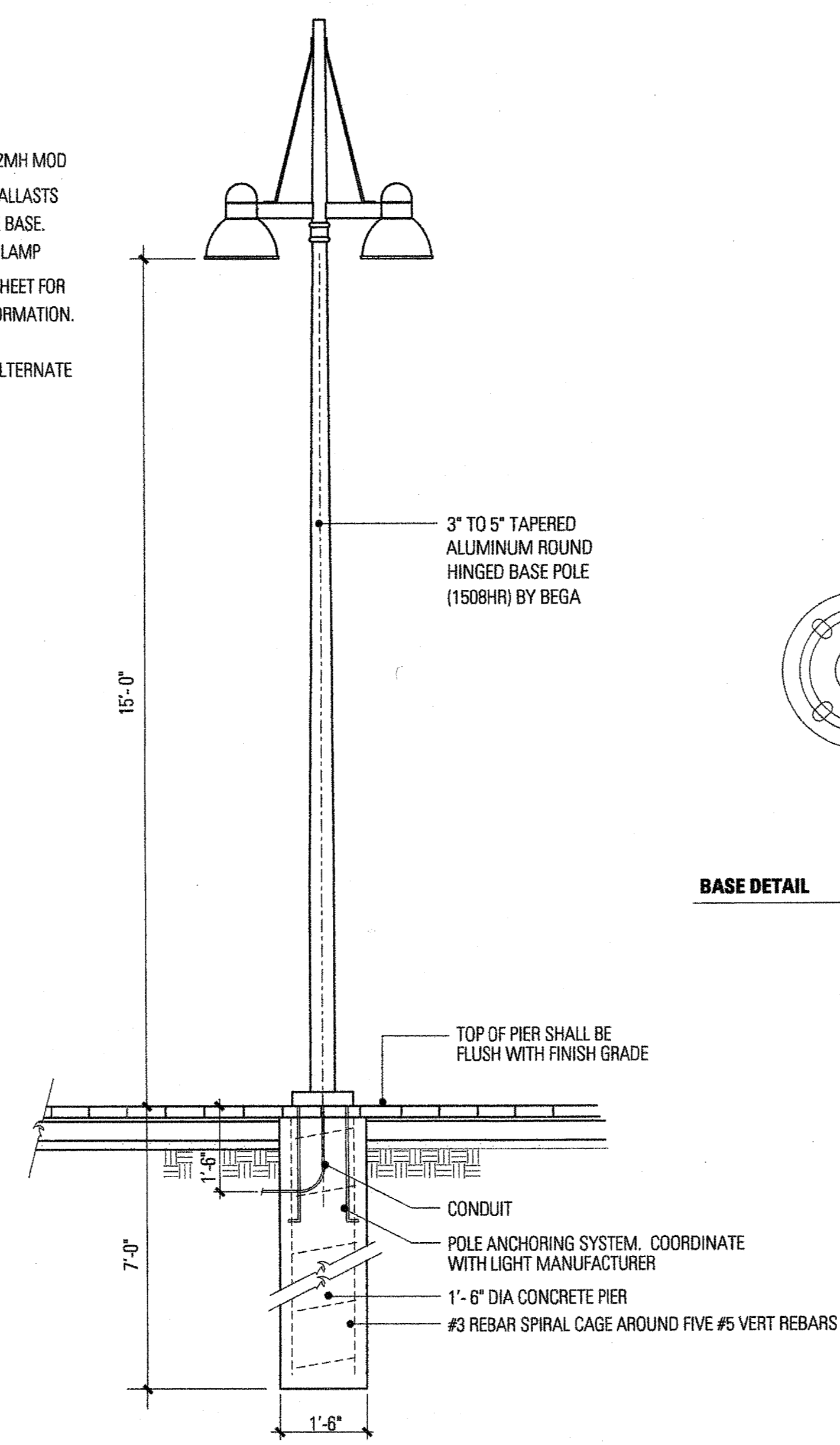
DETAILS

L5.03

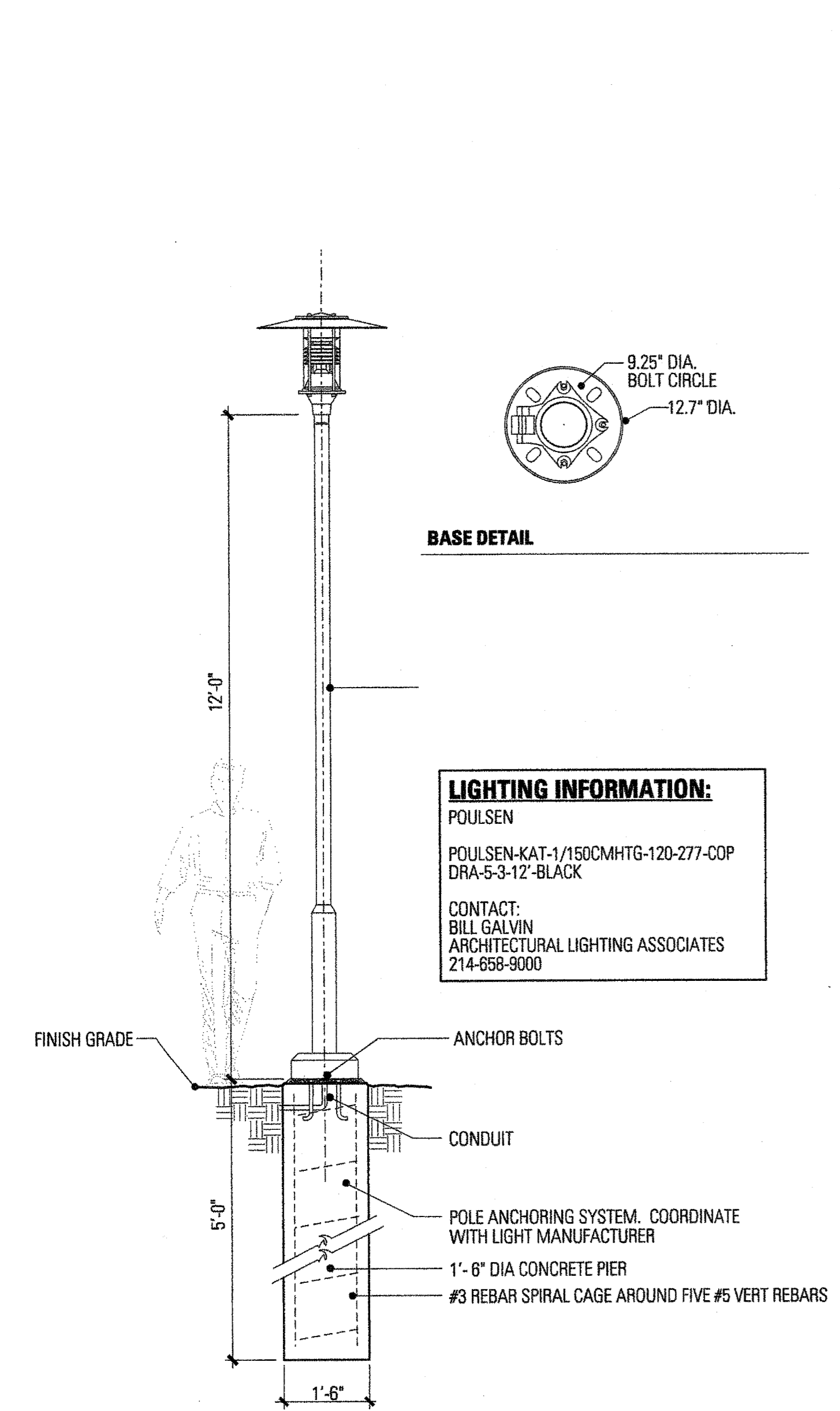
Sheet No.:



1 STREETScape LIGHT FIXTURE - TYPE 'A'
SCALE: 1/2" = 1'-0"



2 STREETScape LIGHT FIXTURE - TYPE 'B'
SCALE: 1/2" = 1'-0"



3 PEDESTRIAN LIGHT FIXTURE - TYPE 'C'
SCALE: 1/2" = 1'-0"

NOTES:

1. LUMINAIRE #9802MH MOD
2. 175W 240v MH BALLASTS LOCATED IN POLE BASE.
3. 175W ED-17 MH LAMP
4. SEE POLE DATA SHEET FOR ANCHORING INFORMATION. BLACK FINISH. OR APPROVED ALTERNATE

NOTES:

1. LUMINAIRE #9801MH MOD
2. 175W 240v MH BALLASTS LOCATED IN POLE BASE.
3. 175W ED-17 MH LAMP
4. SEE POLE DATA SHEET FOR ANCHORING INFORMATION. BLACK FINISH. OR APPROVED ALTERNATE

LIGHTING INFORMATION:
POULSEN
POULSEN-KAT-1/150CMHTG-120-277-COP
DRA-5-3-12-BLACK
CONTACT:
BILL GALVIN
ARCHITECTURAL LIGHTING ASSOCIATES
214-858-9000

BASE DETAIL

BASE DETAIL

