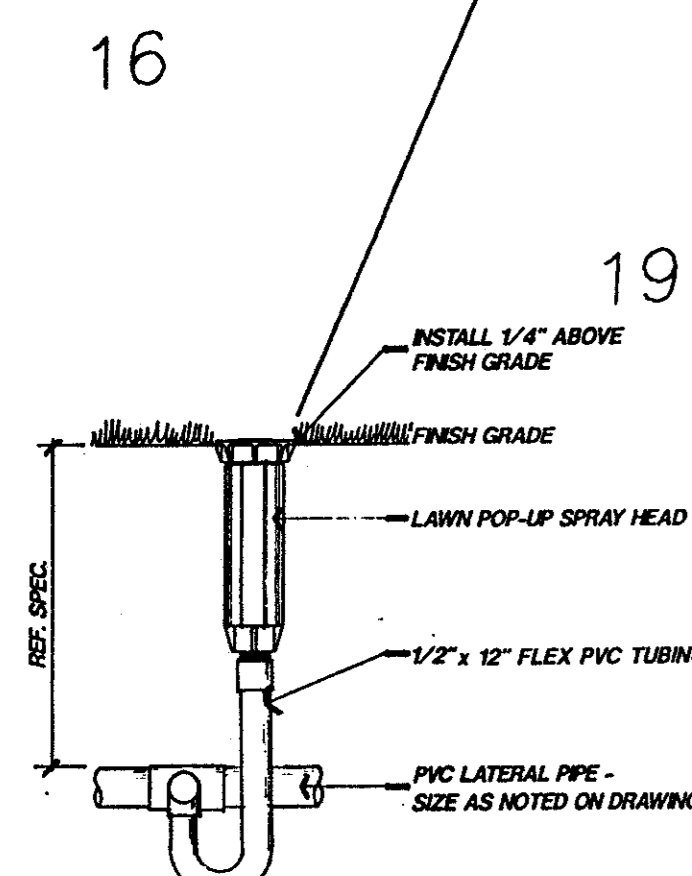
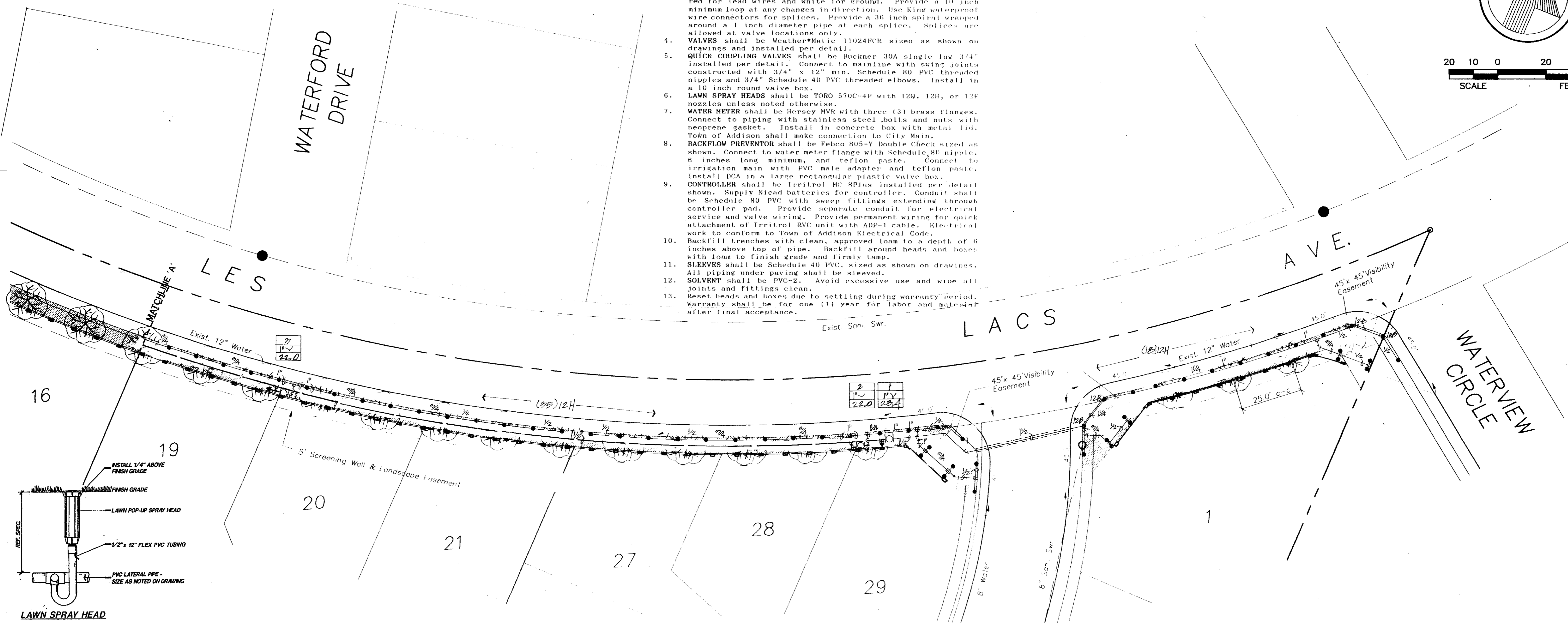
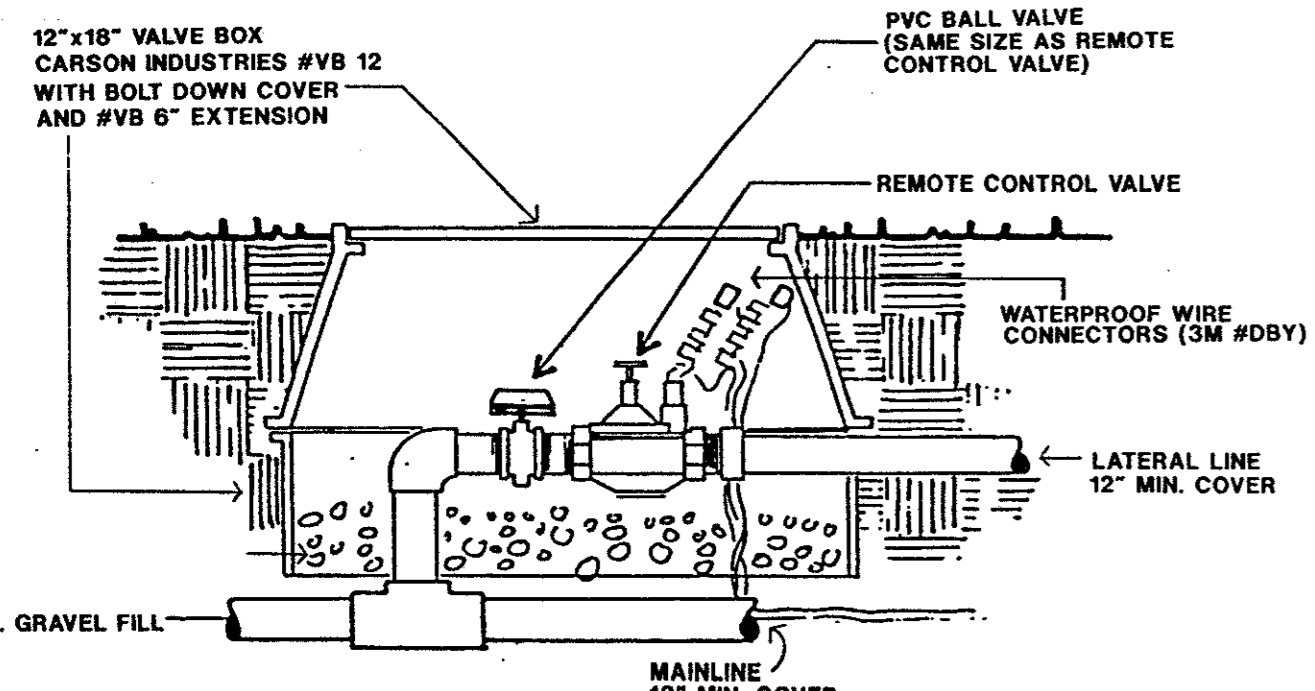


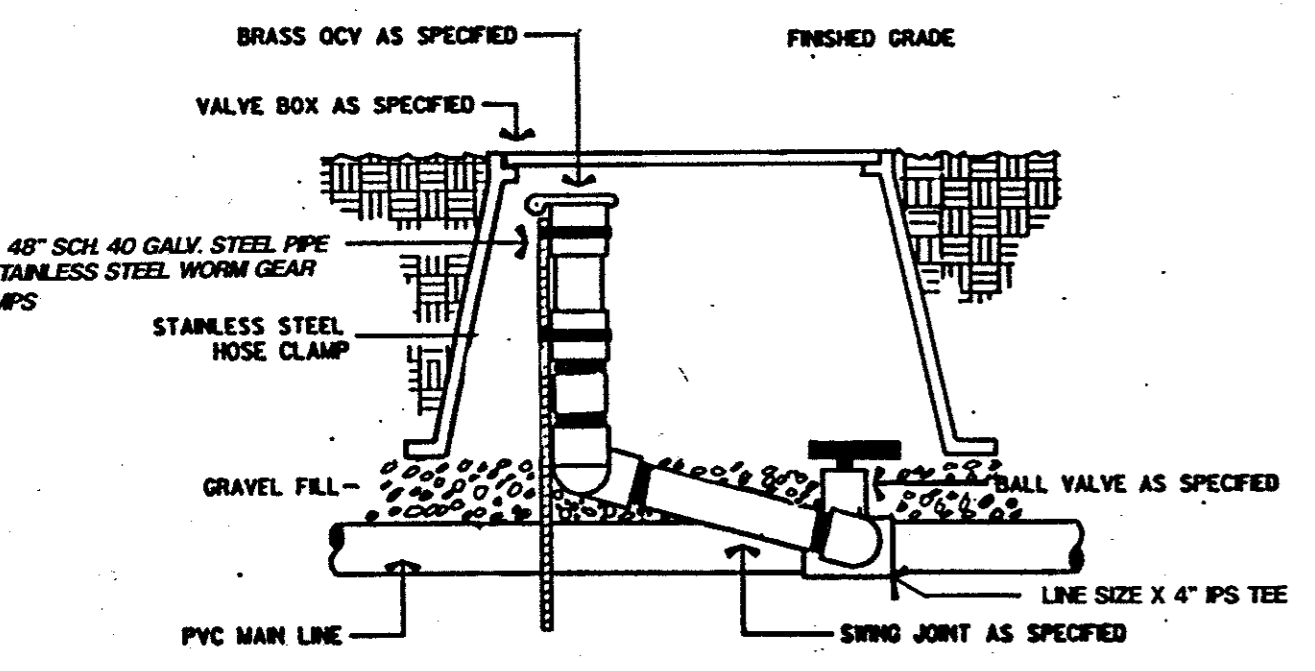
- NOTES:**
- PIPE shall be Schedule 40 Belfed PVC with no more than two (2) pipes in any one trench.
  - FITTINGS shall be Spears or Lasco Schedule 40 PVC. No crosses are permitted. Separate tees and elbows by at least 12 inches. Reduction tees are preferred over use of reducer bushings. Extend piping 18 inches minimum beyond end of sleeves prior to installing any fittings.
  - WIRING shall be 14 Ga. UF single strand, insulated color coded red for lead wires and white for ground. Provide a 10 inch minimum loop at any changes in direction. Use King waterproof wire connectors for splices. Provide a 36 inch spiral wrapped around a 1 inch diameter pipe at each splice. Splices are allowed at valve locations only.
  - VALVES shall be WeatherMatic 11024FCR sized as shown on drawings and installed per detail.
  - QUICK COUPLING VALVES shall be Buckner 30A single lug 3/4" installed per detail. Connect to mainline with swing joints constructed with 3/4" x 1/2" min. Schedule 80 PVC threaded nipples and 3/4" Schedule 40 PVC threaded elbows. Install in a 10 inch round valve box.
  - LAWN SPRAY HEADS shall be TORO 570C-4P with 120, 12H, or 12F nozzles unless noted otherwise.
  - WATER METER shall be Hersey MVR with three (3) brass flanges. Connect to piping with stainless steel bolts and nuts with neoprene gasket. Install in concrete box with metal lid. Town of Addison shall make connection to City Main.
  - BACKFLOW PREVENTOR shall be Febco 805-Y Double Check sized as shown. Connect to water meter flange with Schedule 80 nipple, 6 inches long minimum, and teflon paste. Connect to irrigation main with PVC male adapter and teflon paste. Install DCA in a large rectangular plastic valve box.
  - CONTROLLER shall be Irritrol MC 8Plus installed per detail shown. Supply Nicad batteries for controller. Conduit shall be Schedule 80 PVC with sweep fittings extending through controller pad. Provide separate conduit for electrical service and valve wiring. Provide permanent wiring for quick attachment of Irritrol RVC unit with ADP-1 cable. Electrical work to conform to Town of Addison Electrical Code.
  - Backfill trenches with clean, approved loam to a depth of 6 inches above top of pipe. Backfill around heads and boxes with loam to finish grade and firmly tamp.
  - SLIKES shall be Schedule 40 PVC, sized as shown on drawings. All piping under paving shall be sleeved.
  - SOLVENT shall be PVC-2. Avoid excessive use and wipe all joints and fittings clean.
  - Reset heads and boxes due to settling during warranty period. Warranty shall be for one (1) year for labor and material after final acceptance.



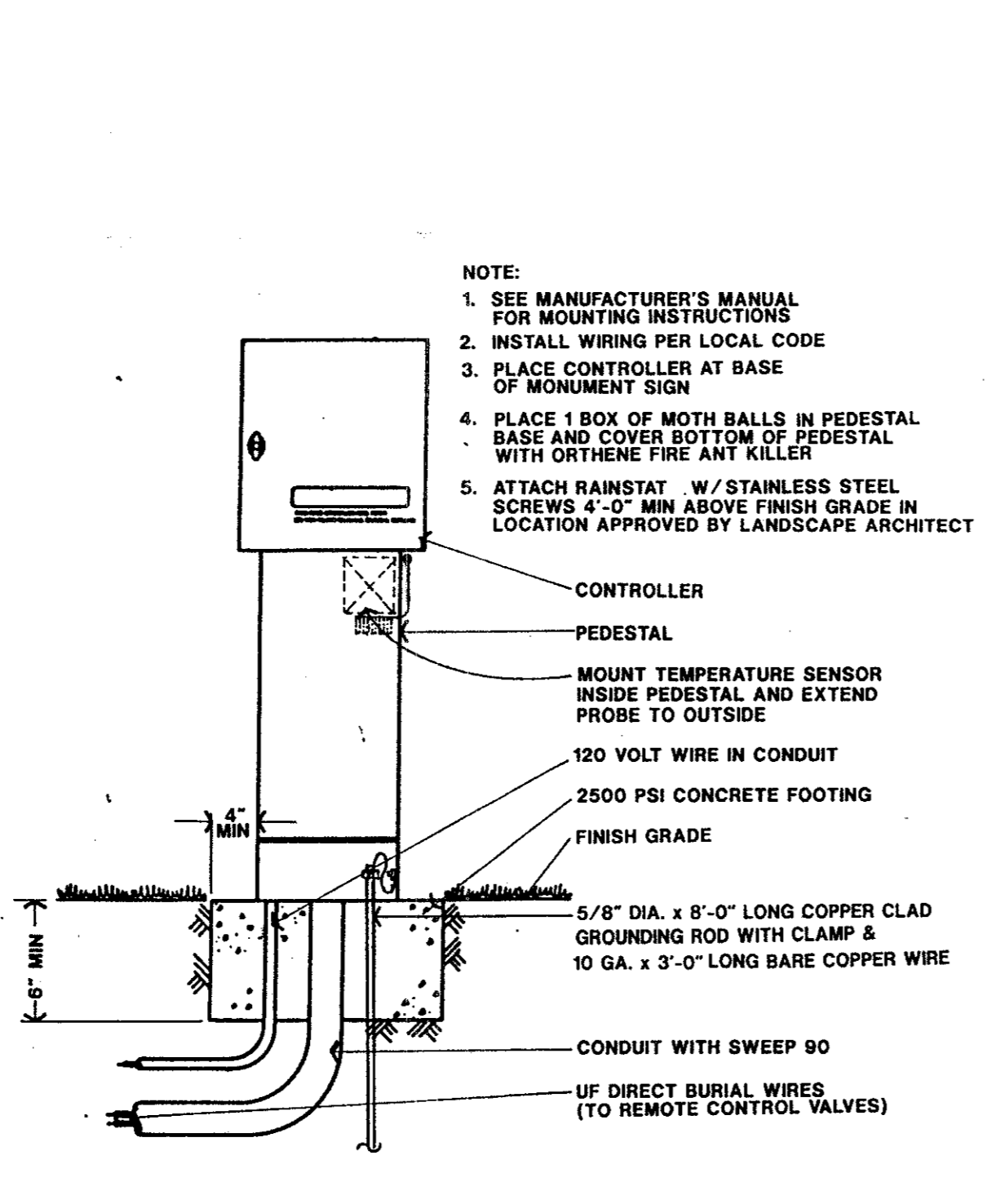
**LAWN SPRAY HEAD**



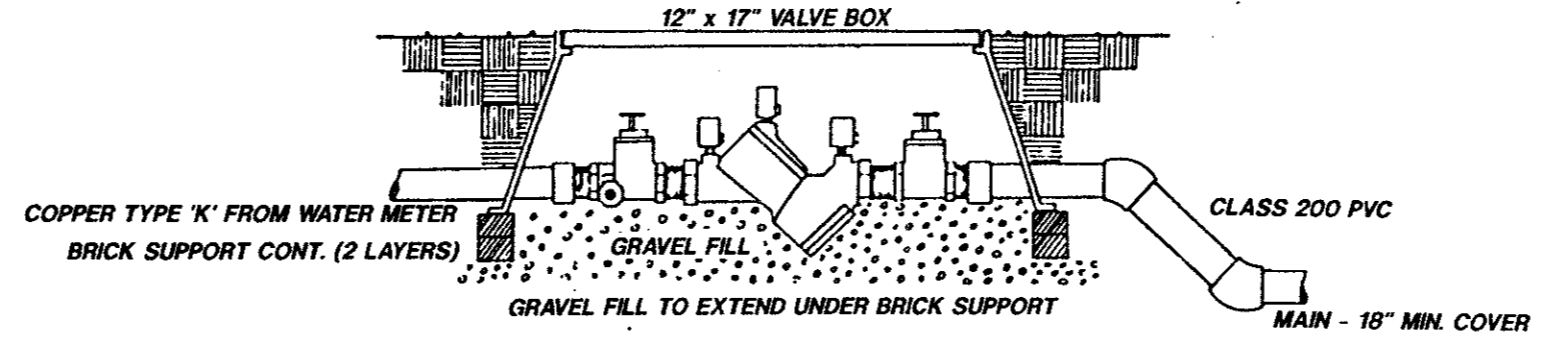
**REMOTE CONTROL VALVE #11024FCR**



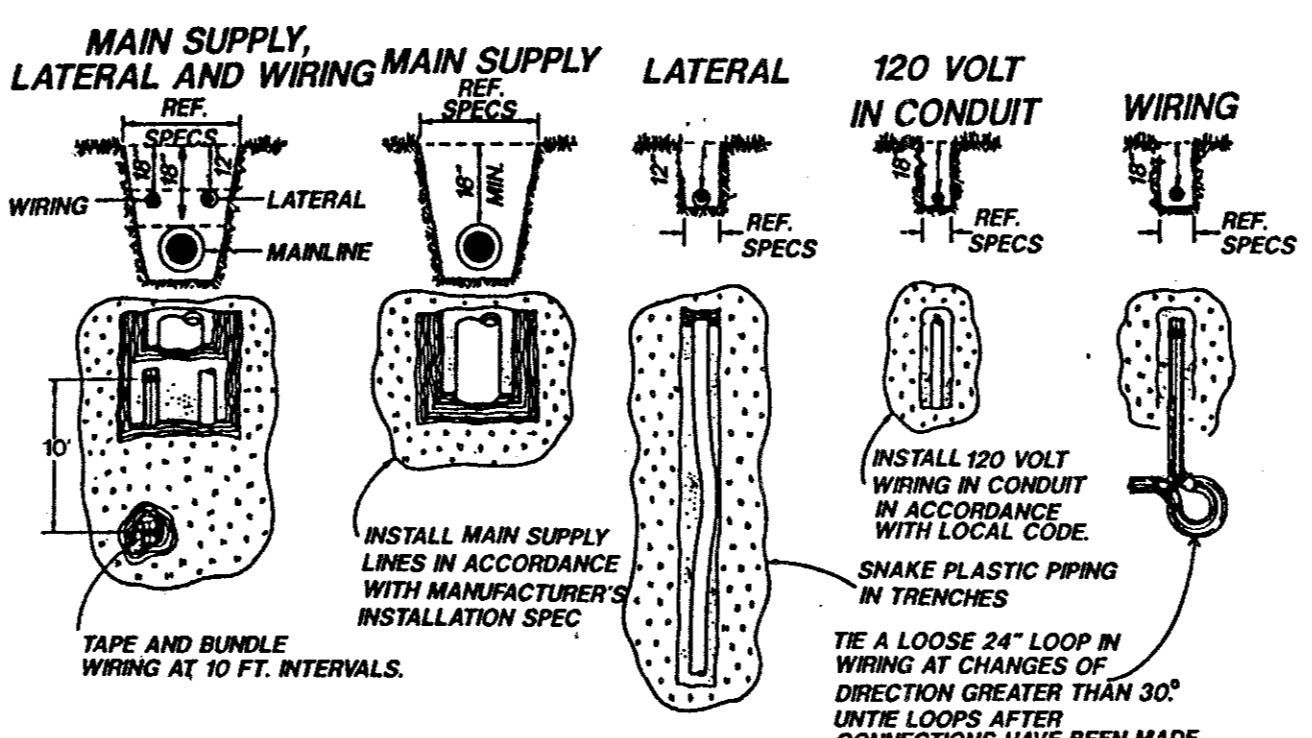
**QUICK COUPLING VALVE**



**CONTROLLER**



**BACKFLOW PREVENTION DEVICE FEBCO #805Y**



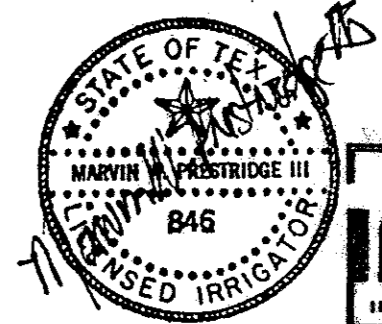
**TRENCHING DETAIL**

**RADIUS LEGEND**

F=360°
H=180°
O=90°
A=120°
B=135°
C=225°
D=240°
E=270°

**IRRIGATION LEGEND**

SYMBOL	DESCRIPTION
●	LAWN SPRAY HEAD
□	CONTROLLER
△	REMOTE CONTROL VALVE
▲	QUICK COUPLING VALVE
—	MAINLINE PIPING
- - -	LATERAL PIPING
⊞	DOUBLE CHECK ASSEMBLY
⊞	METER, TAP & SERVICE



**SYSTEMS DESIGN DEPARTMENT**  
**IARRI \* TECH** Corporation  
 IRRIGATION TECHNOLOGY, 12650 Schuster, Dallas, Texas 75231 (214) 231-0101

**IRRIGATION PLAN**

GRAND ADDISON II  
 Town of Addison, Dallas County, Texas

TIPTON ENGINEERING, INC.  
 6330 Belt Line Rd. ~ Suite C ~ Garland, Texas 75043

DESIGN	DRAWN	DATE	SCALE	NOTES	FILE	NO.
T.E., Inc.	T.E., Inc.		1" = 20'		#3726	6

(12/09/92 • 3726(P1))

92011D