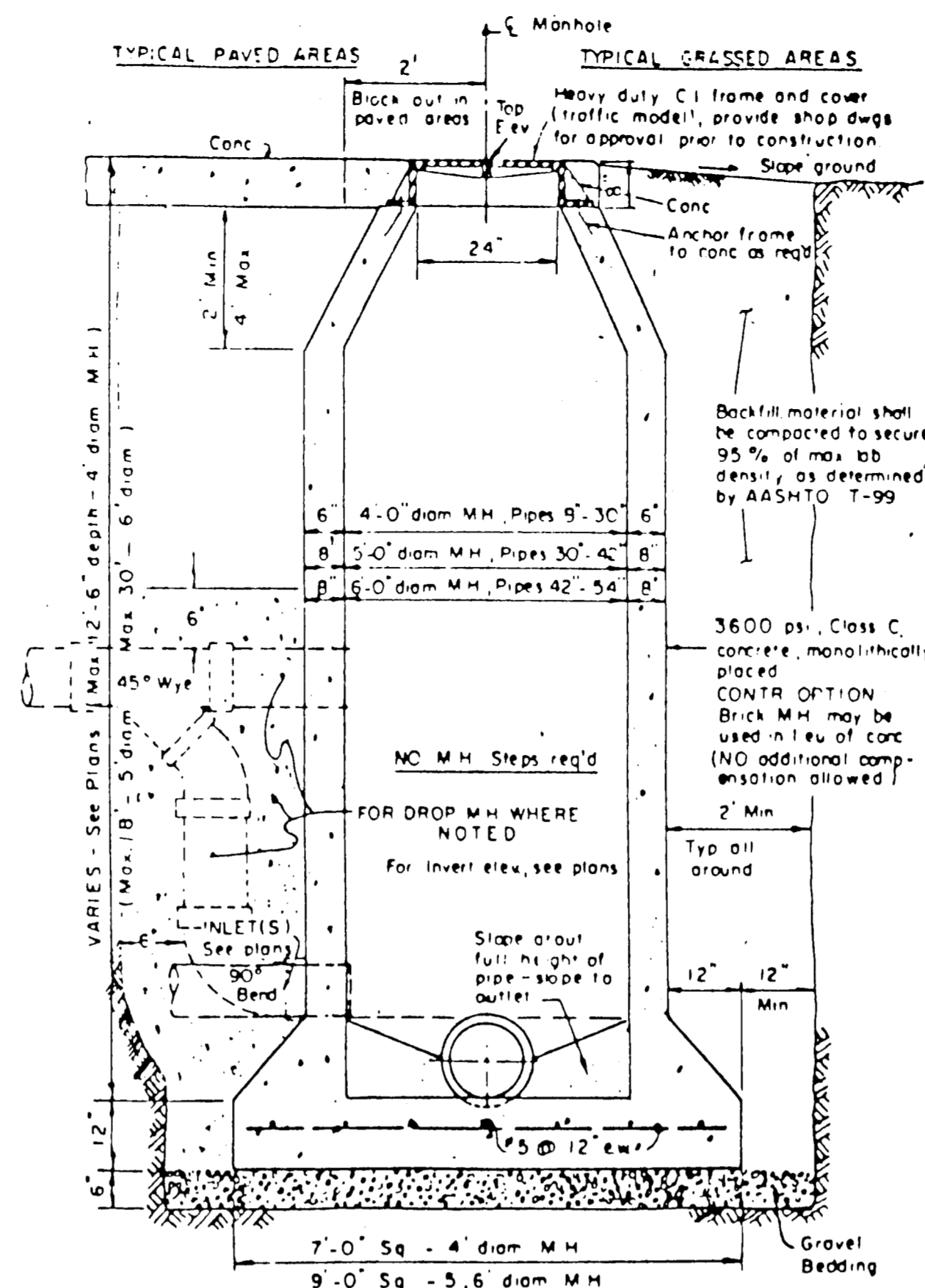
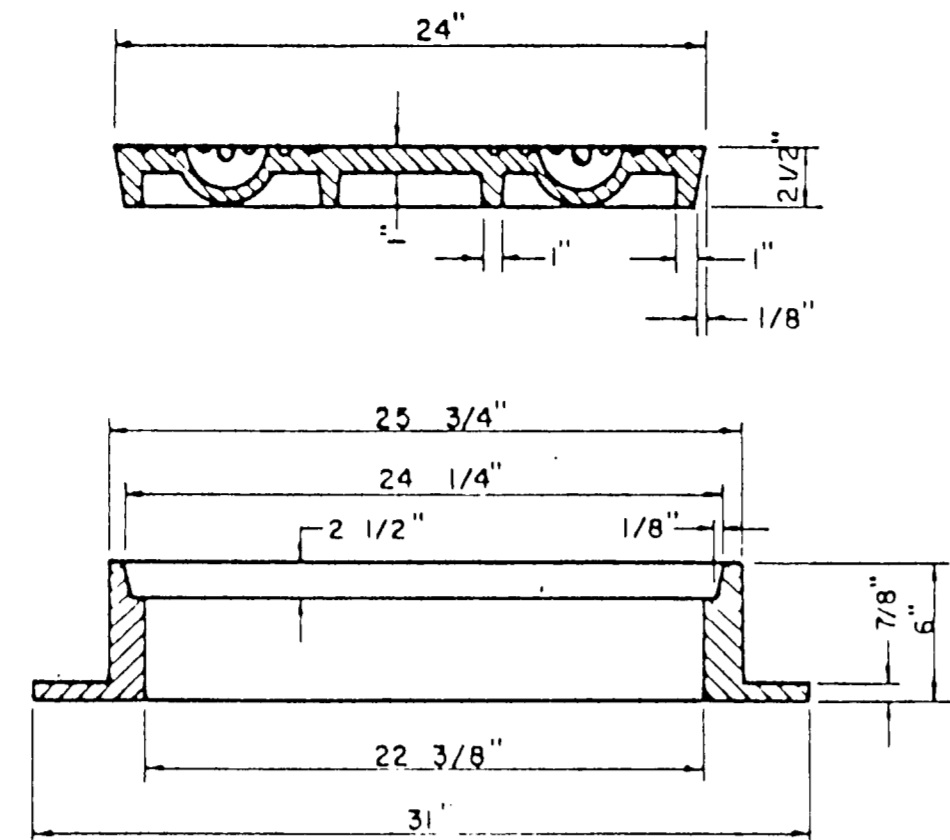


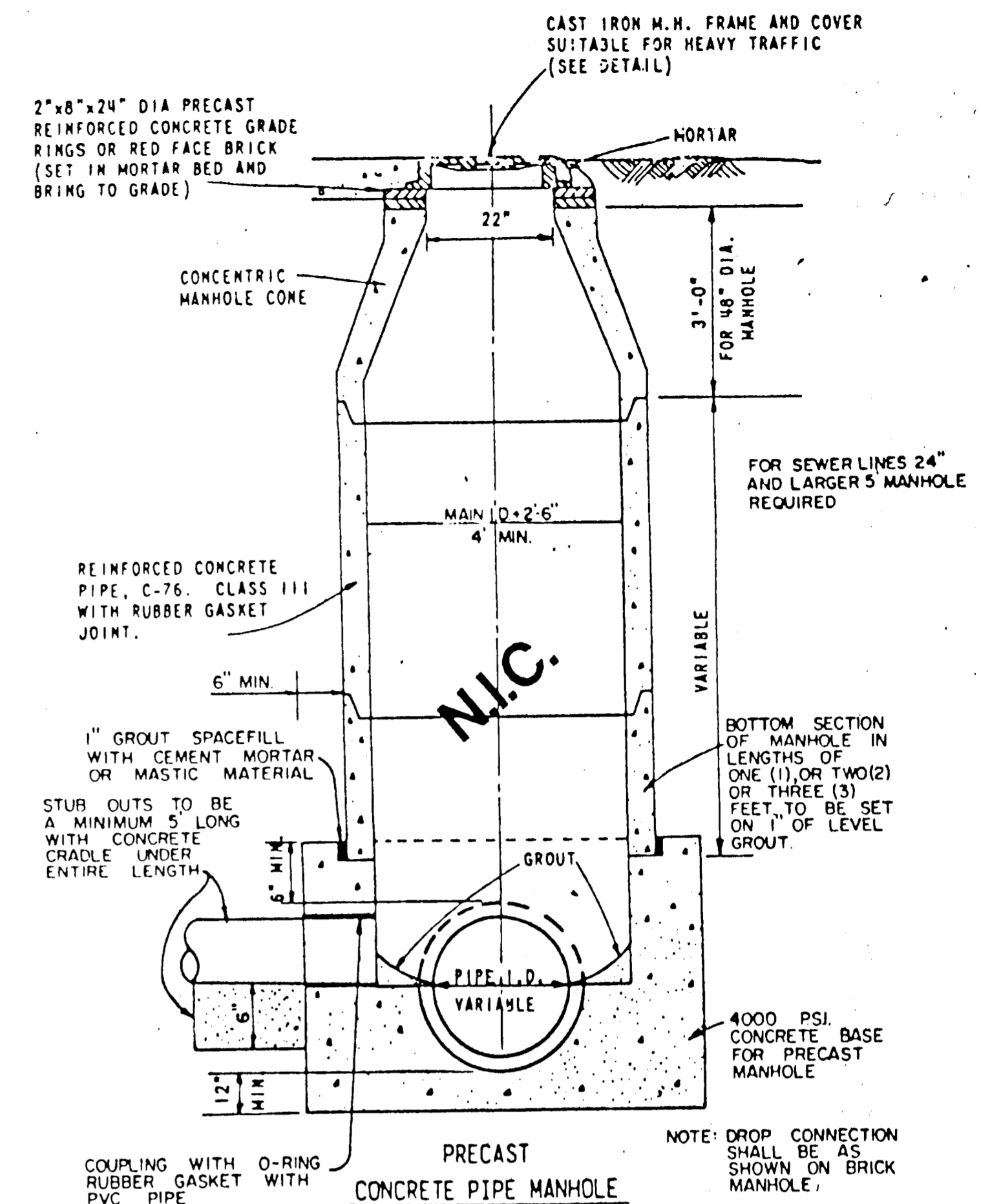
APPROX.
WEIGHT
RING AND COVER
385 LBS.

CAST IRON GRATE AND FRAME DETAIL

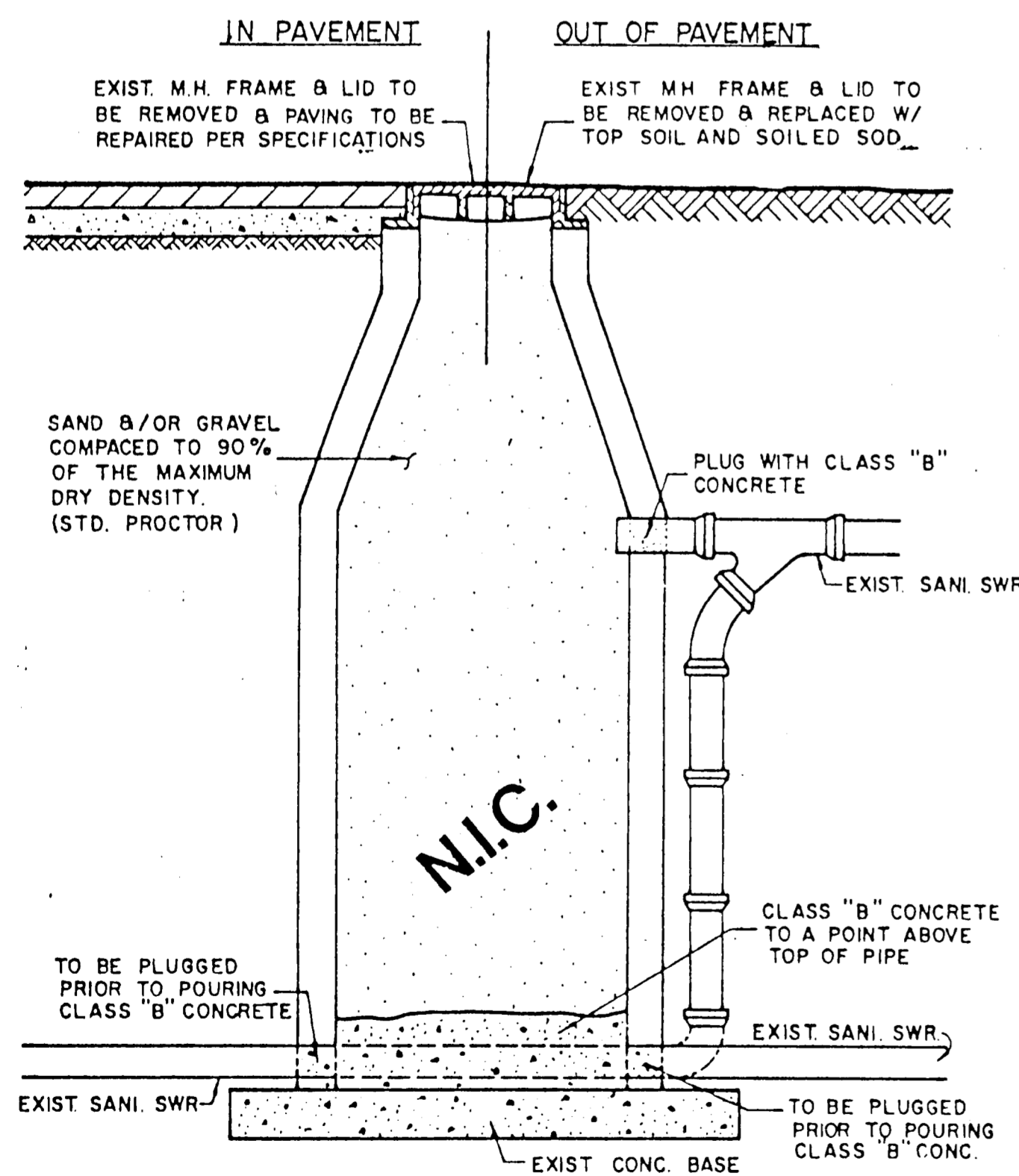


CAST IN PLACE MANHOLE

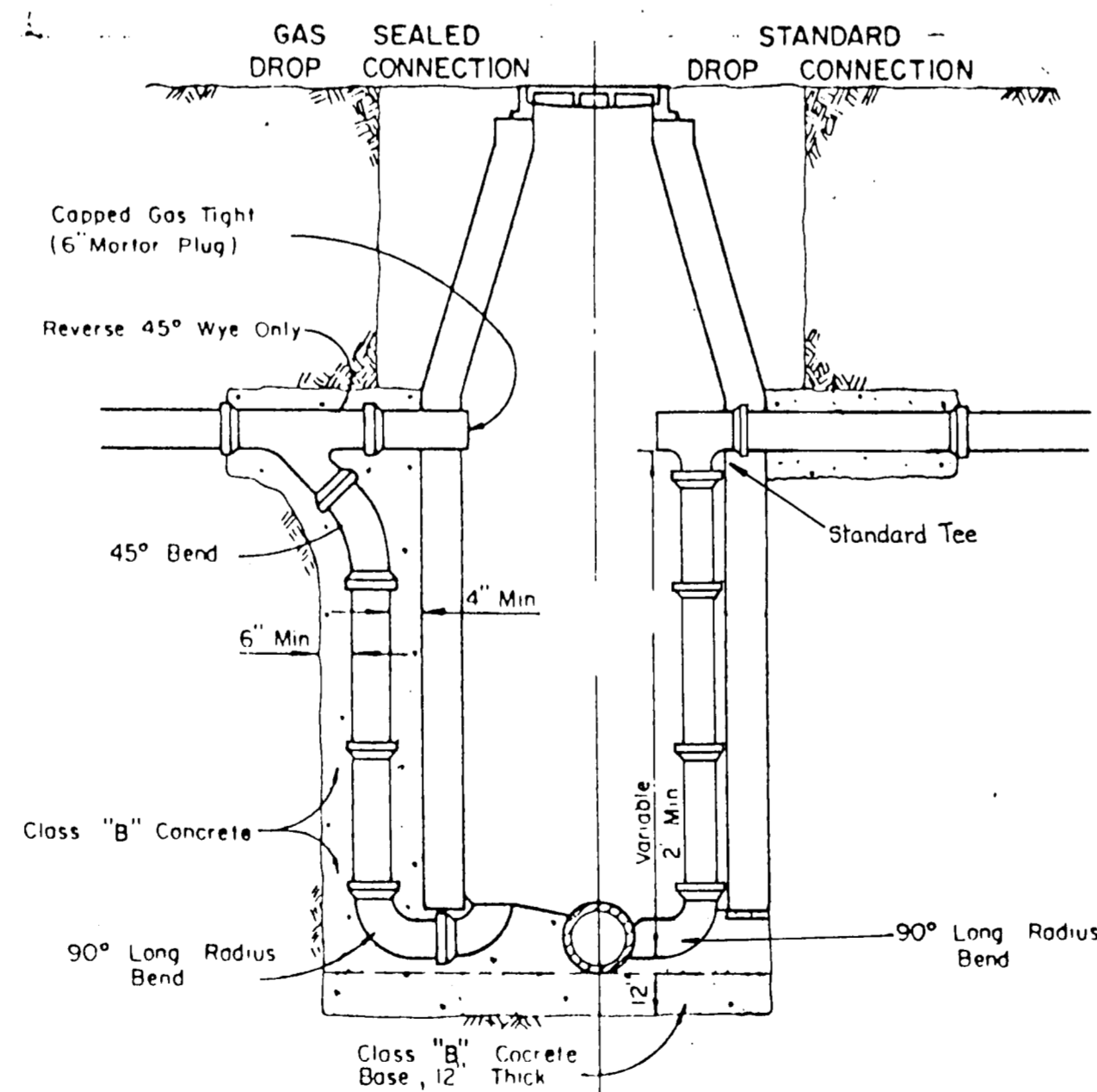
WHERE DROP M.H. IS REQUIRED, USE INSIDE DROP CONNECTION AS PER TOWN OF ADDISON STANDARDS.



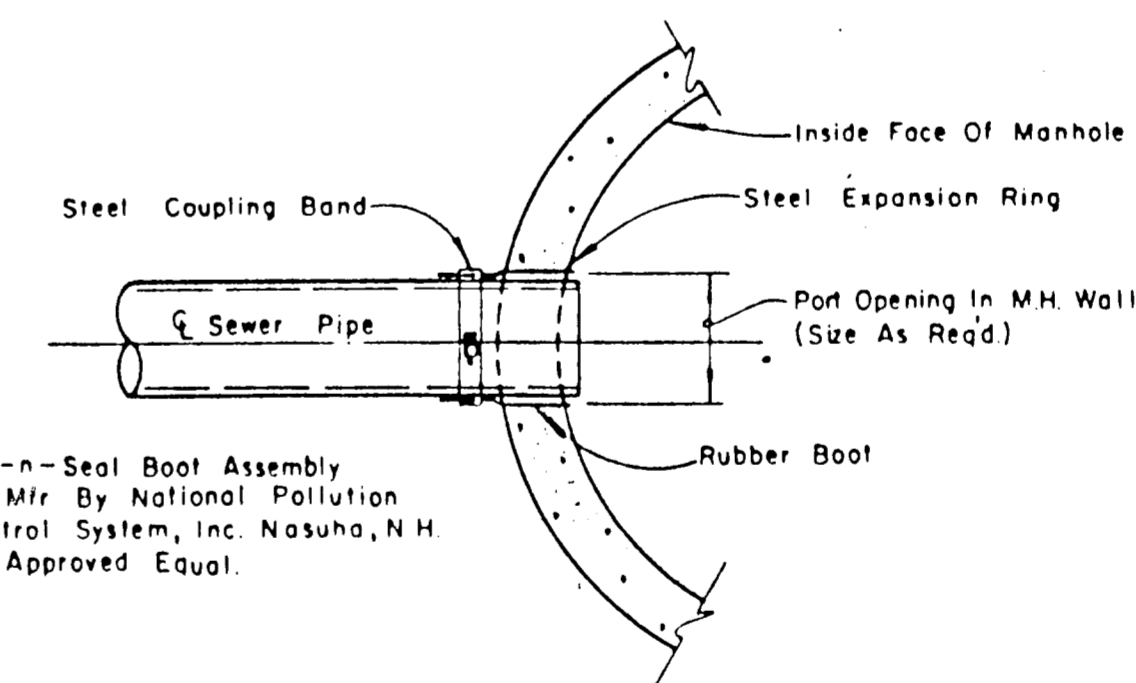
PRECAST MANHOLE



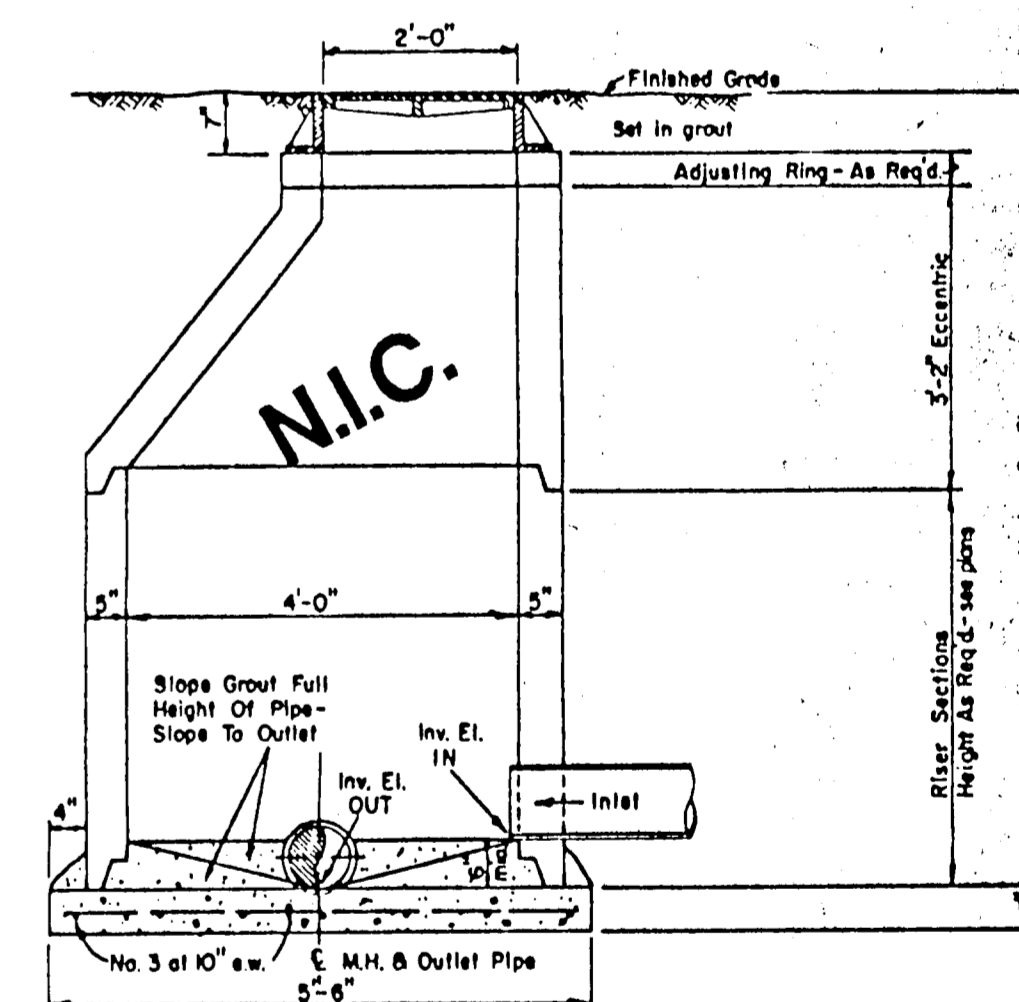
ABANDONMENT OF EXISTING MANHOLE IN AND OUT OF PAVEMENT



DROP CONNECTIONS FOR SANITARY SEWER MANHOLES



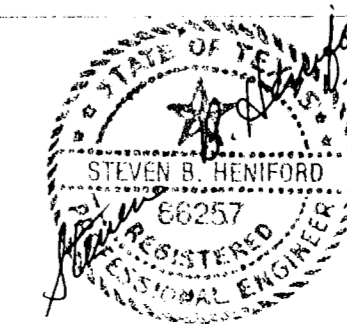
TYPICAL SEWER CONNECTION AT MANHOLE



ECCENTRIC MANHOLE DETAIL

NOTE:
Contractor To Install Kor-n-Seal Boot Assembly Per Mfr Recommendations In A Neat And Workman-Like Manner

CLASS B Conc. - 2000psi at 28 days (Compressive)



TOWN OF ADDISON, TEXAS
DEPARTMENT OF ENGINEERING
STANDARD CONSTRUCTION DETAILS
SANITARY SEWER
MANHOLES AND CONNECTIONS

| | | | |
|------------|-----------|---------|-----------|
| Designed - | Drawn - | Date - | Job No. - |
| Approved - | Checked - | Scale - | Sheet 20 |