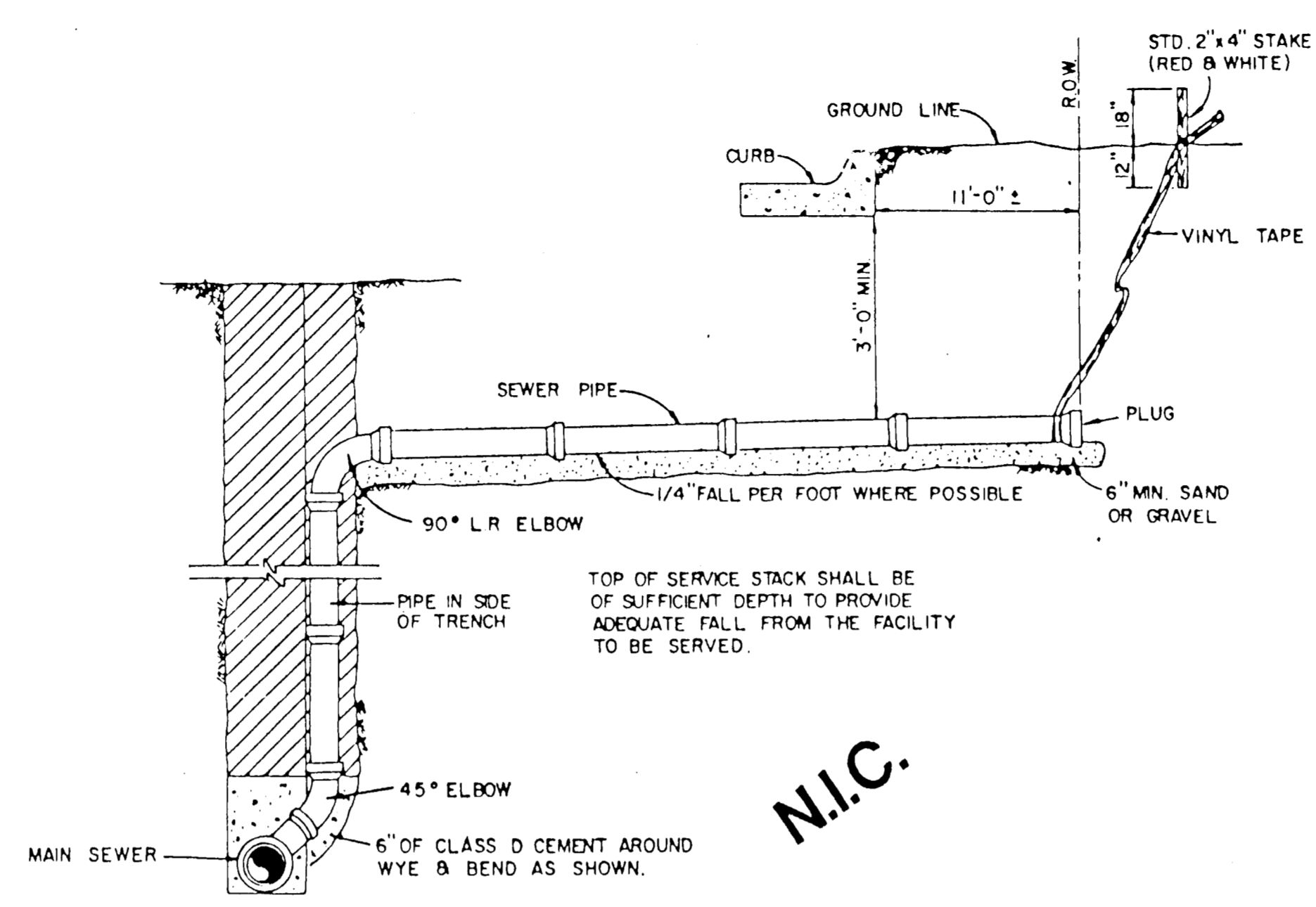
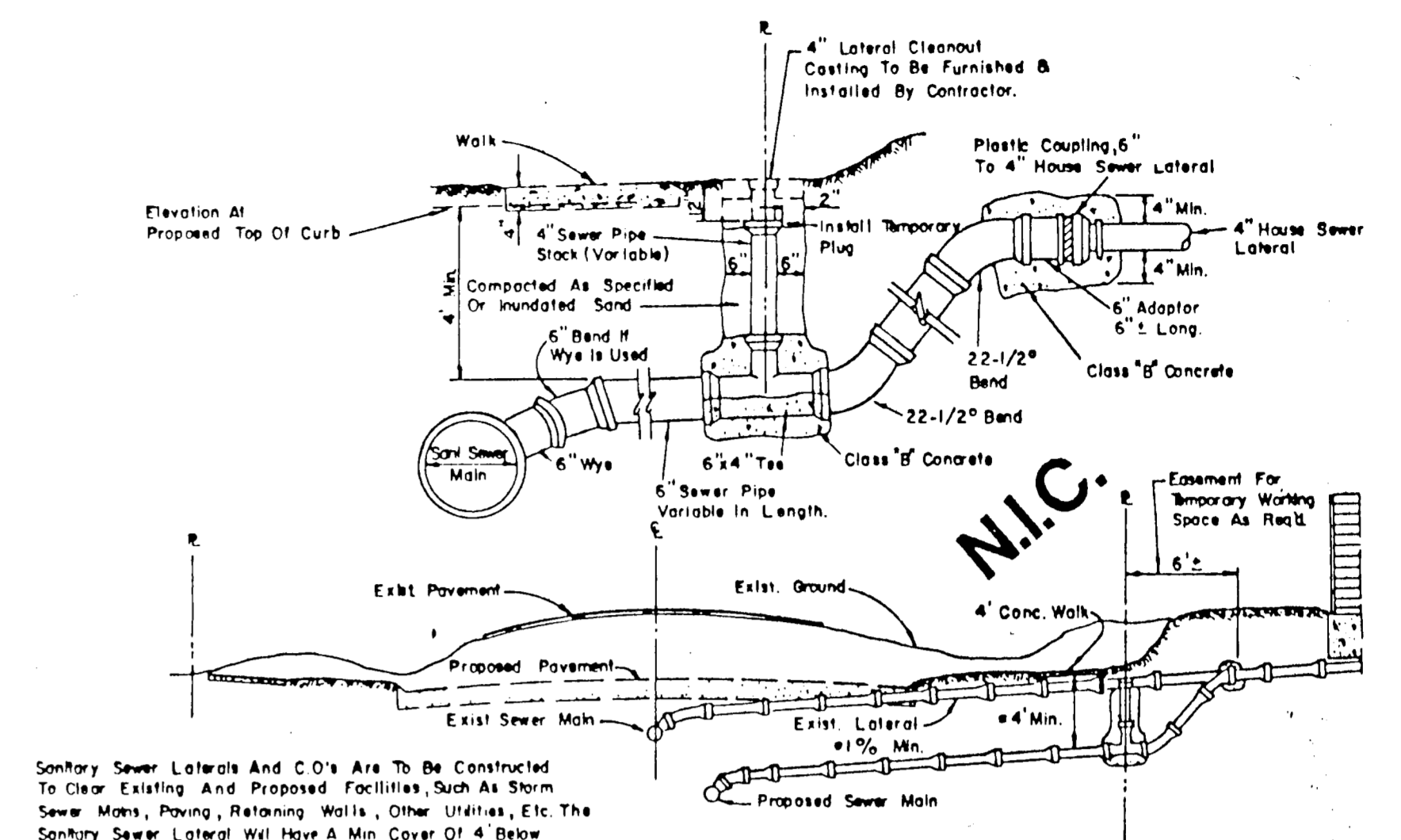


SANITARY SEWER SERVICE CONNECTION



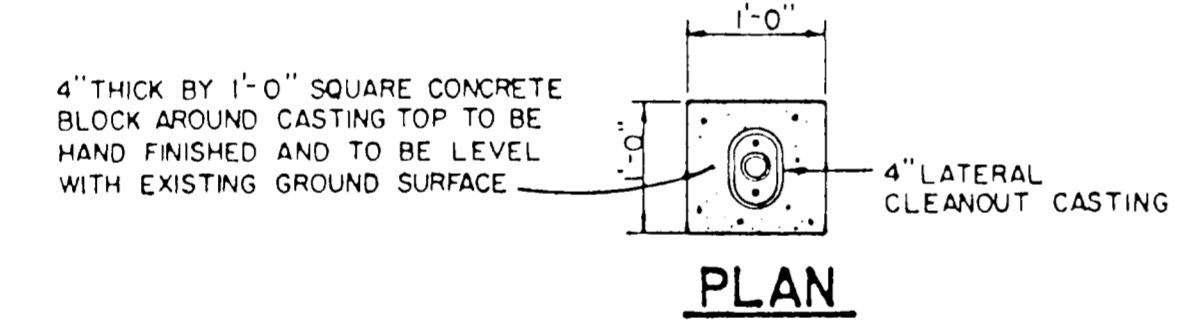
SANITARY SEWER DEEP SERVICE CONNECTION



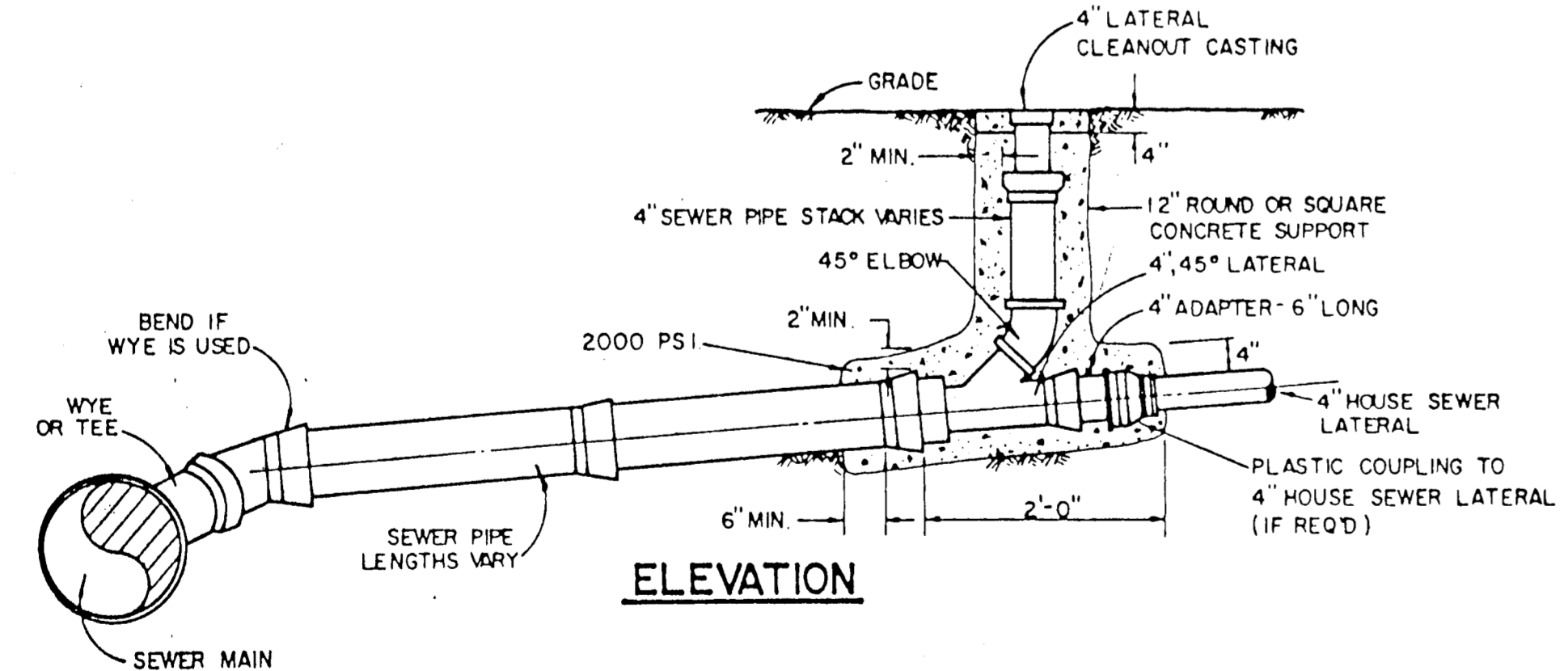
SANITARY SEWER LATERAL REPLACEMENT

Sanitary Sewer Laterals And C.O.'s Are To Be Constructed To Clear Existing And Proposed Facilities, Such As Storm Sewer Mains, Paving, Retaining Walls, Other Utilities, Etc. The Sanitary Sewer Lateral Will Have A Min Cover Of 4 Below The Proposed Curb Grade At The Property Line.

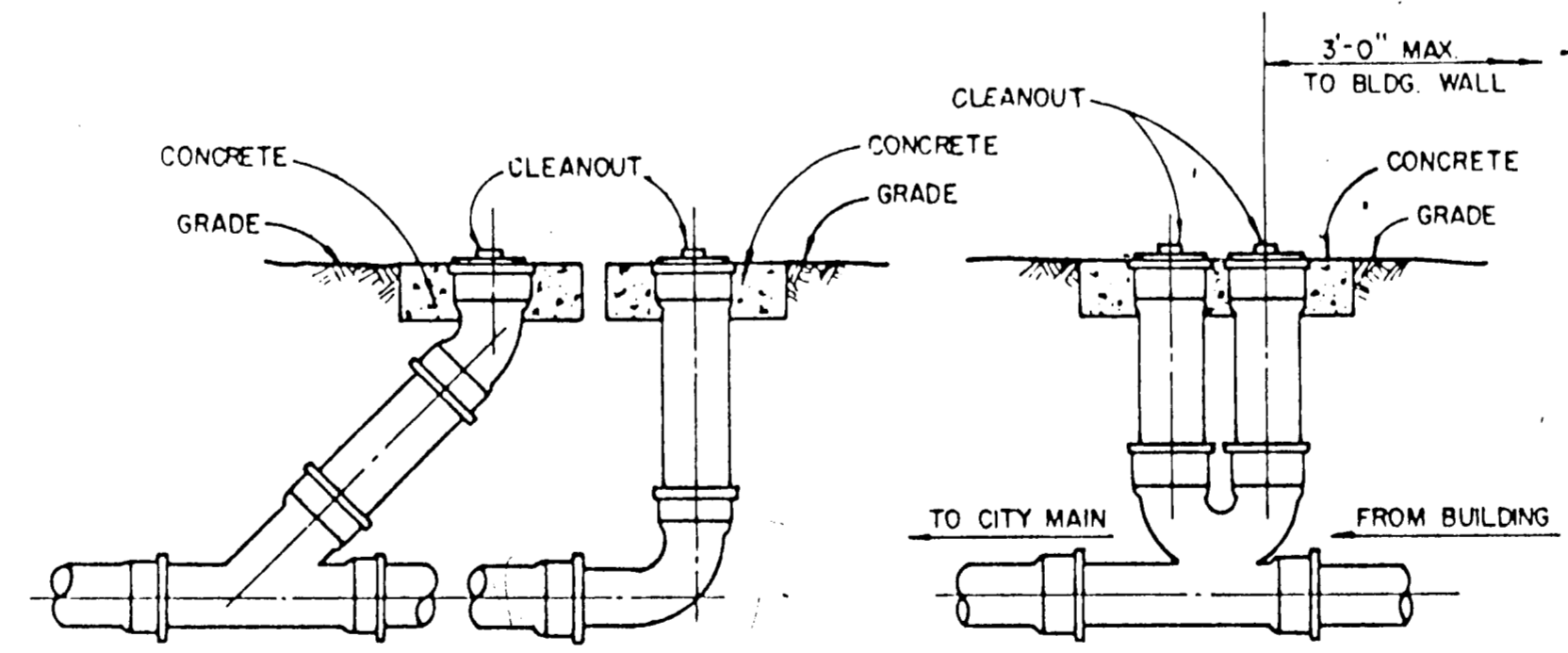
NOTE: Cleanout To Be Installed On Property Line Except As Required To Avoid Conflict With Existing Or Proposed Facilities In Which Case The Location Shall Be Determined By The Engineer.



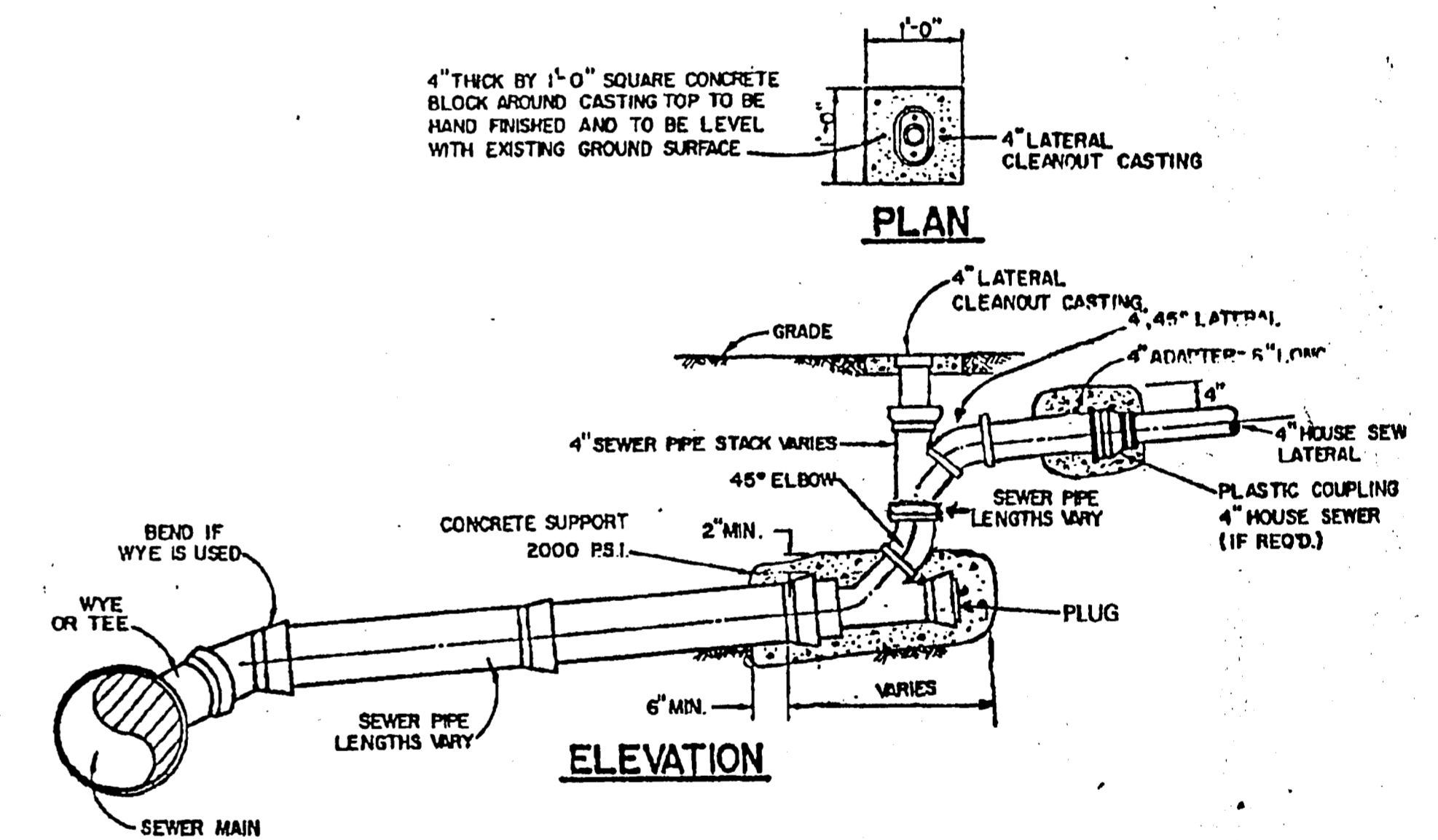
PLAN



ELEVATION



TYPICAL CLEANOUTS



ELEVATION

ALL PVC SANITARY SEWER PIPE TO BE SDR 35 WITH INTEGRAL BELL. IT SHALL BE THE RESPONSIBILITY OF THE CONTRACTOR TO FIELD LOCATE HORIZONTALLY EACH 4" SERVICE IN RELATION TO THE SANITARY SEWER STATIONING.

ALL PVC SANITARY SEWER PIPE TO BE SDR 35 WITH INTEGRAL BELL. IT SHALL BE THE RESPONSIBILITY OF THE CONTRACTOR TO FIELD LOCATE HORIZONTALLY EACH 4" SERVICE IN RELATION TO THE SANITARY SEWER STATIONING. FIELD TIES ARE TO BE INCLUDED AND RECORDED ON ALUMINIZED SANITARY SEWER TAPE. THIS TAPE, GREEN OR RED IN COLOR IS TO BE ATTACHED TO THE 4" SERVICE AT THE ROW LINE AND BROUGHT TO THE SURFACE TO BE USED AS A PERMANENT MARKER.



TOWN OF ADDISON, TEXAS			
DEPARTMENT OF ENGINEERING			
STANDARD CONSTRUCTION DETAILS			
SANITARY SEWER			
LATERALS AND CLEANOUTS			
Designed -	Drawn -	Date -	Job No. -
Approved -	Checked -	Scale -	Sheet 21