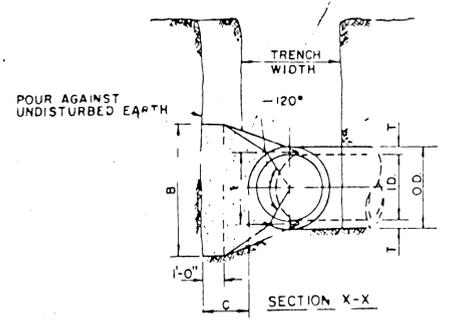


I.D. (IN.)	T (IN.)	C		E (FT.)
		11.25°	22.50°	
4.6, 8	0.4	1.5	1.5	0.8
10.12	0.5	1.5	1.5	1.2
16.18	0.6	1.5	1.5	1.6
20	0.7	1.5	1.5	1.8
24	0.9	1.5	1.5	2.1
30	2.9	1.5	1.9	2.6
36	4.5	1.5	2.3	3.5
42	5.0	1.8	2.6	3.8
48	5.5	2.0	3.0	4.3
54	6.0	2.3	3.4	4.8
60	6.5	2.5	3.8	5.3
66	6.8	2.8	4.1	5.7
72	7.5	3.0	4.5	6.3
78	7.5	3.3	4.9	6.7
84	8.0	3.5	5.3	7.2
90	8.5	3.8	5.6	7.7
96	9.0	4.0	6.0	8.2



I.D. (IN.)	G (FT.)	THRUST (TONS)	EARTH			ROCK			I.D. (IN.)	G (FT.)	THRUST (TONS)	EARTH			ROCK		
			A (FT.)	B (FT.)	VOL. (CY.)	A (FT.)	B (FT.)	VOL. (CY.)				A (FT.)	B (FT.)	VOL. (CY.)	A (FT.)	B (FT.)	VOL. (CY.)
4.6, 8	0.4	1.0	1.0	1.5	0.1	1.0	1.0	0.1	4.6, 8	0.8	2.0	1.5	1.5	0.1	1.0	1.0	0.1
10.12	0.6	2.2	1.5	1.5	0.1	1.0	1.5	0.1	10.12	1.1	4.4	2.0	2.5	0.3	1.5	1.5	0.1
16.18	0.8	5.0	2.0	2.5	0.3	1.5	2.0	0.2	16.18	1.6	9.9	3.0	3.5	0.4	2.0	2.5	0.3
20	0.9	6.2	2.0	3.5	0.4	1.5	3.0	0.3	20	1.8	12.3	3.5	3.5	0.7	2.0	3.5	0.4
24	1.1	8.9	3.0	3.0	0.5	1.5	3.0	0.3	24	2.2	17.7	4.0	4.5	1.0	3.0	3.0	0.5
30	1.4	10.4	3.0	3.5	0.6	2.0	3.5	0.4	30	2.7	20.7	5.0	4.5	1.5	3.0	4.0	0.8
36	1.7	15.0	3.5	4.5	0.9	2.0	4.0	0.5	36	3.3	29.8	5.5	5.5	2.3	4.0	4.0	1.3
42	1.9	20.4	4.5	5.0	1.5	2.5	5.0	0.8	42	3.8	40.5	7.0	6.0	3.9	4.5	5.0	2.1
48	2.2	26.6	4.5	6.0	2.0	2.5	6.0	1.1	48	4.4	52.9	8.0	7.0	5.7	4.8	6.0	2.8
54	2.5	33.7	6.0	6.0	3.0	3.0	6.0	1.4	54	4.9	67.0	9.0	8.0	8.0	6.0	6.0	4.1
60	2.7	41.6	6.0	7.0	3.8	3.0	7.0	1.8	60	5.5	82.7	9.5	9.0	10.6	6.0	7.0	5.3
66	3.0	50.3	6.0	8.0	5.1	3.5	8.0	2.7	66	6.0	100.1	10.5	10.0	14.1	6.5	8.0	7.2
72	3.3	59.9	7.5	8.0	6.3	4.0	8.0	3.7	72	6.4	119.1	11.0	11.0	17.6	7.5	8.0	9.1
78	3.6	70.2	8.0	9.0	8.1	4.0	9.0	3.9	78	7.1	139.8	12.0	12.0	22.5	8.0	9.0	11.7
84	3.8	81.5	8.5	10.0	10.3	4.5	10.0	5.3	84	7.6	162.1	13.0	12.5	27.2	8.5	10.0	14.8
90	4.1	93.5	9.5	10.0	12.2	5.0	10.0	6.3	90	8.2	186.1	14.0	13.5	33.7	9.5	10.0	17.7
96	4.4	106.4	10.0	11.0	15.0	5.0	11.0	7.4	96	8.7	211.7	15.0	14.5	41.2	10.0	11.0	21.8

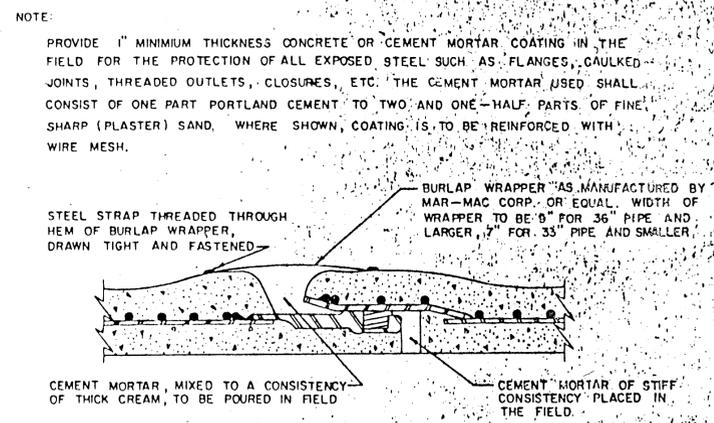
HORIZONTAL BEND THRUST BLOCK

I.D. (IN.)	T (IN.)	A = 30°			A = 45°			I.D. (IN.)	T (IN.)	A = 60°			A = 90°				
		THRUST (TONS)	A (FT.)	B (FT.)	THRUST (TONS)	A (FT.)	B (FT.)			THRUST (TONS)	A (FT.)	B (FT.)	THRUST (TONS)	A (FT.)	B (FT.)		
4.6, 8	1.0	2.6	2.0	1.5	0.2	1.0	1.8	0.1	4.6, 8	1.5	3.9	2.0	2.0	0.2	1.5	1.5	0.1
10.12	1.5	5.9	2.5	2.5	0.3	2.0	1.8	0.2	10.12	2.2	8.7	3.5	2.5	0.5	2.0	2.5	0.3
16.18	2.2	13.2	3.5	4.0	0.8	2.5	3.0	0.8	16.18	3.2	19.5	4.5	4.5	1.2	3.0	3.5	0.6
20	2.4	16.3	4.5	4.0	1.0	3.0	3.0	0.5	20	3.6	24.1	5.5	4.5	1.5	3.5	3.5	0.7
24	2.9	23.4	6.0	4.0	1.4	3.5	3.5	0.7	24	4.3	34.6	8.0	4.5	2.3	4.5	4.0	1.1
30	3.6	27.5	5.5	5.0	1.9	3.5	4.0	0.9	30	5.4	40.8	8.5	5.0	3.2	5.0	4.0	1.6
36	4.4	39.5	7.0	6.0	3.4	4.5	4.5	1.4	36	6.5	58.5	10.0	6.0	5.3	6.5	4.5	2.4
42	5.1	53.8	8.0	7.0	5.1	5.5	5.0	2.5	42	7.5	79.6	11.5	7.0	8.1	8.0	5.0	4.2
48	5.8	70.3	9.0	8.0	7.4	6.0	6.0	3.7	48	8.6	104.0	13.0	8.0	11.9	9.0	6.0	6.3
54	6.5	89.0	10.0	9.0	10.3	7.0	6.5	5.3	54	9.7	131.8	15.0	9.0	17.1	10.5	6.5	8.9
60	7.3	110.0	11.0	10.0	13.9	7.5	7.5	7.3	60	10.7	162.4	16.5	10.0	23.1	11.0	7.5	12.0
66	8.0	132.9	12.5	11.0	18.9	8.5	8.0	9.4	66	11.8	194.5	18.0	11.0	30.1	12.0	8.5	16.2
72	8.7	158.2	13.5	12.0	24.0	9.0	9.0	12.3	72	12.9	233.9	19.5	12.0	38.8	14.0	8.5	20.7
78	9.4	185.6	14.5	13.0	30.0	10.0	9.5	15.4	78	13.9	274.5	21.5	13.0	49.8	14.5	9.5	25.9
84	10.1	215.3	15.5	14.0	37.1	10.5	10.5	19.5	84	15.0	318.4	23.0	14.0	61.2	15.5	10.5	32.6
90	10.9	247.1	16.5	15.0	45.0	11.5	11.0	23.9	90	16.1	365.3	24.5	15.0	74.5	17.5	10.5	39.6
96	11.6	281.2	18.0	16.0	55.5	12.5	11.5	28.9	96	17.1	415.6	26.0	16.0	89.5	18.5	11.5	48.5

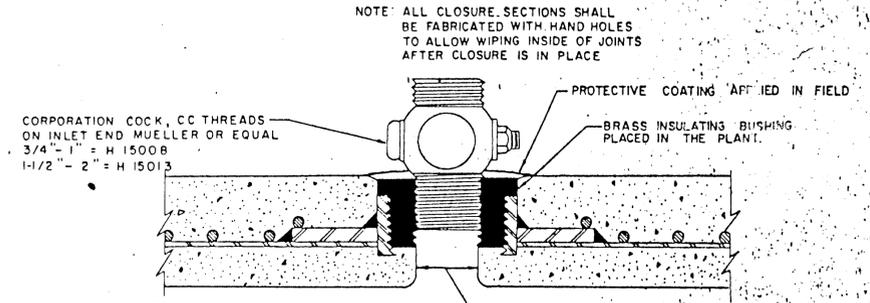
I.D. (IN.)	G (FT.)	THRUST (TONS)	A = 11.25°			A = 22.50°			I.D. (IN.)	G (FT.)	THRUST (TONS)	A = 37.50°			A = 90°		
			A (FT.)	B (FT.)	VOL. (CY.)	A (FT.)	B (FT.)	VOL. (CY.)				A (FT.)	B (FT.)	VOL. (CY.)	A (FT.)	B (FT.)	VOL. (CY.)
4.6, 8	0.4	1.0	1.0	1.5	0.1	1.0	1.0	0.1	4.6, 8	0.8	2.0	1.5	1.5	0.1	1.0	1.0	0.1
10.12	0.6	2.2	1.5	1.5	0.1	1.0	1.5	0.1	10.12	1.1	4.4	2.0	2.5	0.3	1.5	1.5	0.1
16.18	0.8	5.0	2.0	2.5	0.3	1.5	2.0	0.2	16.18	1.6	9.9	3.0	3.5	0.4	2.0	2.5	0.3
20	0.9	6.2	2.0	3.5	0.4	1.5	3.0	0.3	20	1.8	12.3	3.5	3.5	0.7	2.0	3.5	0.4
24	1.1	8.9	3.0	3.0	0.5	1.5	3.0	0.3	24	2.2	17.7	4.0	4.5	1.0	3.0	3.0	0.5
30	1.4	10.4	3.0	3.5	0.6	2.0	3.5	0.4	30	2.7	20.7	5.0	4.5	1.5	3.0	4.0	0.8
36	1.7	15.0	3.5	4.5	0.9	2.0	4.0	0.5	36	3.3	29.8	5.5	5.5	2.3	4.0	4.0	1.3
42	1.9	20.4	4.5	5.0	1.5	2.5	5.0	0.8	42	3.8	40.5	7.0	6.0	3.9	4.5	5.0	2.1
48	2.2	26.6	4.5	6.0	2.0	2.5	6.0	1.1	48	4.4	52.9	8.0	7.0	5.7	4.8	6.0	2.8
54	2.5	33.7	6.0	6.0	3.0	3.0	6.0	1.4	54	4.9	67.0	9.0	8.0	8.0	6.0	6.0	4.1
60	2.7	41.6	6.0	7.0	3.8	3.0	7.0	1.8	60	5.5	82.7	9.5	9.0	10.6	6.0	7.0	5.3
66	3.0	50.3	6.0	8.0	5.1	3.5	8.0	2.7	66	6.0	100.1	10.5	10.0	14.1	6.5	8.0	7.2
72	3.3	59.9	7.5	8.0	6.3	4.0	8.0	3.7	72	6.4	119.1	11.0	11.0	17.6	7.5	8.0	9.1
78	3.6	70.2	8.0	9.0	8.1	4.0	9.0	3.9	78	7.1	139.8	12.0	12.0	22.5	8.0	9.0	11.7
84	3.8	81.5	8.5	10.0	10.3	4.5	10.0	5.3	84	7.6	162.1	13.0	12.5	27.2	8.5	10.0	14.8
90	4.1	93.5	9.5	10.0	12.2	5.0	10.0	6.3	90	8.2	186.1	14.0	13.5	33.7	9.5	10.0	17.7
96	4.4	106.4	10.0	11.0	15.0	5.0	11.0	7.4	96	8.7	211.7	15.0	14.5	41.2	10.0	11.0	21.8

HORIZONTAL BEND THRUST BLOCK

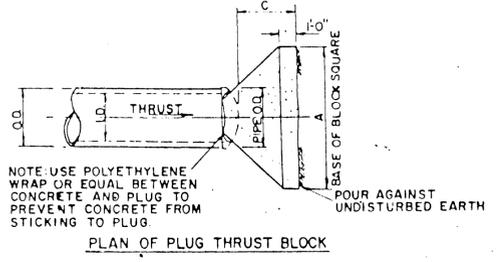
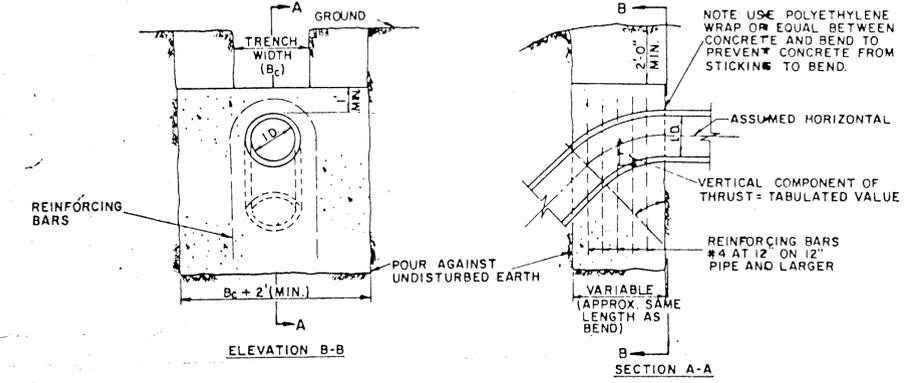
HORIZONTAL BEND THRUST BLOCK



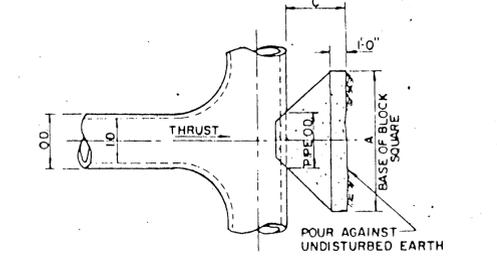
STANDARD RUBBER GASKET JOINT



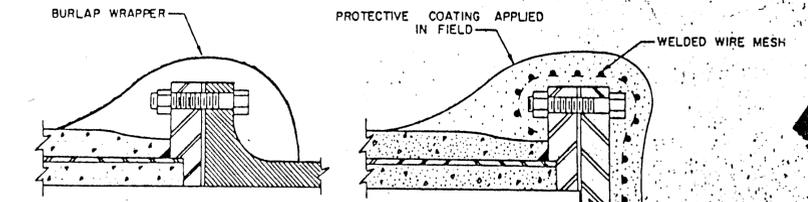
THREADED CONNECTION



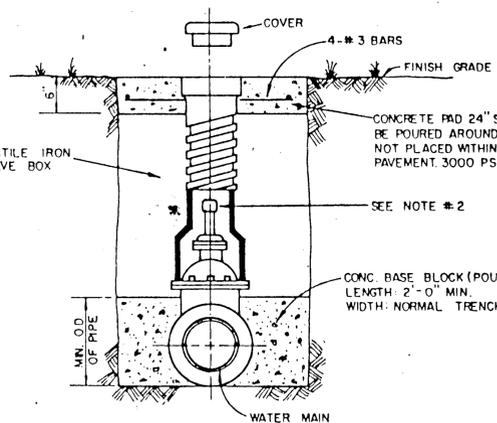
PLAN OF PLUG THRUST BLOCK



PLAN OF TEE THRUST BLOCK



FLANGED CONNECTIONS



REINFORCED CONCRETE CYLINDER PIPE DETAILS

I.D. (IN.)	THRUST (TONS)	11.25°		22.50°		30°		45°		67.50°		90°		I.D. (IN.)
		VOL. (CY.)	THRUST (TONS)	VOL. (CY.)	THRUST (TONS)	VOL. (CY.)	THRUST (TONS)	VOL. (CY.)	THRUST (TONS)	VOL. (CY.)	THRUST (TONS)	VOL. (CY.)		
4.6, 8	1.0	0.5	2.0	1.0	2.5	1.3	3.6	1.8	4.6	2.3	5.0	2.5	4.6, 8	
10.12	2.2	1.1	4.3	2.2	5.7	2.8	8.0	4.0	10.3	5.2	11.3	5.7	10.12	
16.18	5.0	2.5	9.7	4.9	12.7	6.4	18.0	9.0	23.5	11.8	23.5	12.7	16.18	
20	6.2	3.1	12.0	6.0	15.7	7.9	22.2	11.1	29.2	14.5	31.4	15.7	20	
24	8.2	4.4	17.3	8.7	22.6	11.3	32.0	16.0	41.8	20.9	45.2	22.6	24	
30	10.5	5.2	20.3	10.1	26.5	13.3	37.5	18.8	49.0	24.5	53.1	26.5	30	
36	14.9	7.5	29.2	14.6	38.2	19.1	54.0	27.0	70.5	35.3	76.4	38.2	36	
42	20.3	10.1	39.8	19.9	52.0	26.0	73.5	36.7	96.0	48.0	104.0	52.0	42	
48	26.5	13.2	51.9	26.0	67.9	33.9	96.0	48.0	126.0	62.7	136.0	67.9	48	
54	33.5	16.8	65.7	32.9	85.9	42.9	122.0	60.7	159.0	79.4	172.0	85.9	54	
60	41.4	20.7	81.2	40.6	106.0	53.0	150.0	75.0	196.0	98.0	212.0	106.		