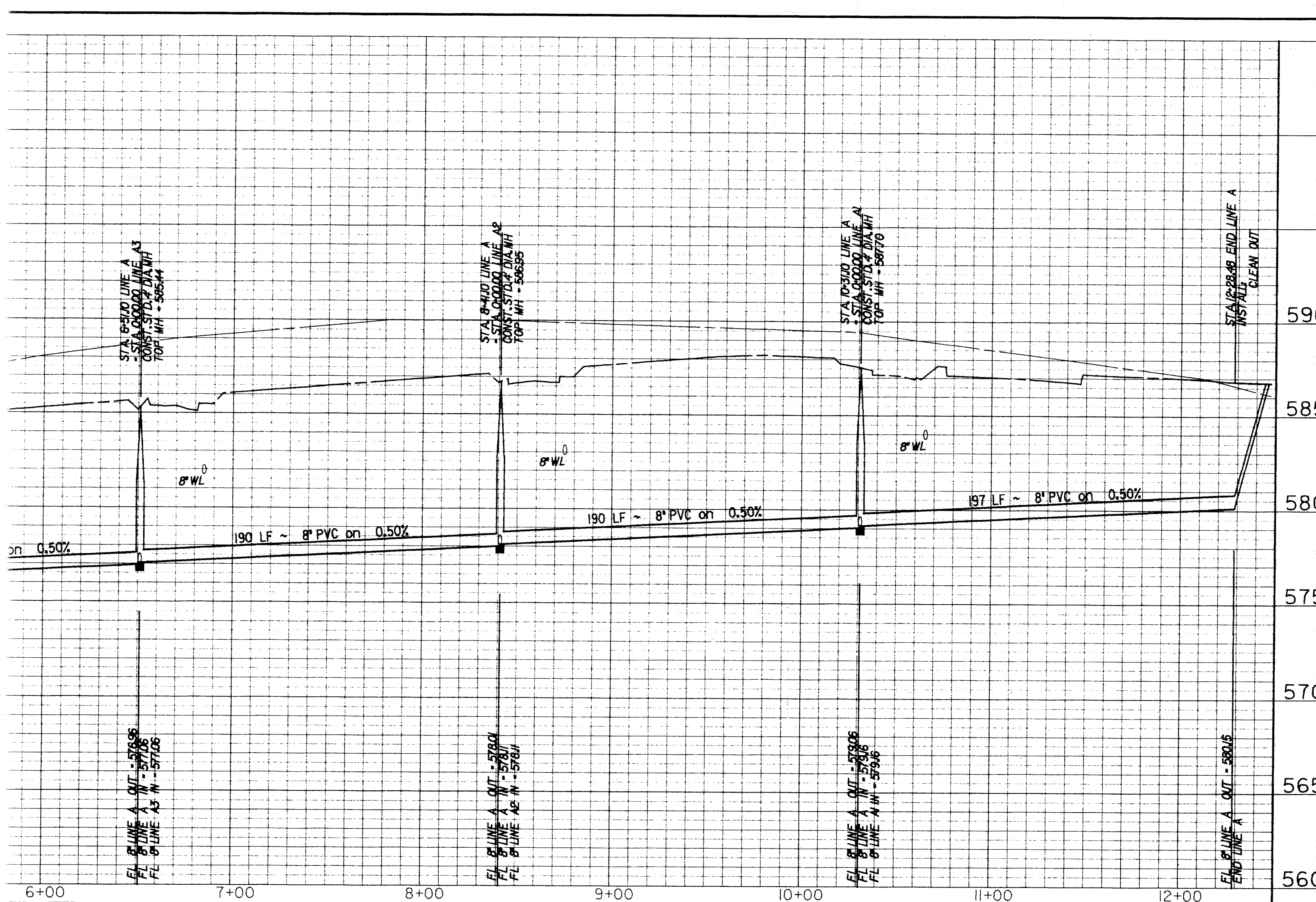
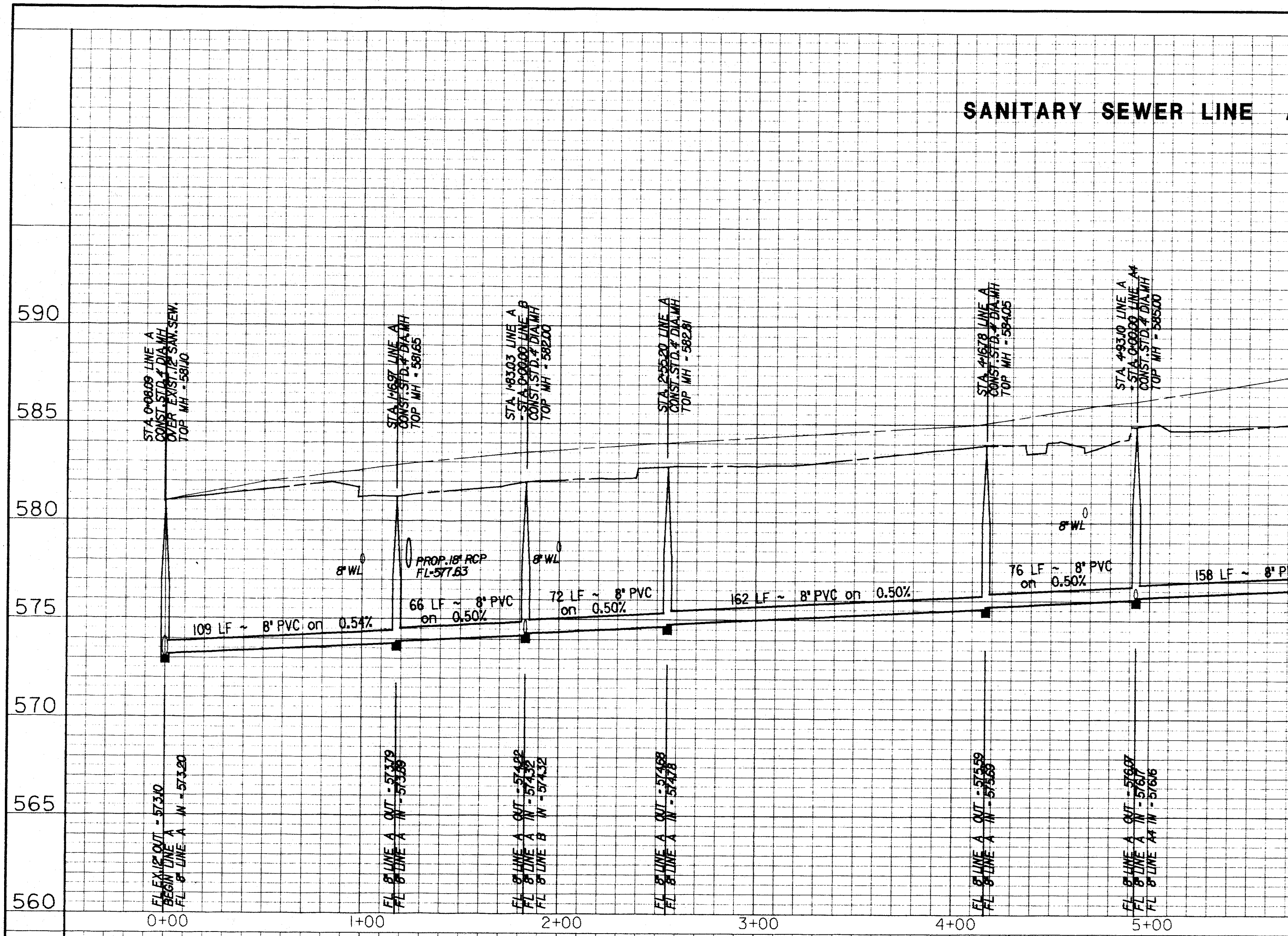
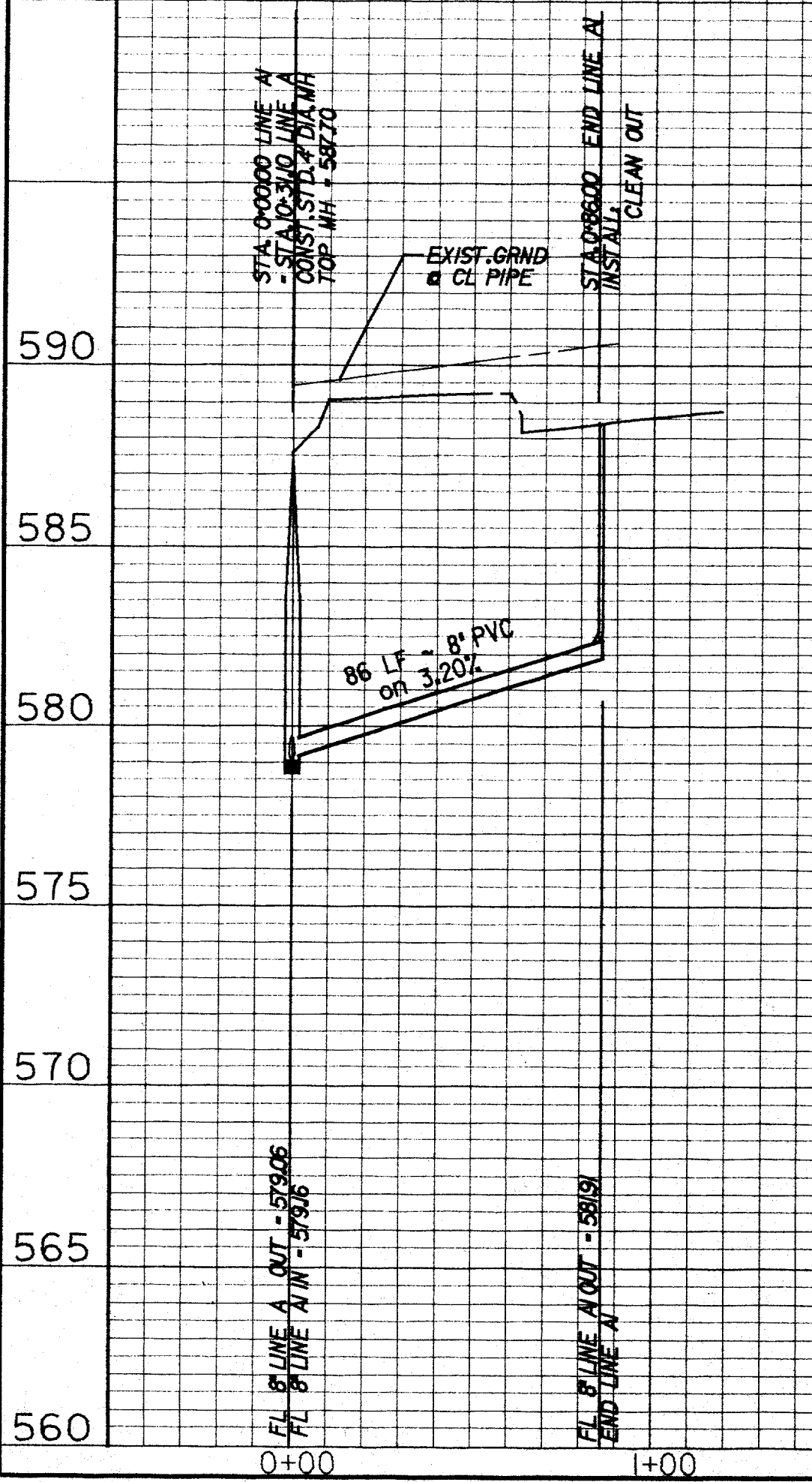


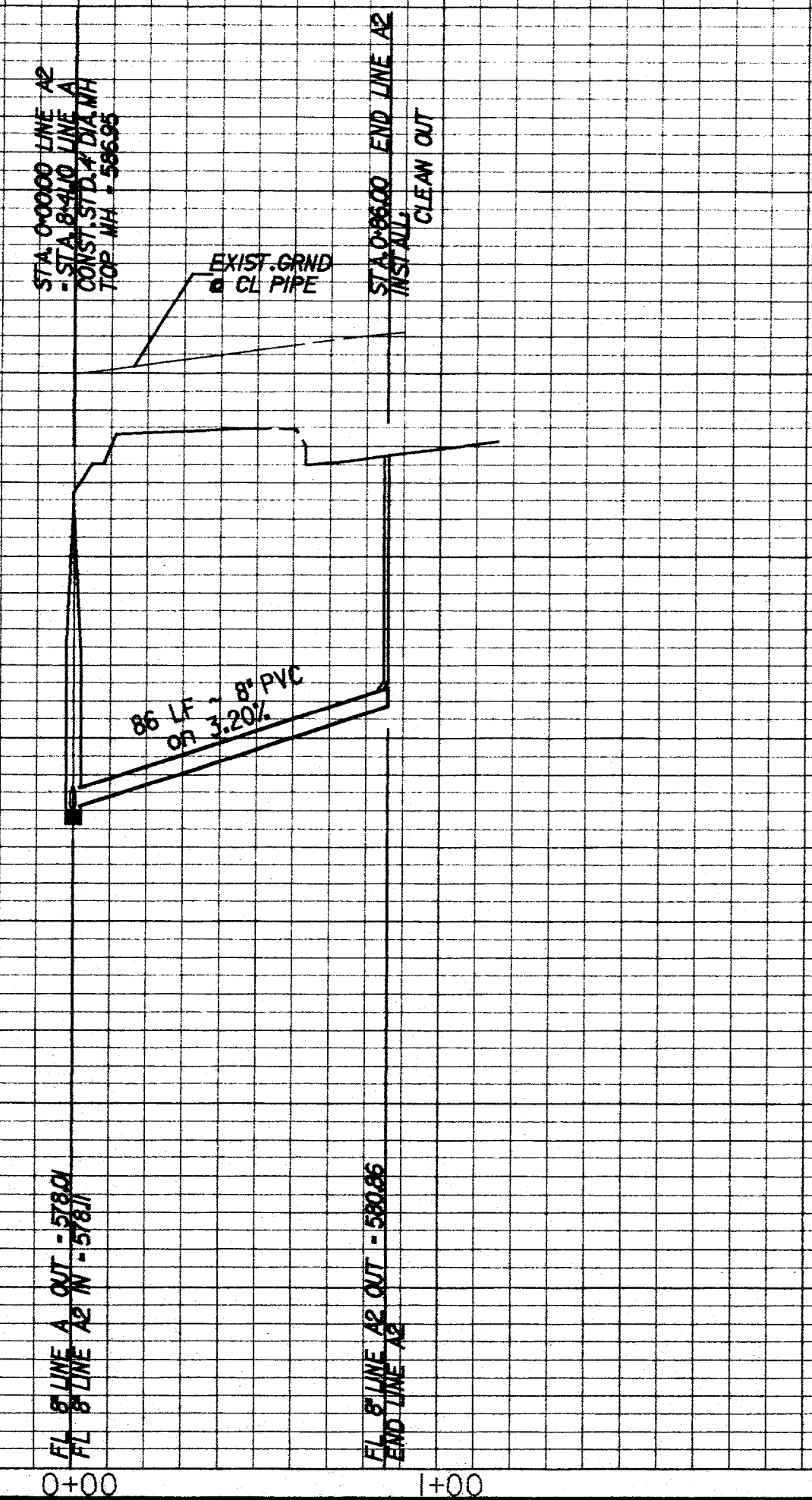
SANITARY SEWER LINE A



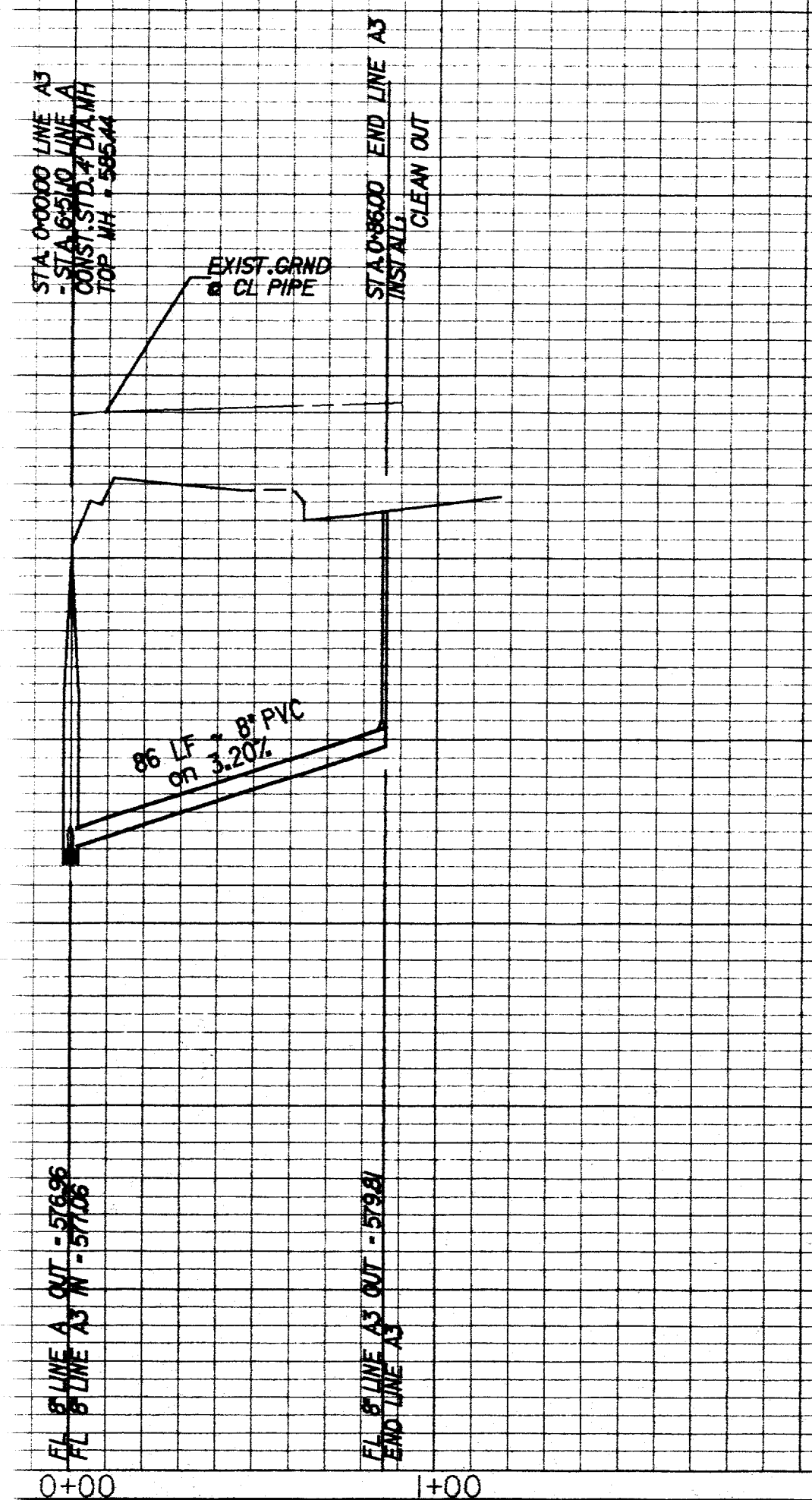
SANITARY SEWER LINE A1



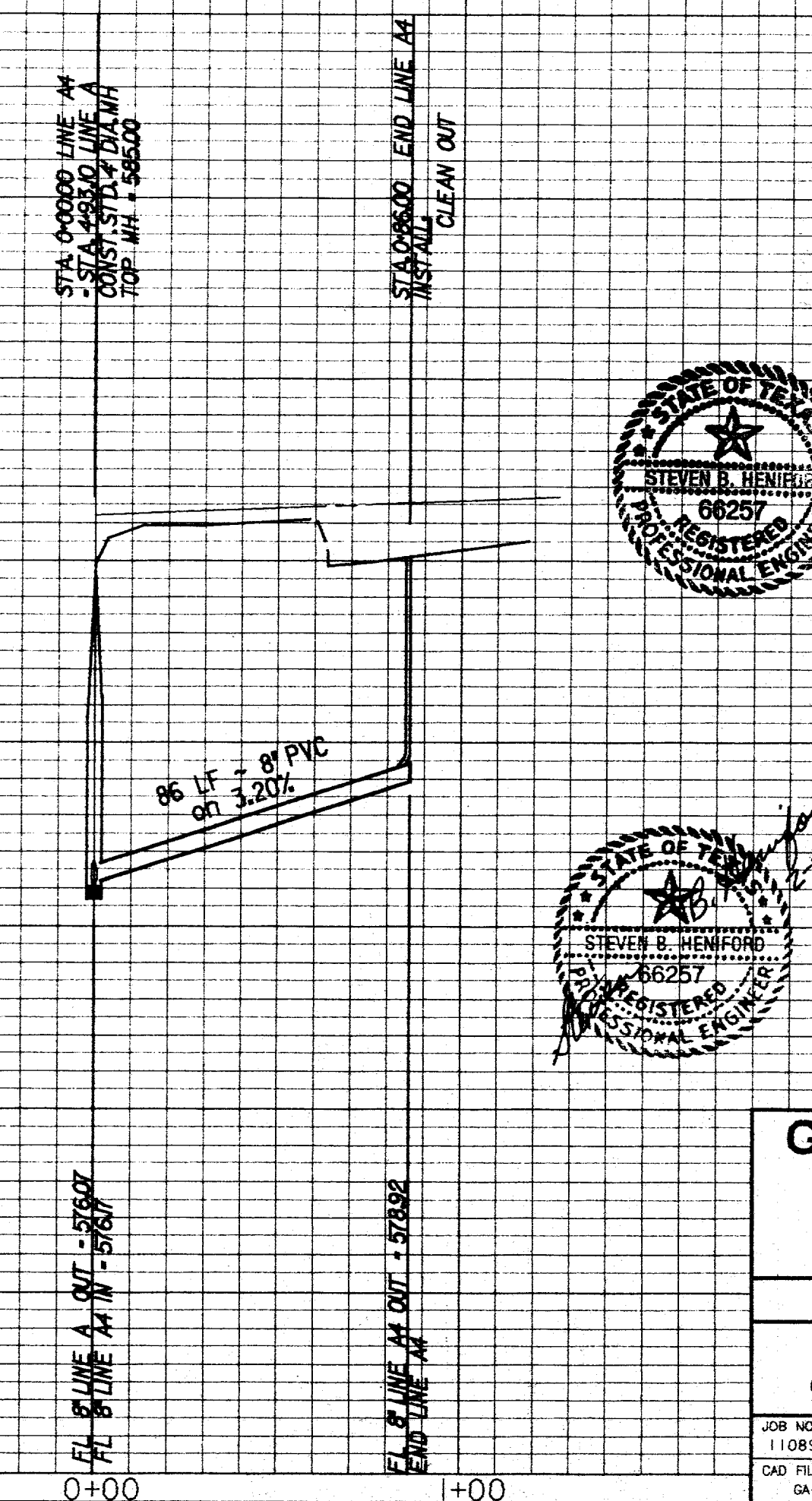
SANITARY SEWER LINE A2



SANITARY SEWER LINE A3



SANITARY SEWER LINE A4

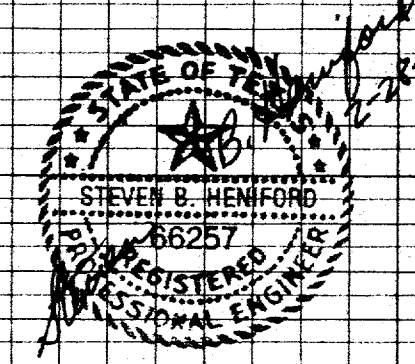
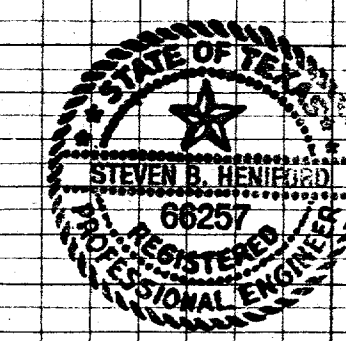


THIS CONSTRUCTION IS INTENDED TO MEET THE TOWN OF ADDISON STANDARDS AND FUNCTION AS DESIGNED.

CORD DRAWING

I CERTIFY THAT THIS DRAWING REFLECTS THE IMPROVEMENTS CONSTRUCTED AS TO SIZE, LOCATION, AND GRADE AND THAT THE CONSTRUCTION WAS IN FULL COMPLIANCE WITH THE CONTRACT DOCUMENTS.

BY *Steven B. Henfield* DATE *9-16-94*
TITLE *Project Engineer*



BENCHMARKS:
 1\"/>

**GRAND ADDISON III
SANITARY SEWER PROFILES
LINES A, A1, A2, A3 & A4**

TOWN OF ADDISON, TEXAS

Lichliter/Jameson & Associates, Inc. **LJA**
 CONSULTING ENGINEERING PLANNING SURVEYING
 1420 WOODKINGSHOPE LANE, SUITE 1400, DALLAS, TEXAS 75247, 214/630-8867

JOB NO. 110895000-0007	DATE 2-25-94	DRAWN BY APL	CHECKED BY SBH
CAD FILE GA-SSFPALDGN	SCALE 2-25-94	SHEET 11 OF 24	