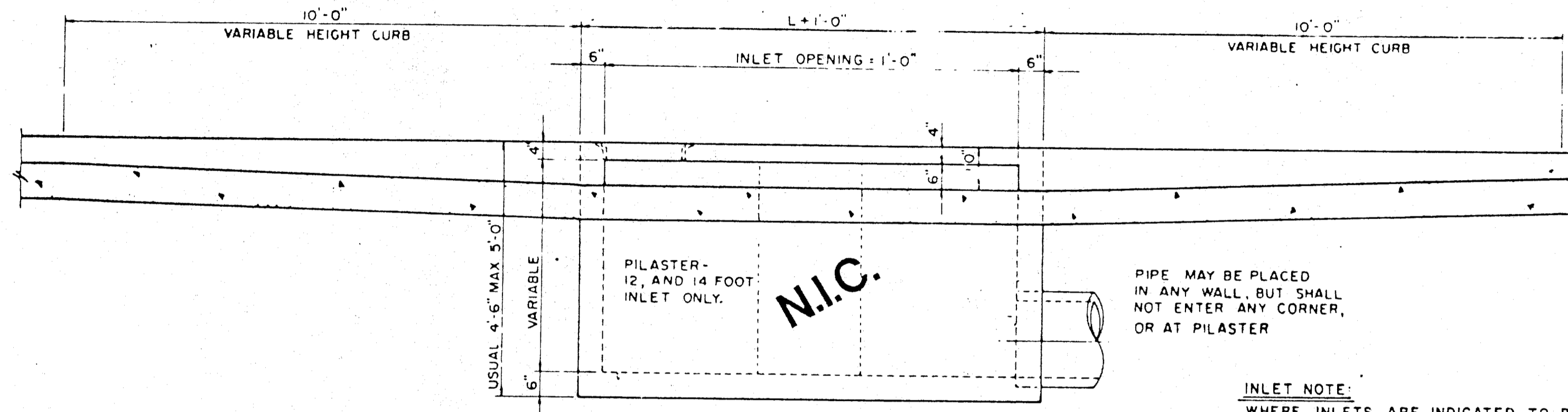
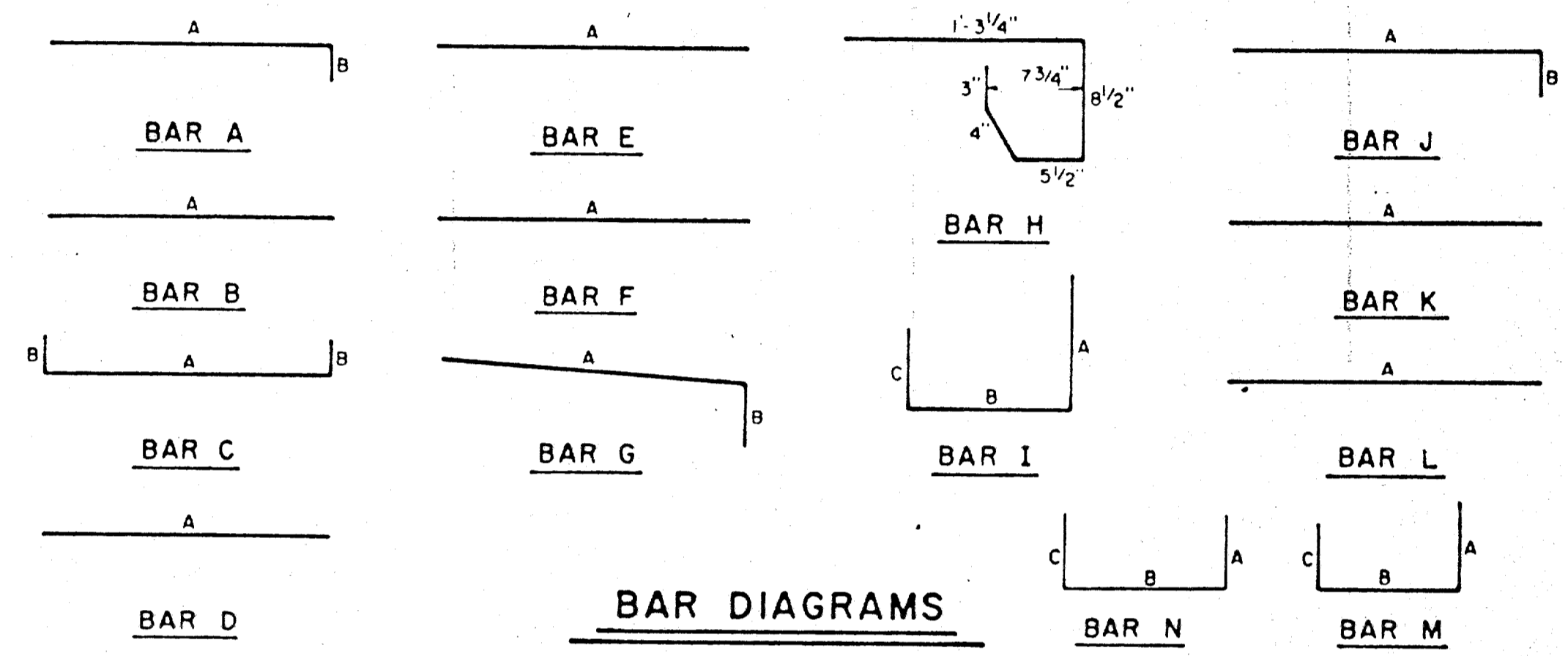


NOTE: PIPES SHALL CONNECT TO THE ENDS OR SIDES OF INLETS. CONNECTION SHALL NOT BE MADE AT CORNERS OF INLETS.



SECTION A-A-RECESSED AND STANDARD INLETS  
4, 6, 8, 10, 12, AND 14 FOOT INLETS

INLET NOTE:  
WHERE INLETS ARE INDICATED TO BE MODIFIED, REFER TO PLAN/PROFILE SHEETS FOR ELEV. DIFFERENT SIZES MODIFICATIONS. ALL OTHER ITEMS SHALL REMAIN AS SHOWN ON THIS STANDARD DETAIL SHEET.



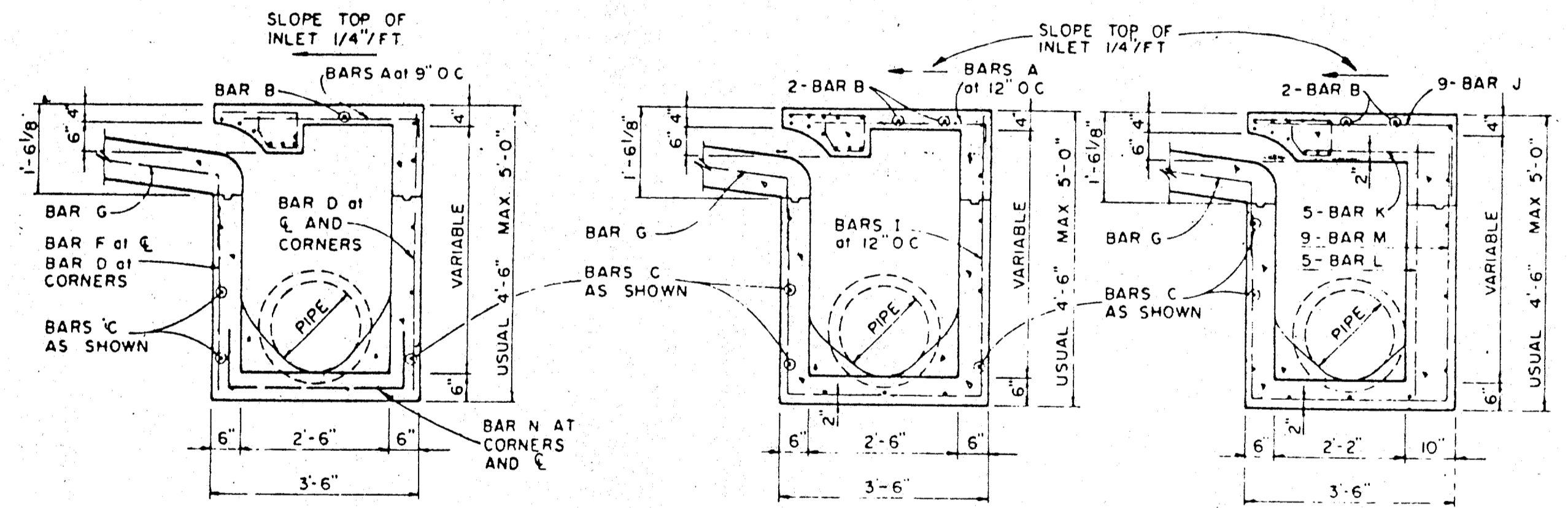
BAR DIAGRAMS

REINFORCING STEEL SCHEDULE

DIMENSIONS SHOWN ARE FOR MAXIMUM SIZE INLETS

INLET LENGTH	BAR TYPE	BAR DIA (1/8 IN)	NO. REQ'D	BAR DIMENSIONS		
				A	B	C
4	A	3	6	3'-2"	0'-3"	-
	B	3	1	2'-10"	-	-
	C	4	15	4'-8"	0'-6"	-
	D	4	5	4'-8"	-	-
	F	4	1	3'-2"	-	-
	G	3	5	2'-0"	1'-3"	-
	H	3	4	-	-	-
	N	3	3	3'-2"	3'-2"	3'-2"
	A	3	9	3'-2"	0'-3"	-
	B	3	1	4'-10"	-	-
6	C	4	15	6'-8"	0'-6"	-
	D	4	5	4'-8"	-	-
	F	4	1	3'-2"	-	-
	G	3	5	2'-0"	1'-3"	-
	H	3	6	-	-	-
	N	3	3	3'-2"	3'-2"	3'-2"
	A	3	12	3'-2"	0'-3"	-
	B	3	1	6'-10"	-	-
	C	4	15	8'-8"	0'-6"	-
	D	4	5	4'-8"	-	-
8	F	4	1	3'-2"	-	-
	G	3	5	2'-0"	1'-3"	-
	H	3	8	-	-	-
	N	3	3	3'-2"	3'-2"	3'-2"
	A	3	10	3'-2"	0'-3"	-
	B	3	2	8'-10"	-	-
	C	4	16	10'-8"	0'-6"	-
	D	4	4	4'-8"	-	-
	E	5	6	10'-8"	-	-
	G	3	5	2'-0"	1'-3"	-
10	H	3	15	-	-	-
	I	4	8	4'-8"	3'-2"	3'-2"
	L	4	5	4'-3"	-	-
	A	3	12	3'-2"	0'-3"	-
	B	3	2	10'-10"	-	-
	C	4	16	12'-8"	0'-6"	-
	D	4	4	4'-8"	-	-
	E	5	6	12'-8"	-	-
	G	3	5	2'-0"	1'-3"	-
	H	3	18	-	-	-
12	I	4	10	4'-8"	3'-2"	3'-2"
	J	5	9	3'-2"	1'-3"	-
	K	4	5	2'-3"	-	-
	L	4	5	4'-3"	-	-
	M	5	9	4'-3"	3'-2"	3'-9"
	A	3	14	3'-2"	0'-3"	-
	B	3	2	10'-10"	-	-
	C	4	16	14'-8"	0'-6"	-
	D	4	4	4'-8"	-	-
	E	5	6	14'-8"	-	-
14	G	3	5	2'-0"	1'-3"	-
	H	3	21	-	-	-
	I	4	12	4'-8"	3'-2"	3'-2"
	J	5	9	3'-2"	1'-3"	-
	K	4	5	2'-3"	-	-
	L	4	5	4'-3"	-	-
	M	5	9	4'-3"	3'-2"	3'-9"
	A	3	14	4'-3"	0'-3"	-
	B	3	2	10'-10"	-	-
	C	4	16	14'-8"	0'-6"	-

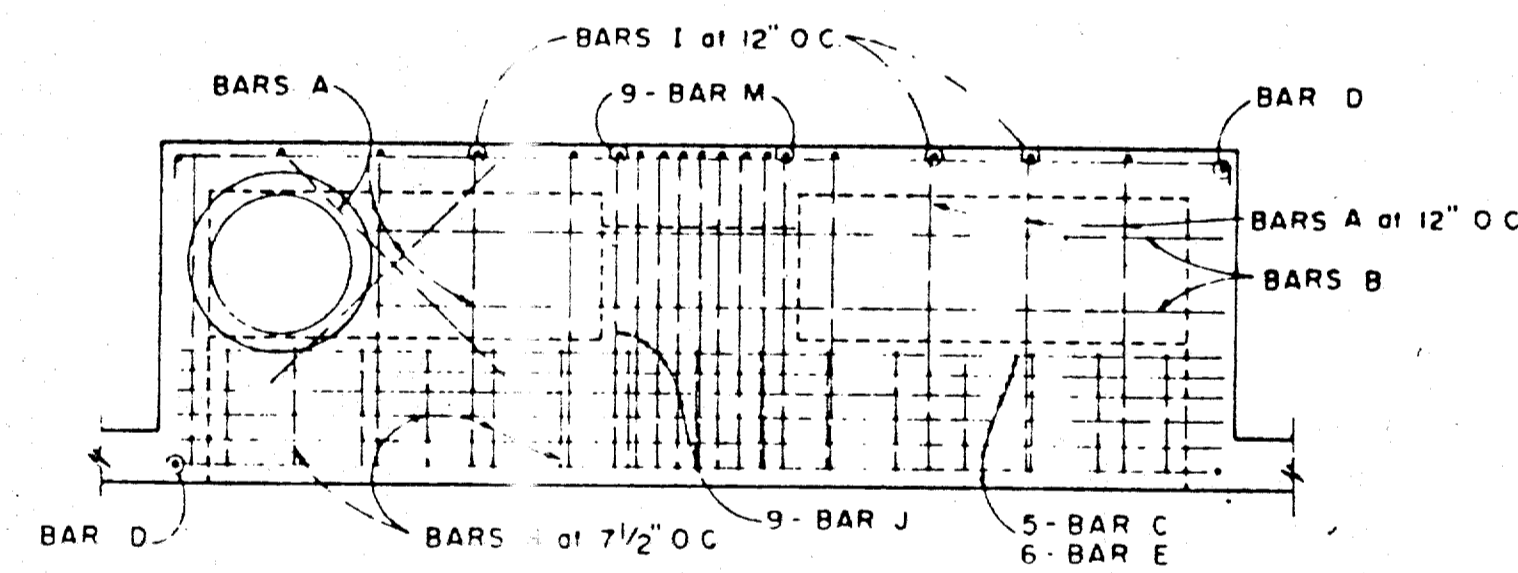
\* SEE DIAGRAM FOR DIMENSIONS



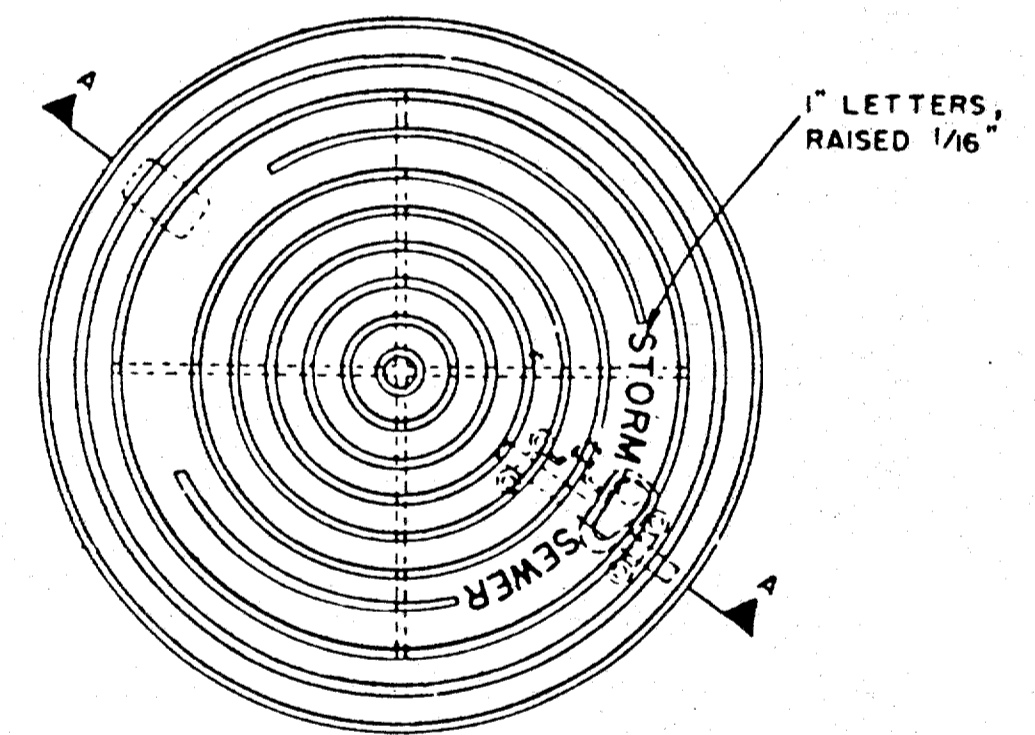
SECTION B-B

SECTION C-C

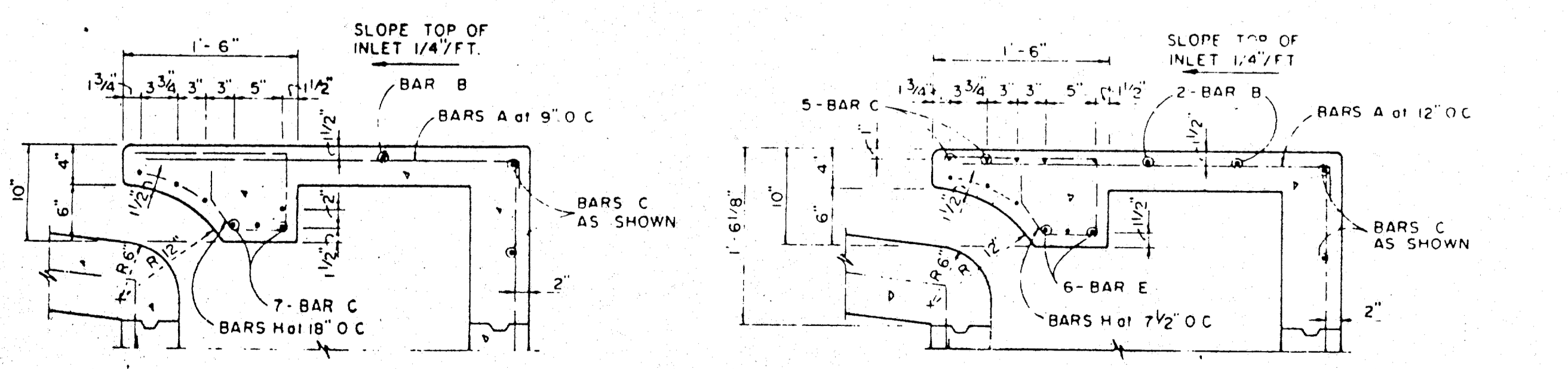
SECTION B-B



PLAN



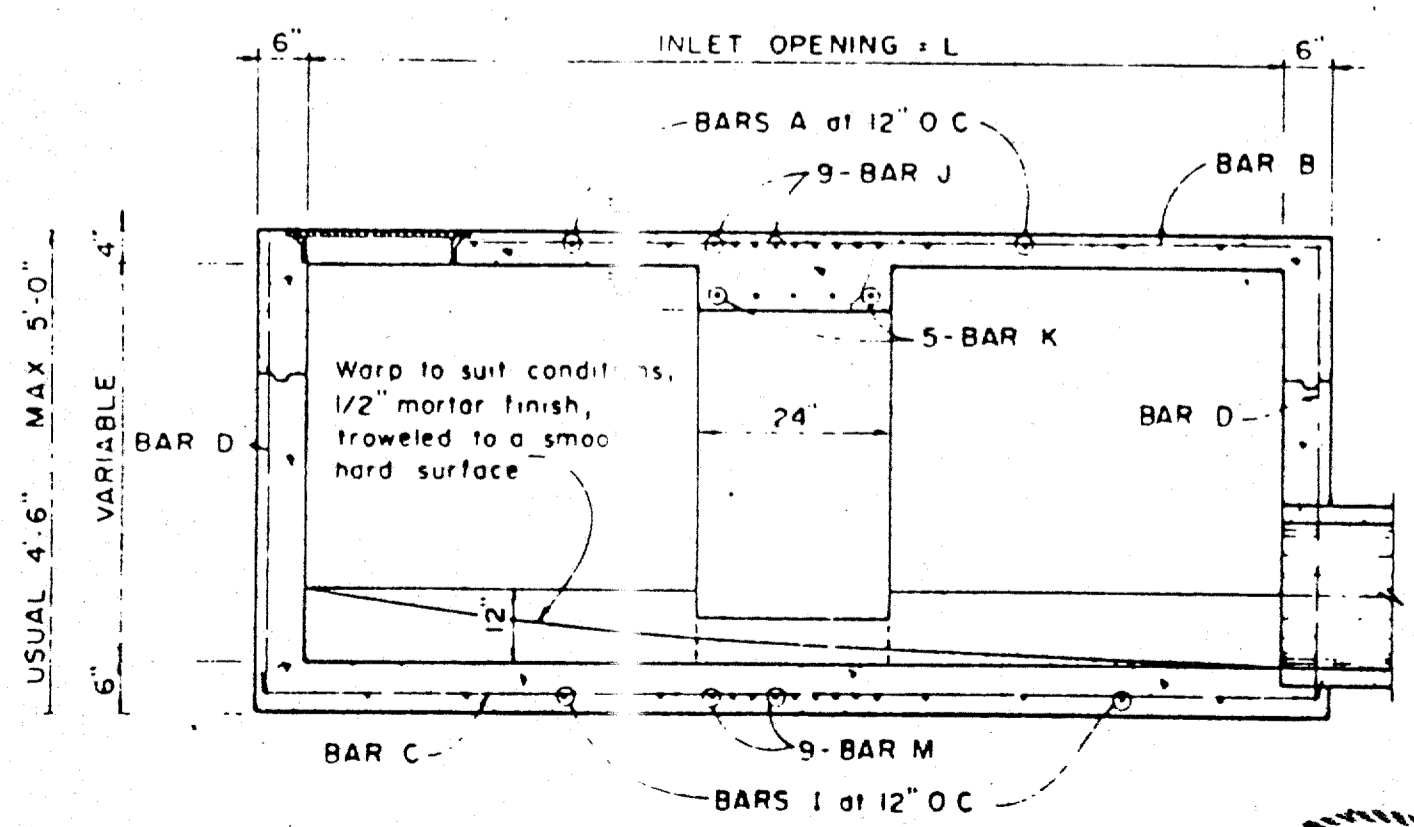
PLAN OF FRAME



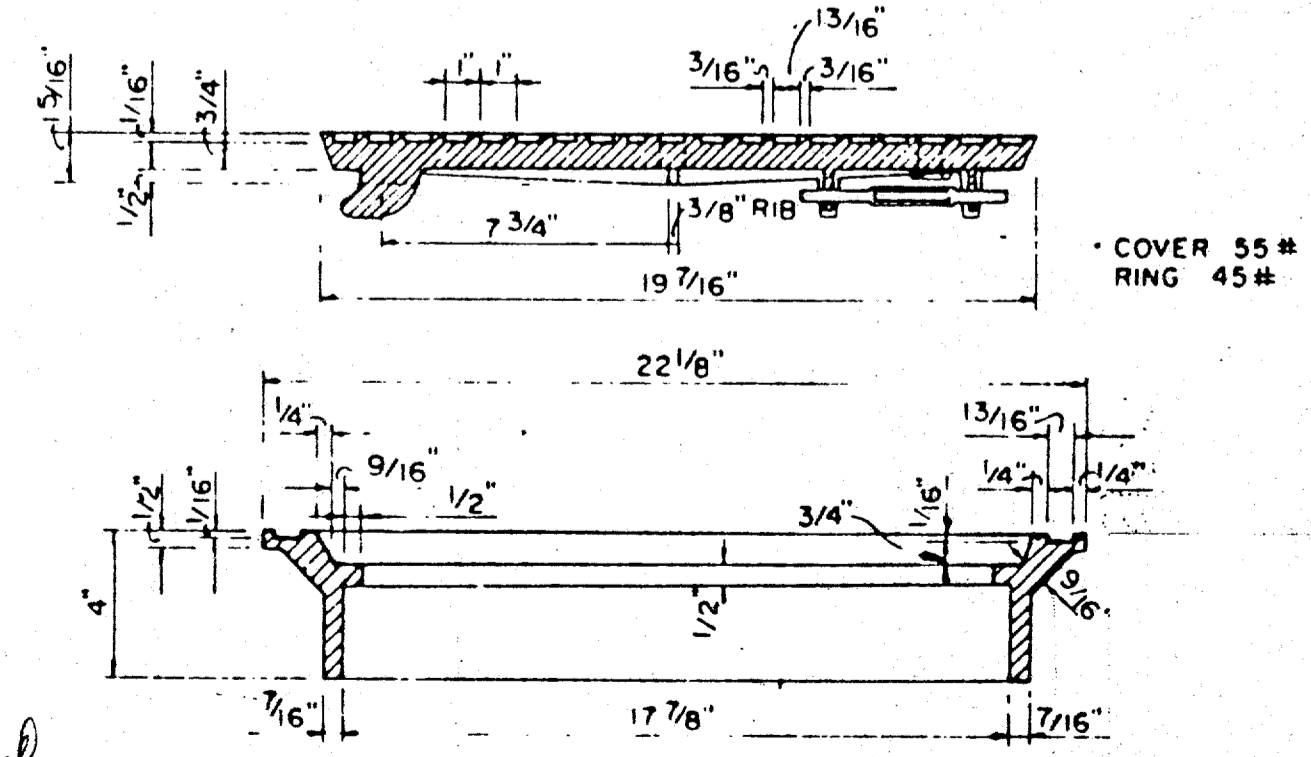
SECTION C-C

SECTION C-C

4, 6, AND 8 FOOT INLETS



SECTION D-D FOR 12' & 14' ONLY



SECTION OF FRAME AND COVER  
INLET FRAME AND COVER



TOWN OF ADDISON, TEXAS  
DEPARTMENT OF ENGINEERING  
STANDARD CONSTRUCTION DETAILS  
STORM DRAINAGE  
CURB INLETS

Designed -	Drawn -	Date -	Job No. -
Approved -	Checked -	Scale -	Sheet 18