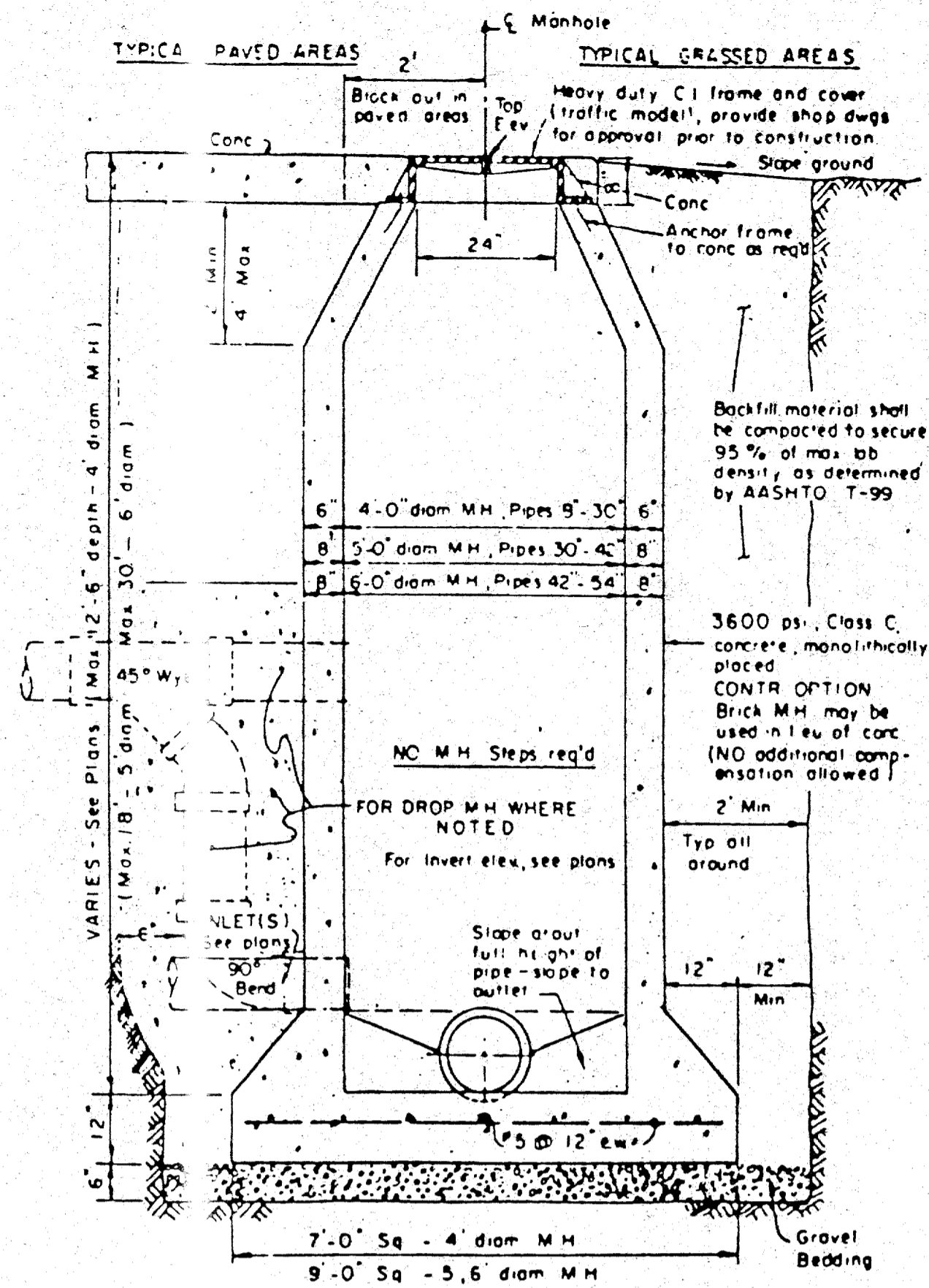
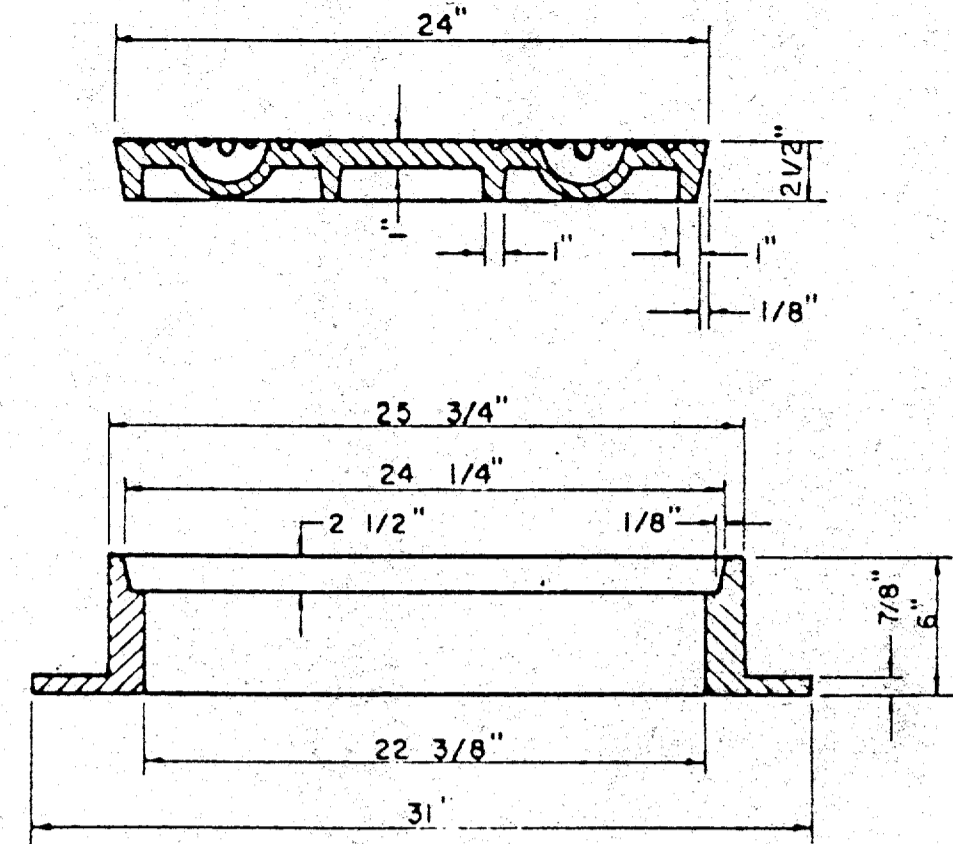


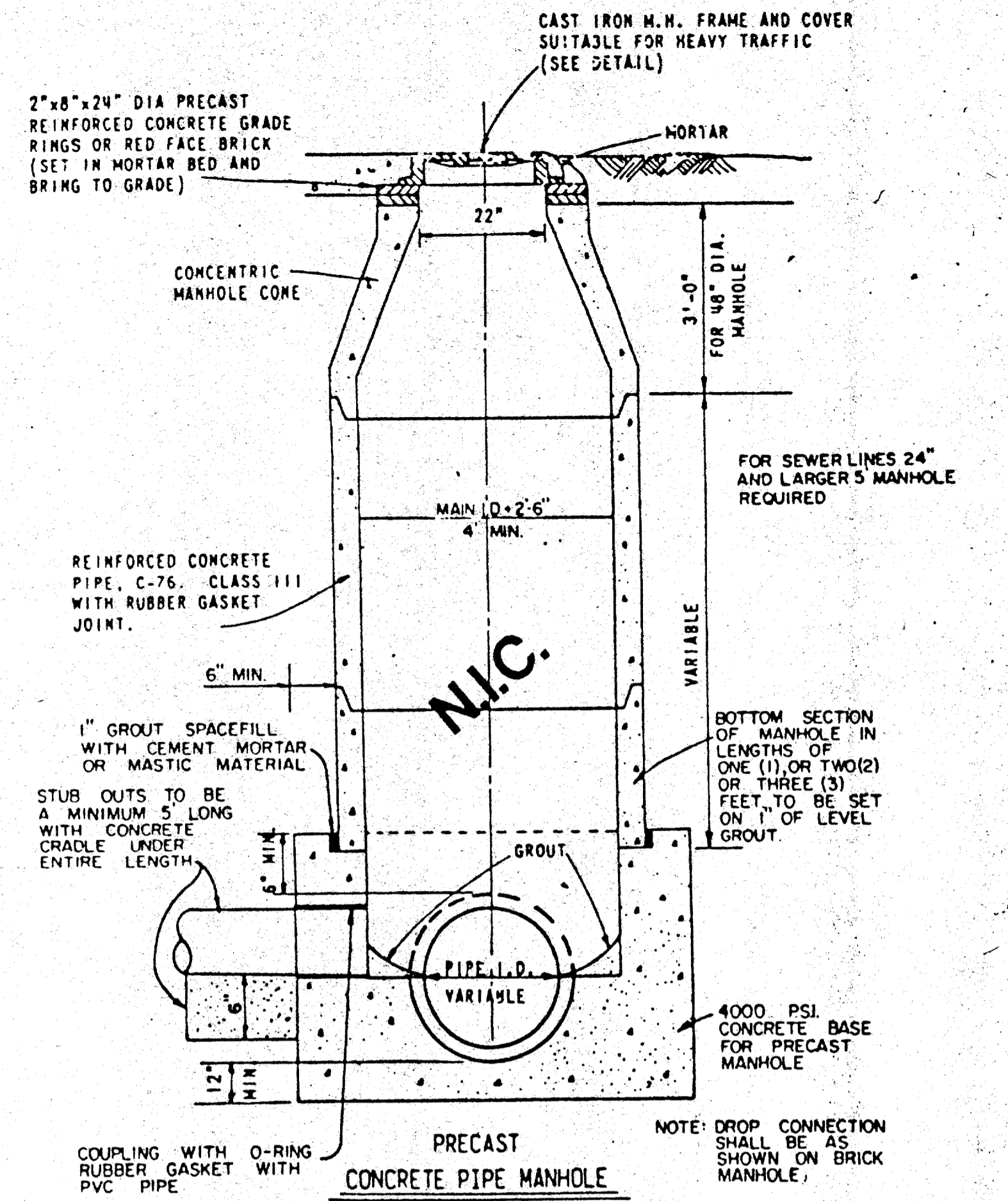
APPROX.
WEIGHT
RING AND COVER
385 LBS.

CAST IRON GRATE AND FRAME DETAIL

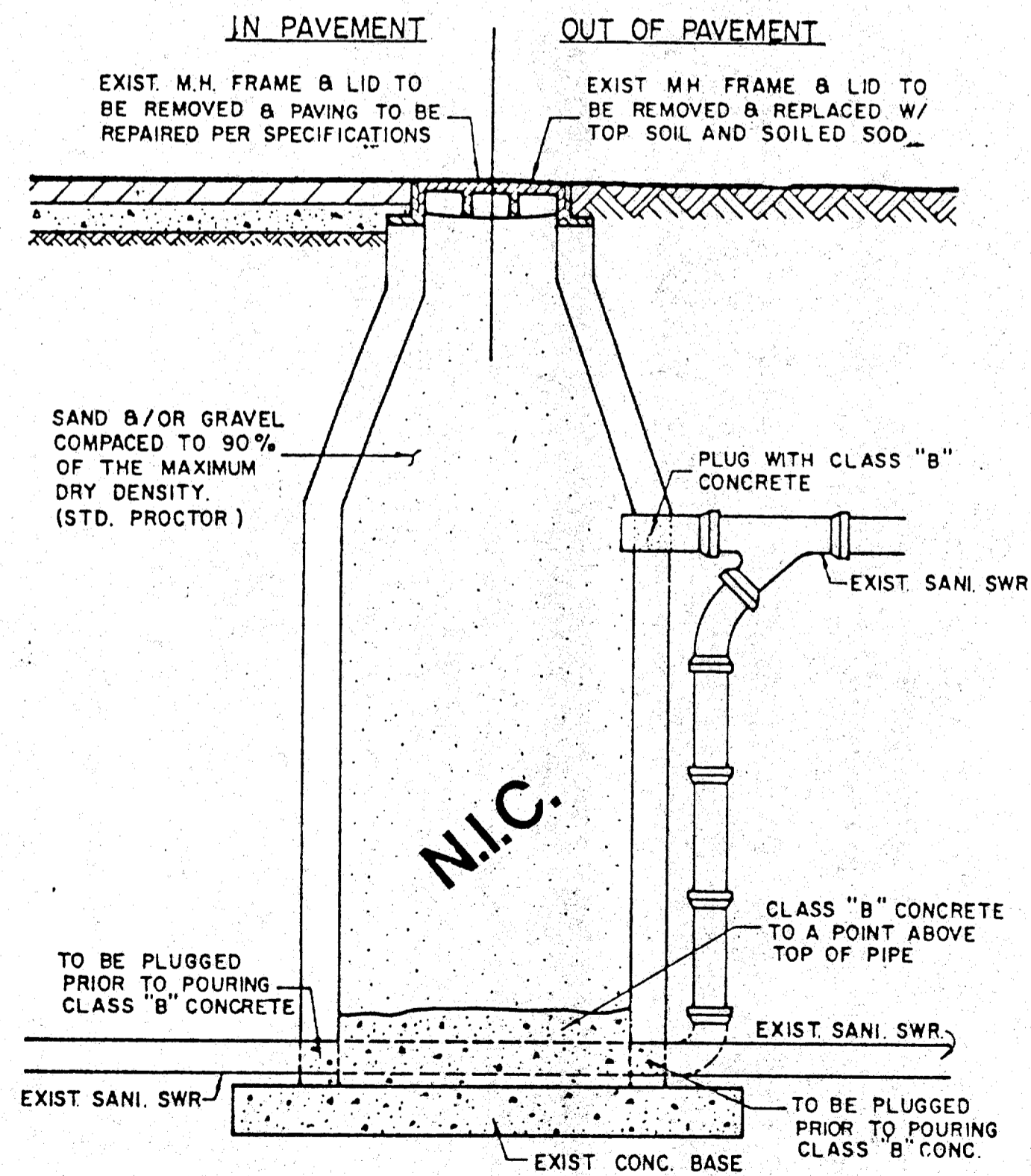


CAST IN PLACE MANHOLE

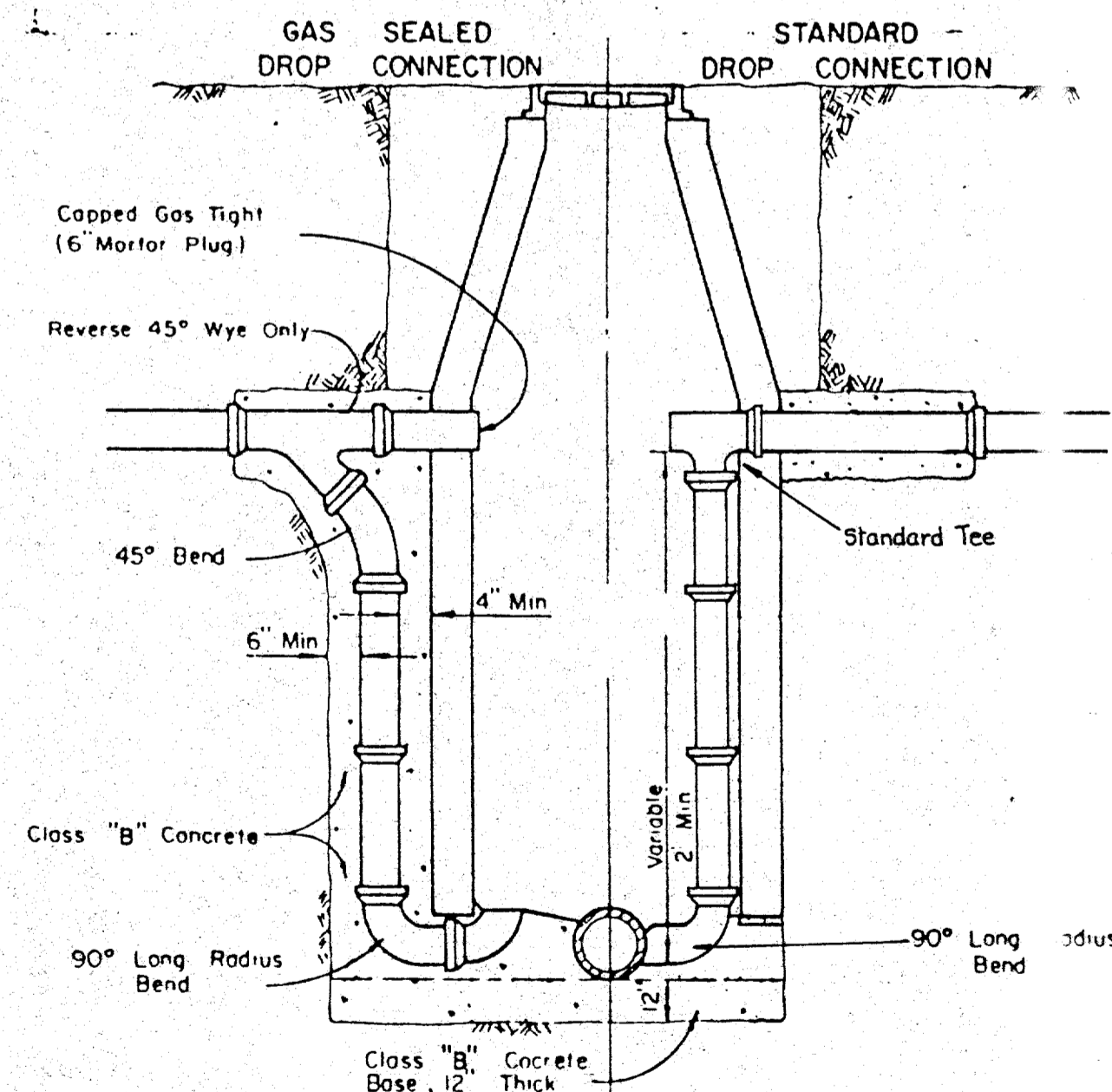
WHERE DROP M.H. IS REQUIRED, USE INSIDE DROP CONNECTION AS PER TOWN OF ADDISON STANDARDS.



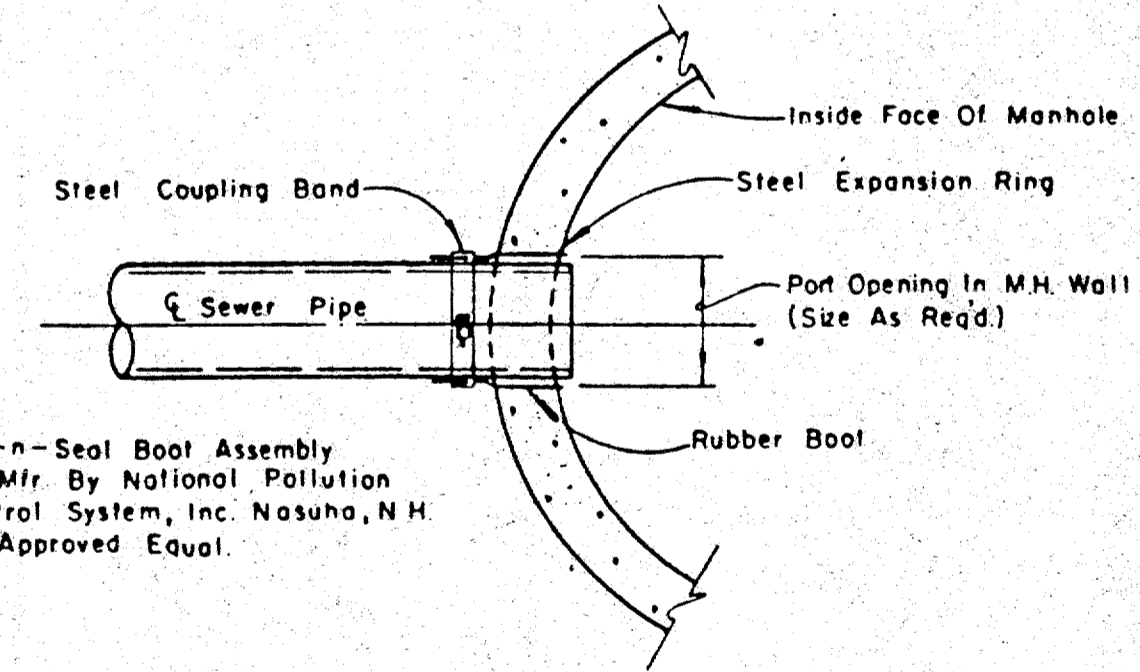
PRECAST MANHOLE



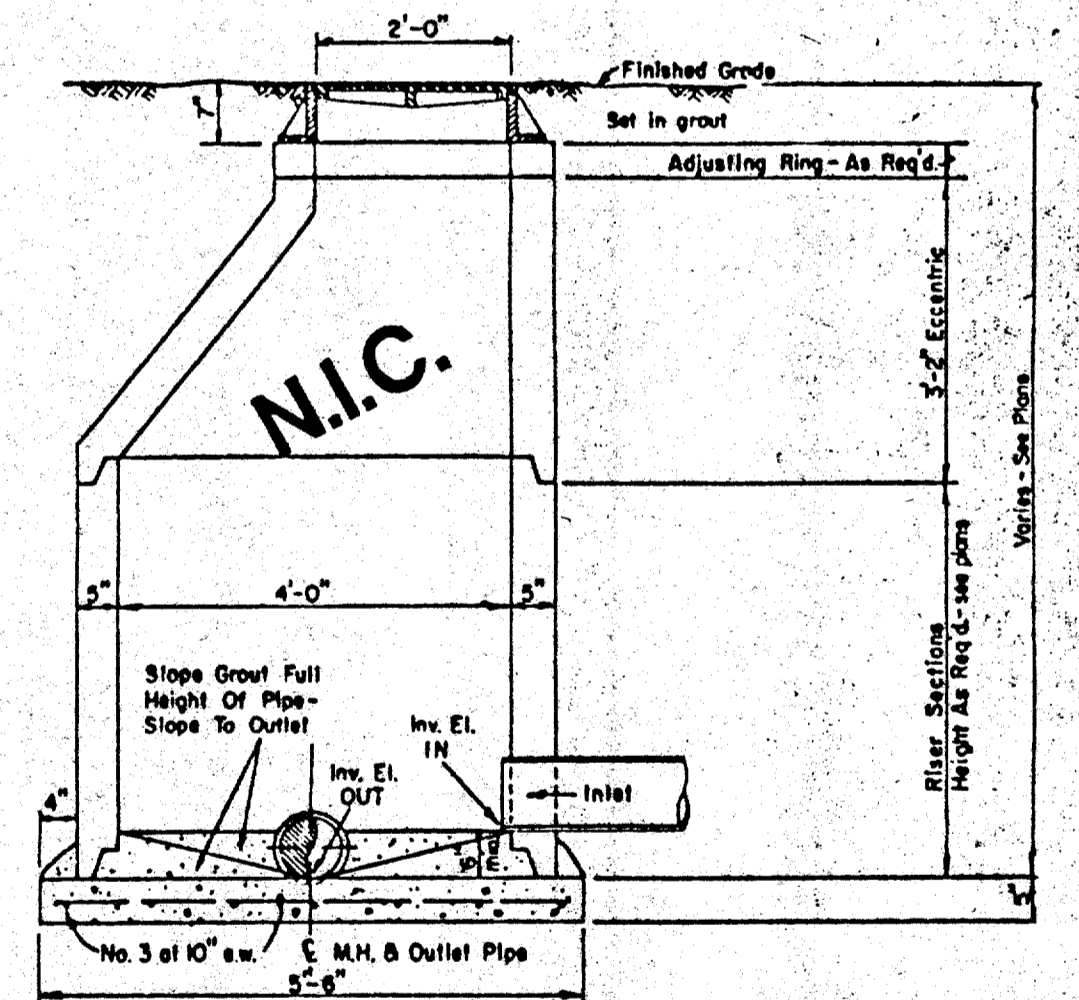
ABANDONMENT OF EXISTING MANHOLE
IN AND OUT OF PAVEMENT



DROP CONNECTIONS FOR
SANITARY SEWER MANHOLES

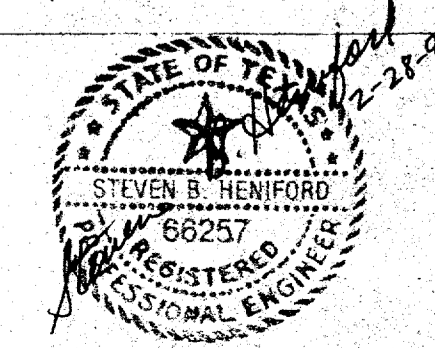


TYPICAL SEWER
CONNECTION AT MANHOLE



ECCENTRIC MANHOLE DETAIL

CLASS B Conc. - 2000psi at 28 days (Compressive)



TOWN OF ADDISON, TEXAS
DEPARTMENT OF ENGINEERING

STANDARD CONSTRUCTION DETAILS
SANITARY SEWER

MANHOLES AND CONNECTIONS

Designed -	Drawn -	Date -	Job No. -
Approved -	Checked -	Scale -	Sheet 20