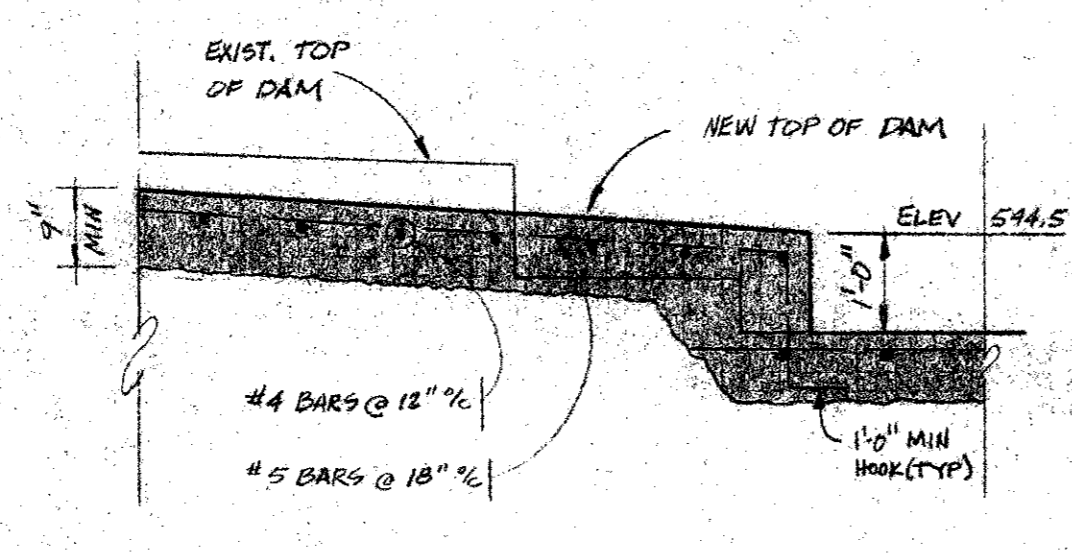
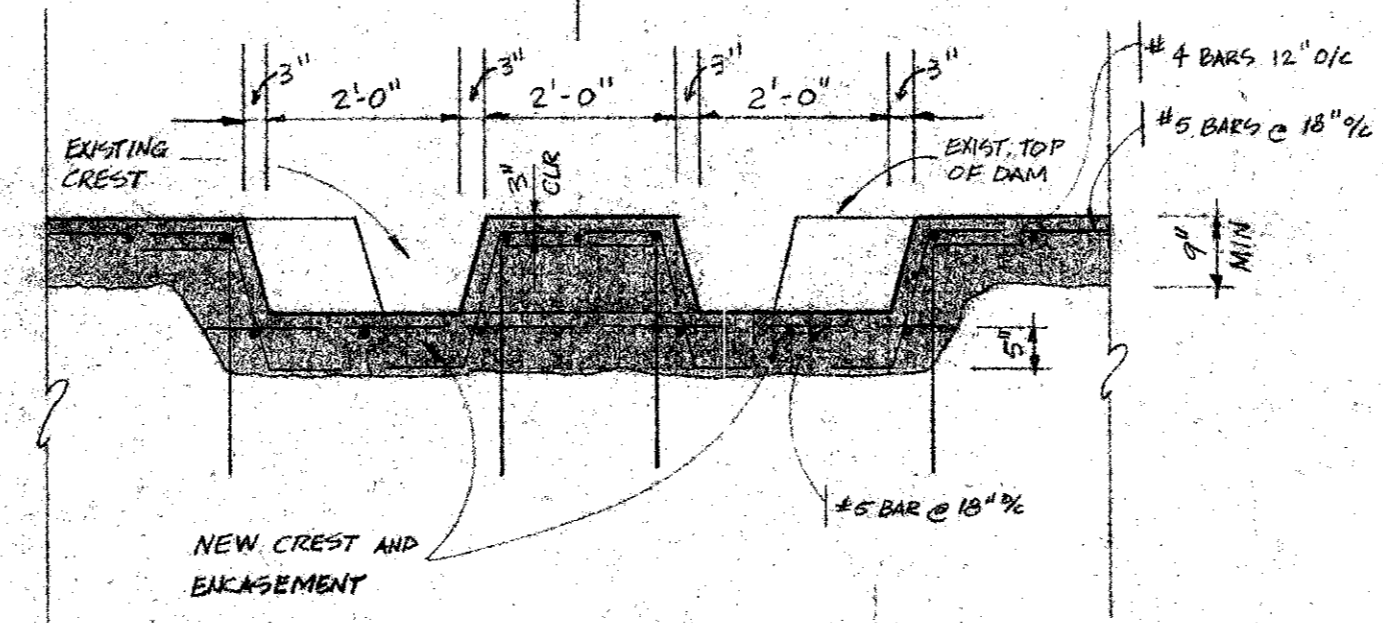


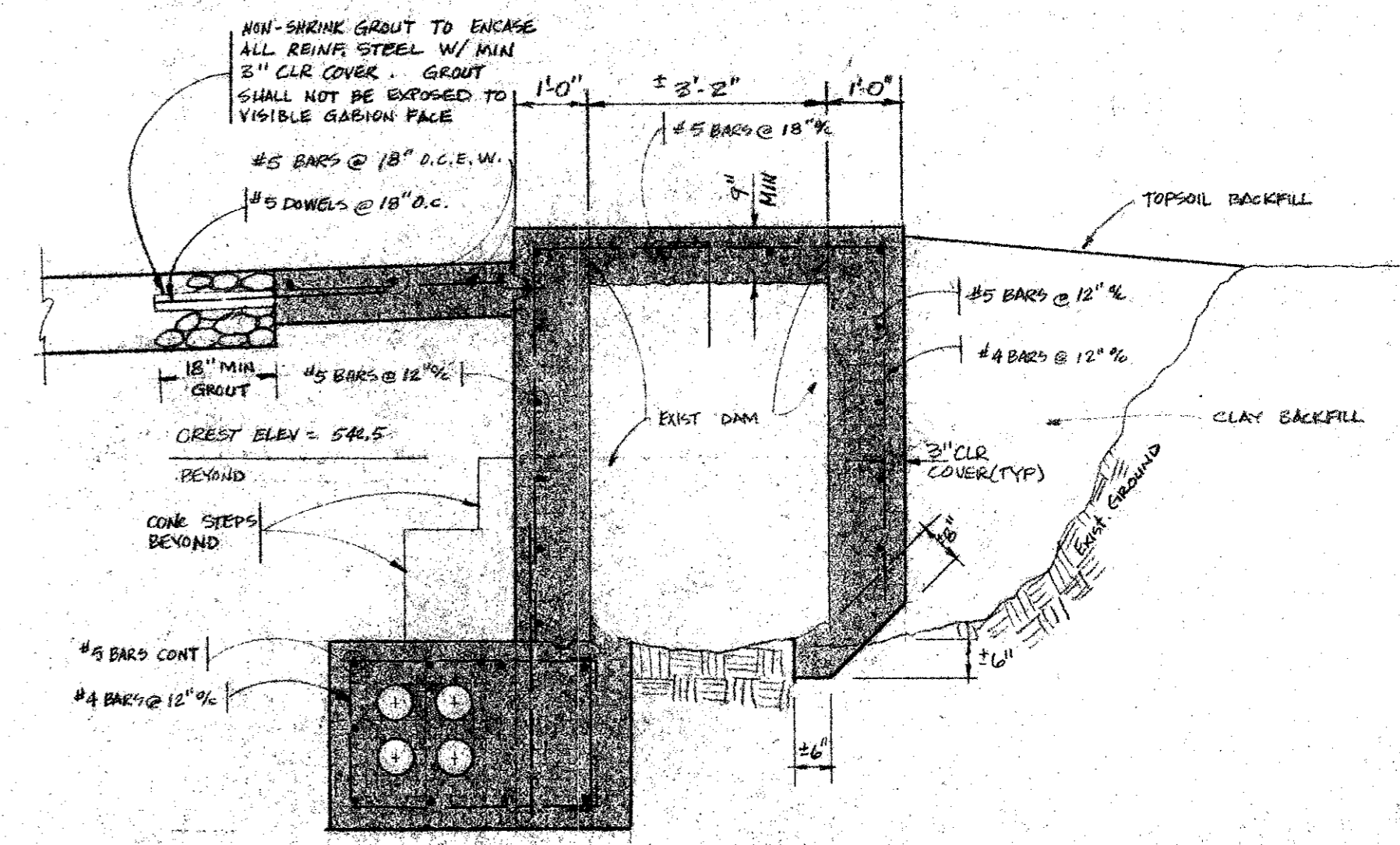
①



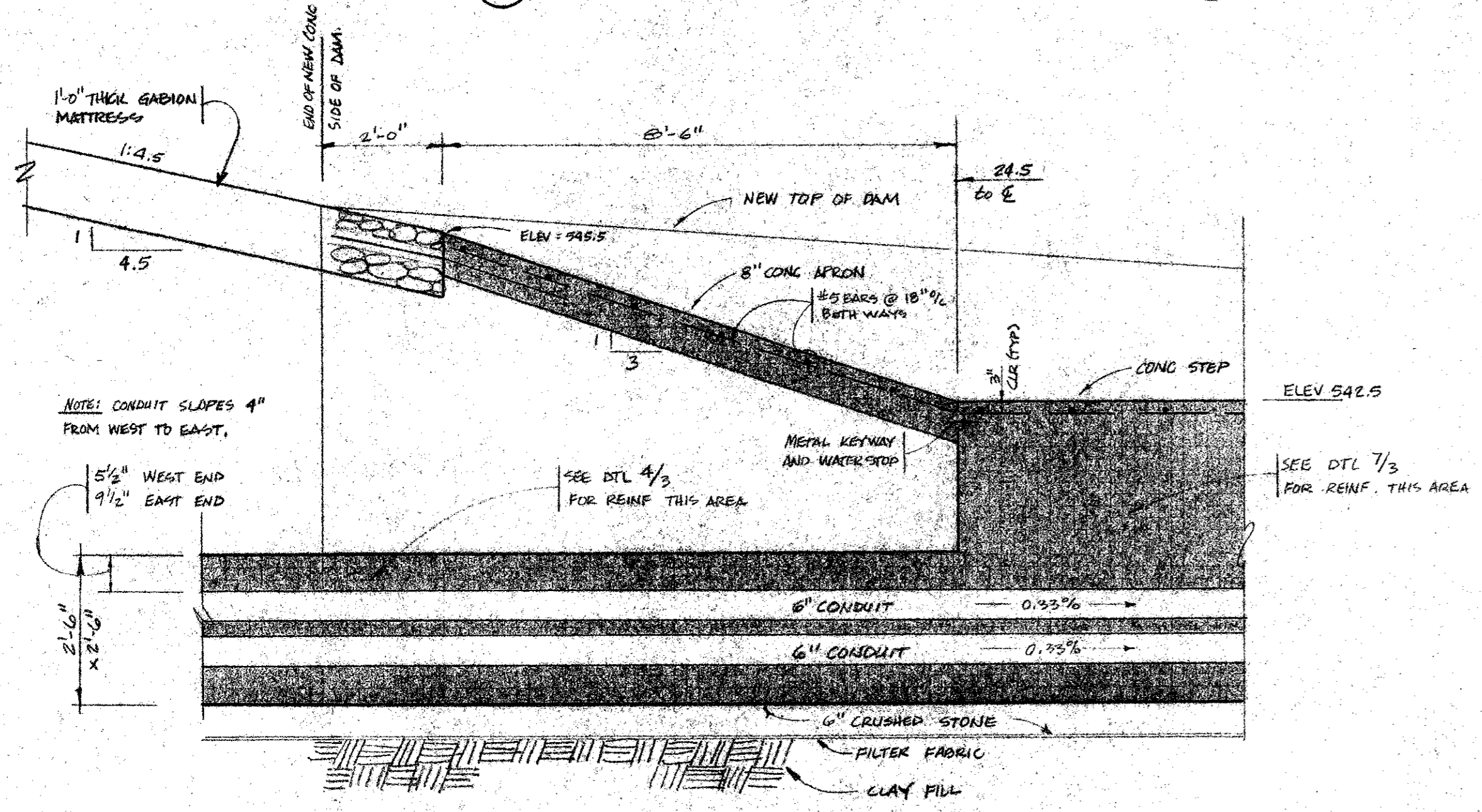
②



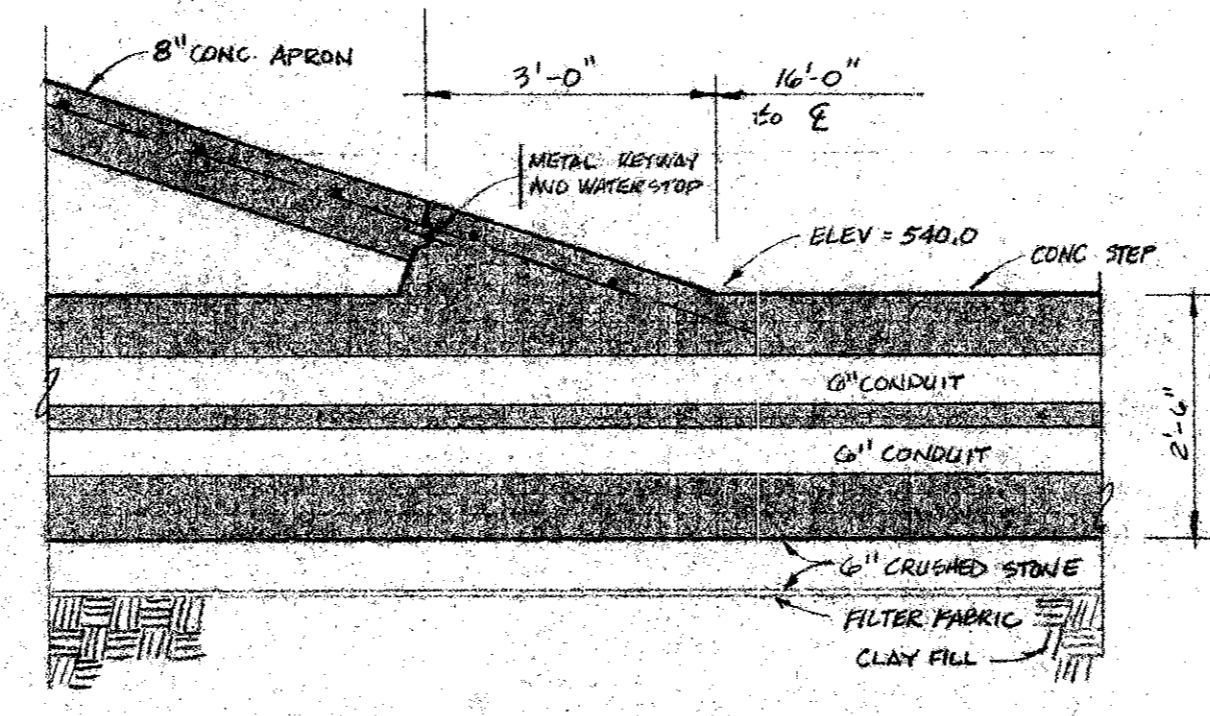
③



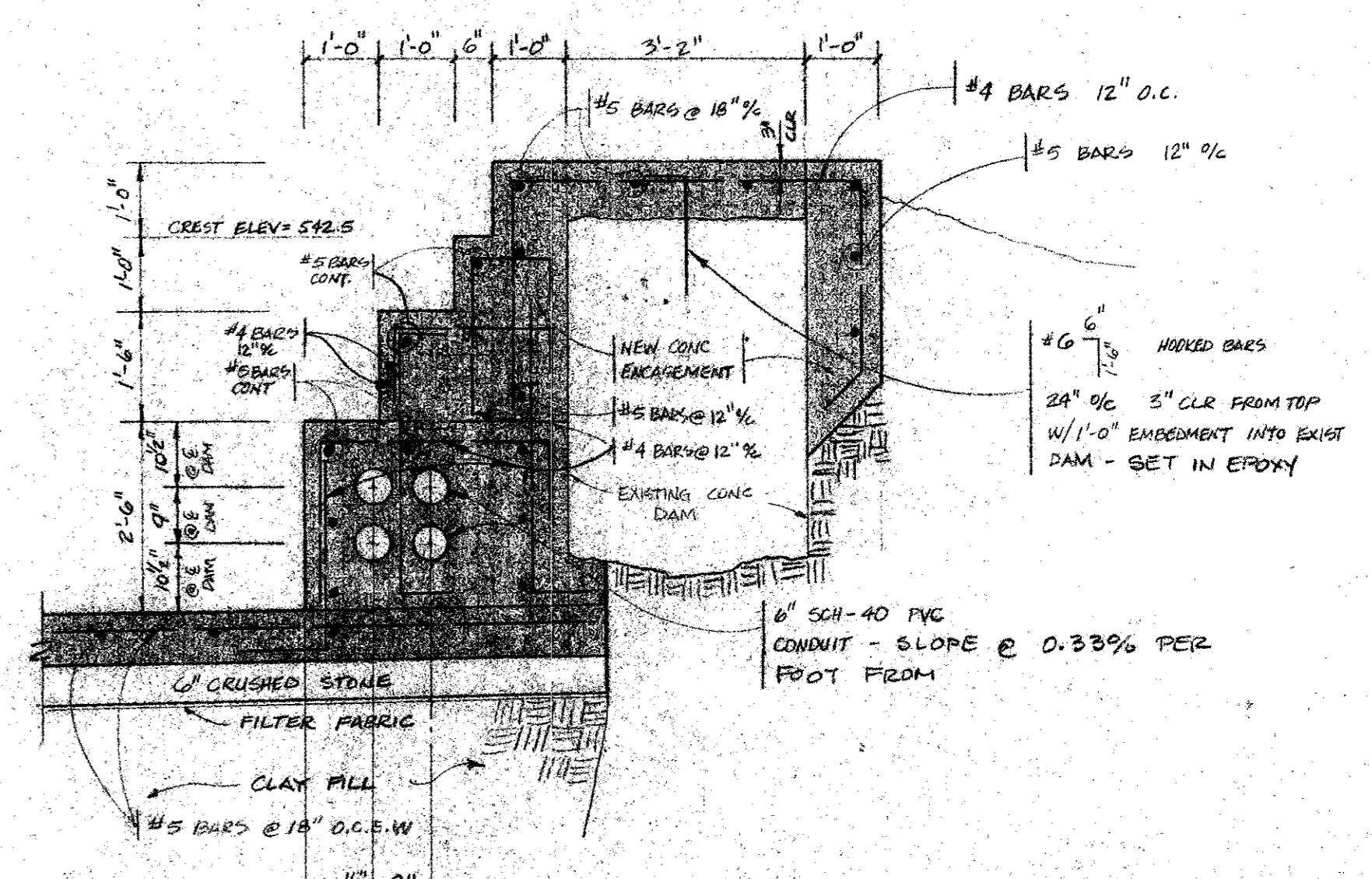
④



⑤



⑥



⑦

SCALE ALL DETAILS:  
1/2" = 1'-0" U.O.N.

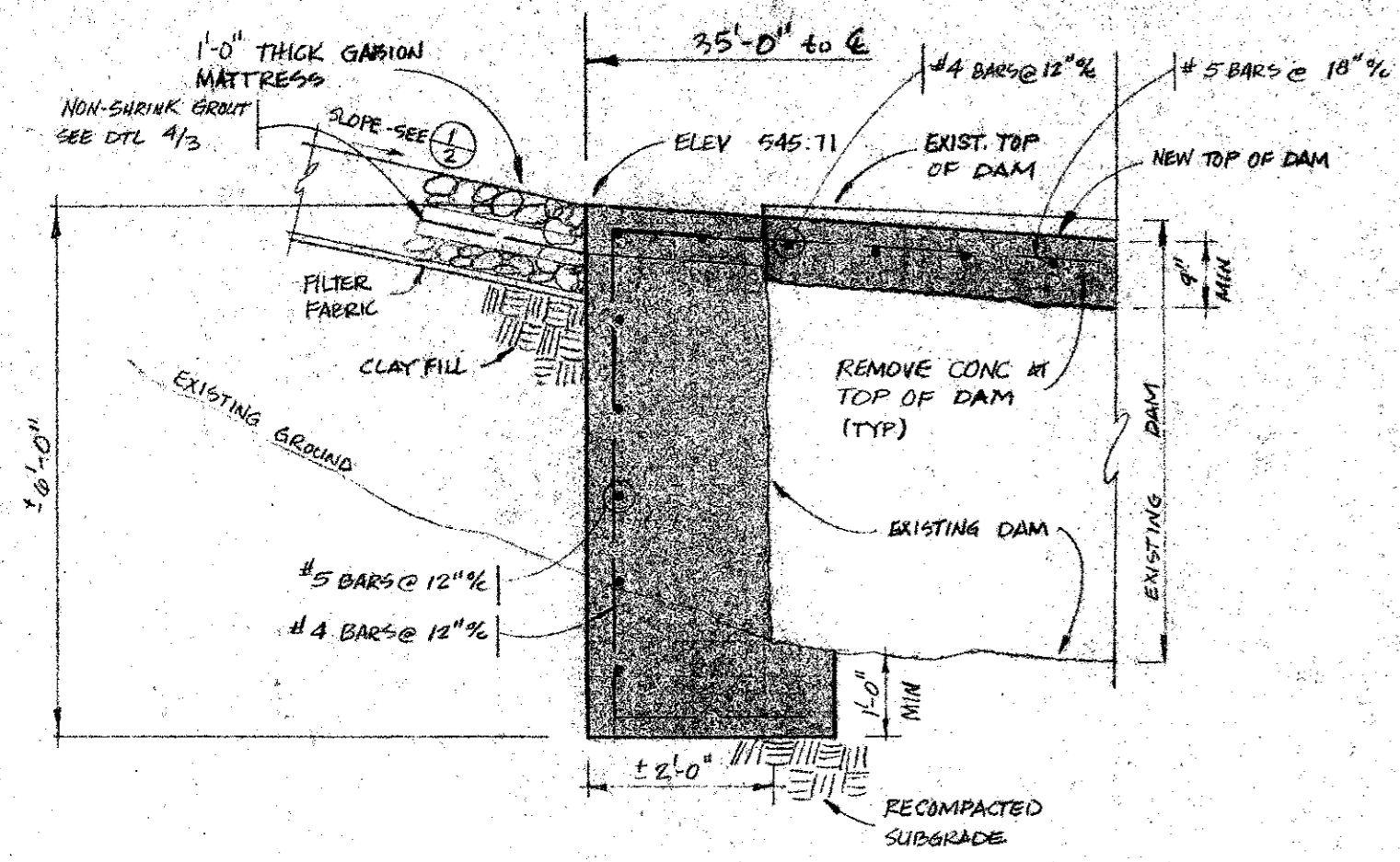
DATE: \_\_\_\_\_  
DRAWN BY: \_\_\_\_\_  
CHECKED BY: \_\_\_\_\_  
JOB NO.: 90012  
REVISED: \_\_\_\_\_

**GREENHAVEN VILLAGE APARTMENTS**  
ADDISON TEXAS  
**EROSION CONTROL and DAMREPAIR**

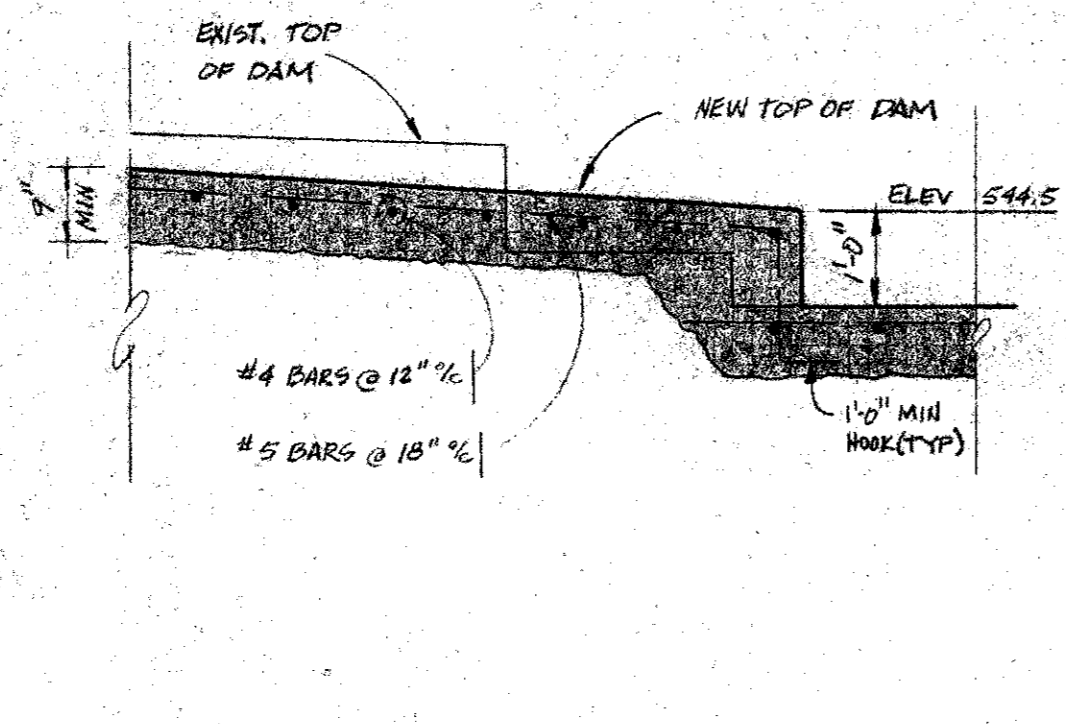
Doyle  
Engineering  
Group  
Suite 603  
4455 LBJ Freeway  
Dallas, Texas 75244  
214 991 1188

PRELIMINARY  
NOT FOR CONSTRUCTION

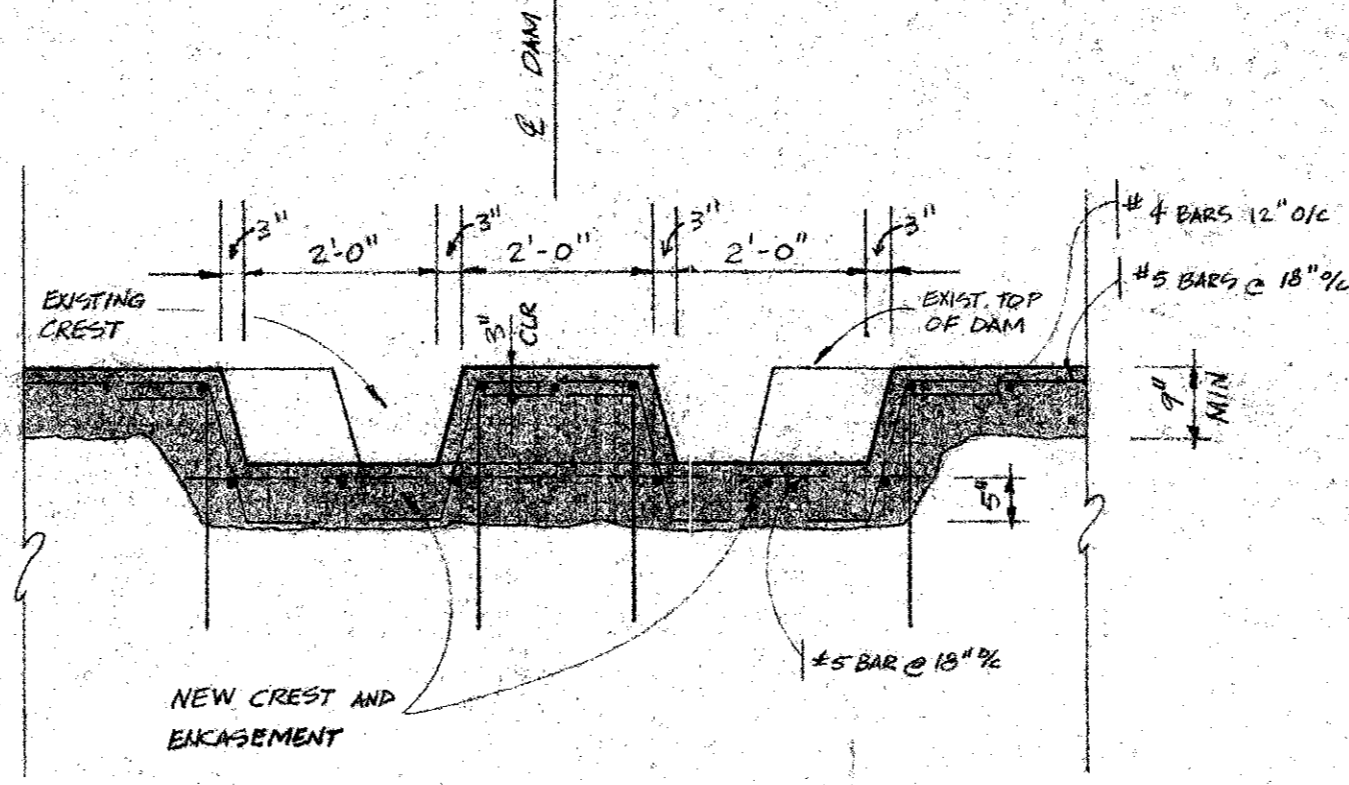
SHEET NUMBER  
OF  
SET NUMBER 3 OF 100



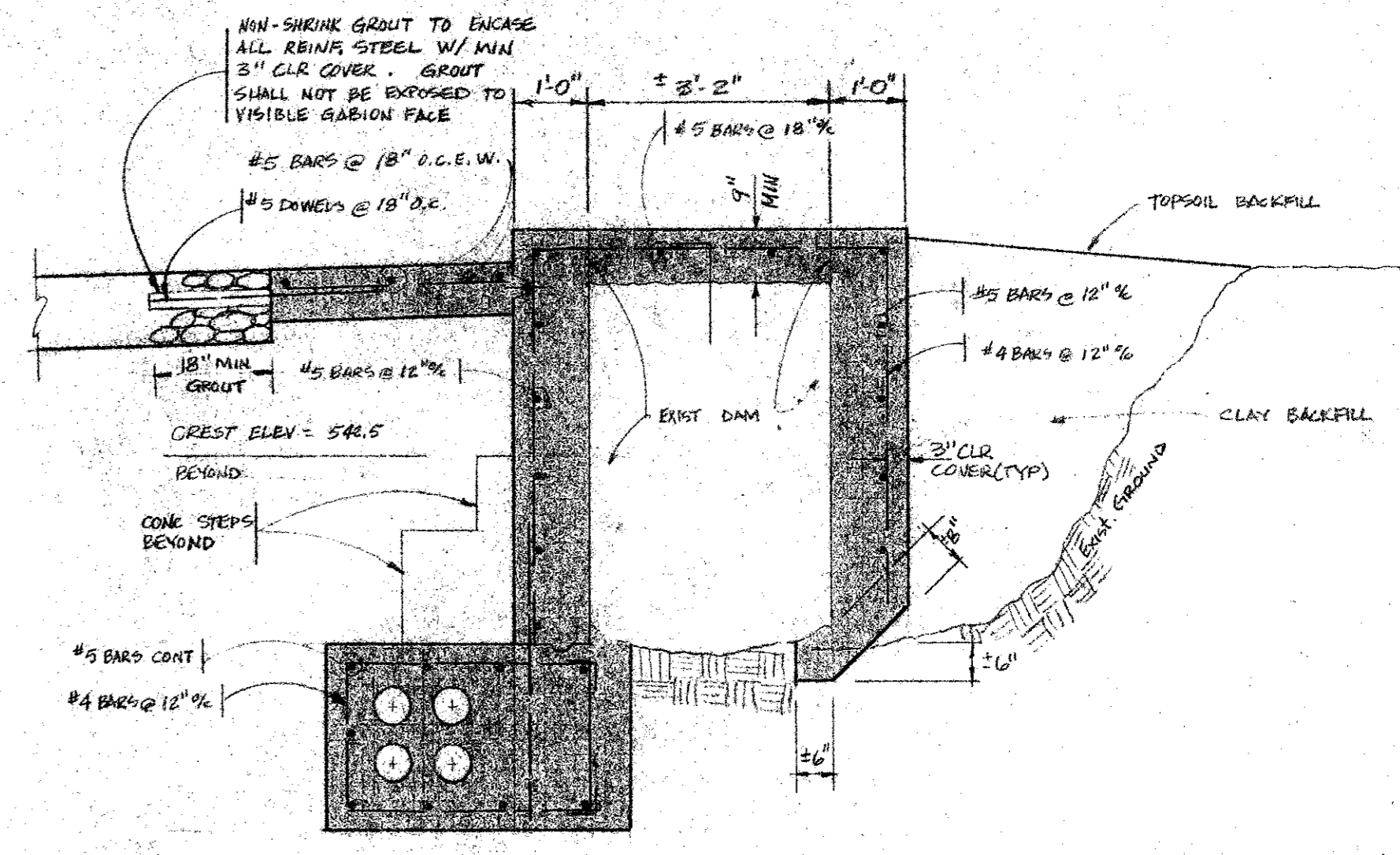
1



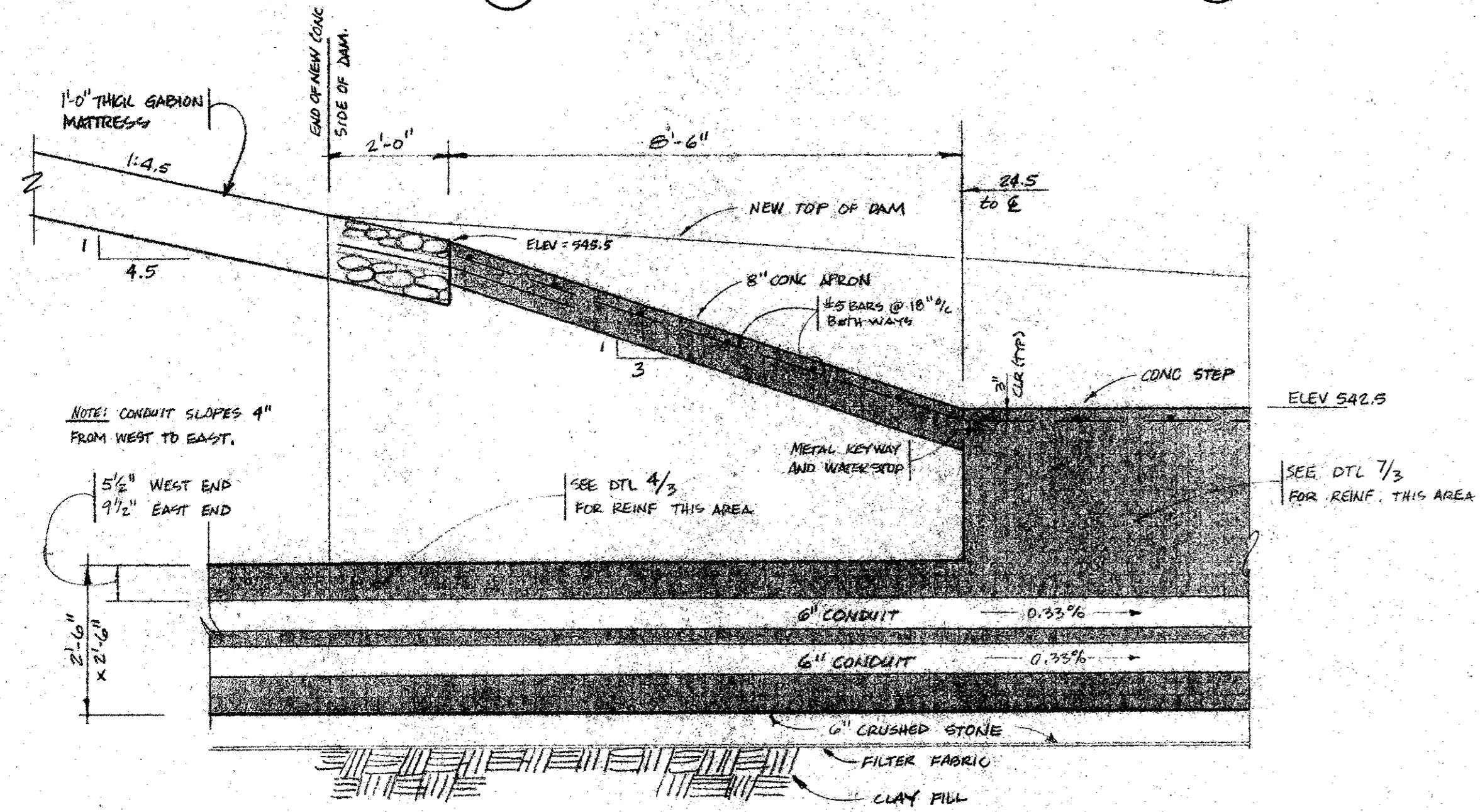
2



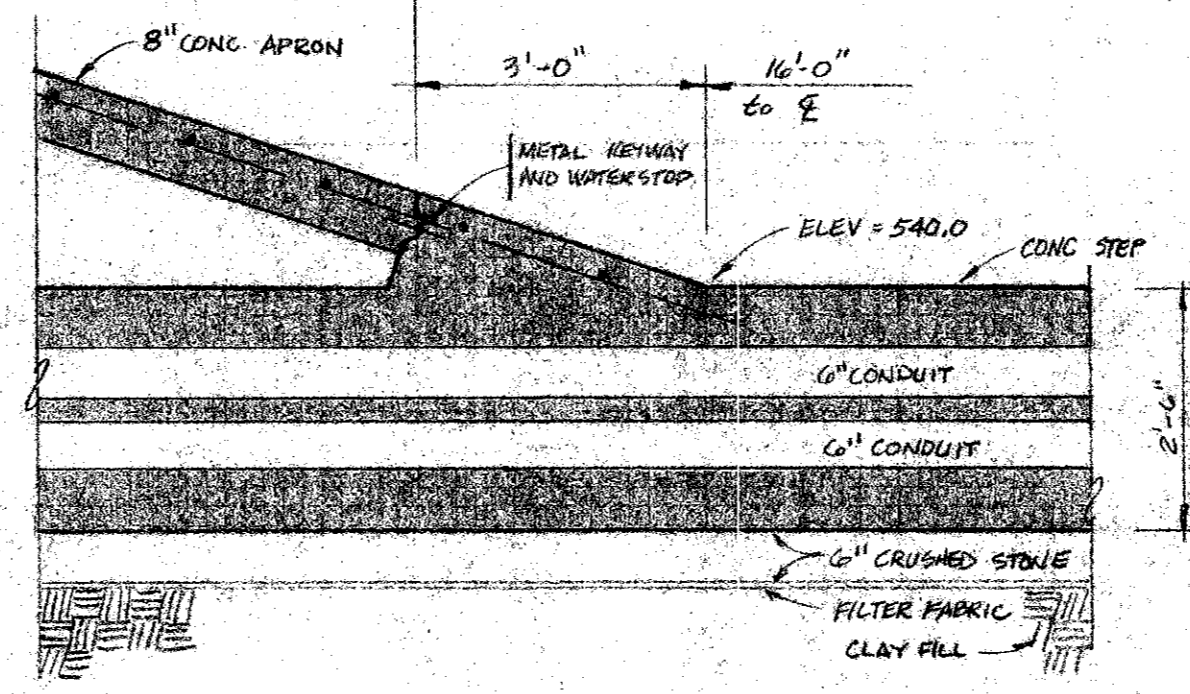
3



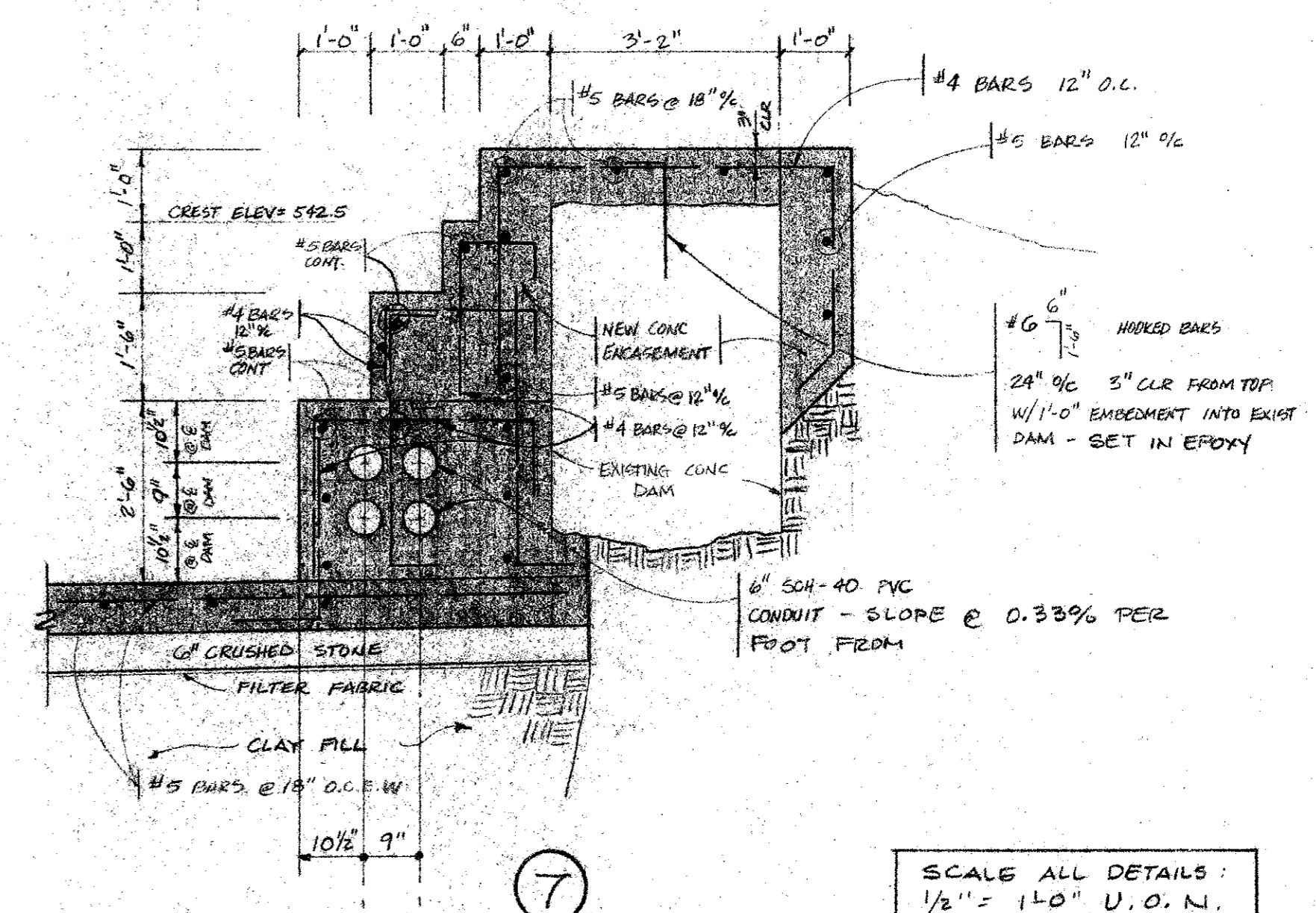
4



5



6



7

SCALE ALL DETAILS : 1/2" = 1'-0" U.O.N.

DATE: \_\_\_\_\_  
 DRAWN BY: \_\_\_\_\_  
 CHECKED BY: \_\_\_\_\_  
 JOB NO.: 90012  
 REVISED: \_\_\_\_\_

**GREENHAVEN VILLAGE APARTMENTS**  
 ADDISON TEXAS  
**EROSION CONTROL and DAM REPAIR**

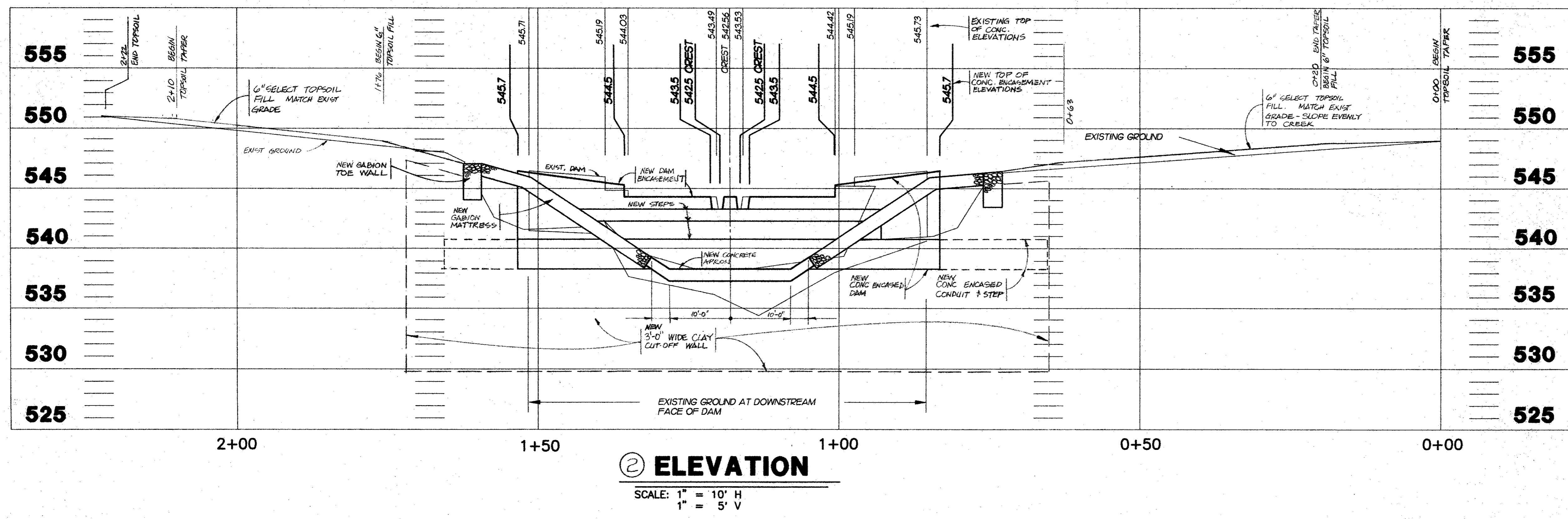
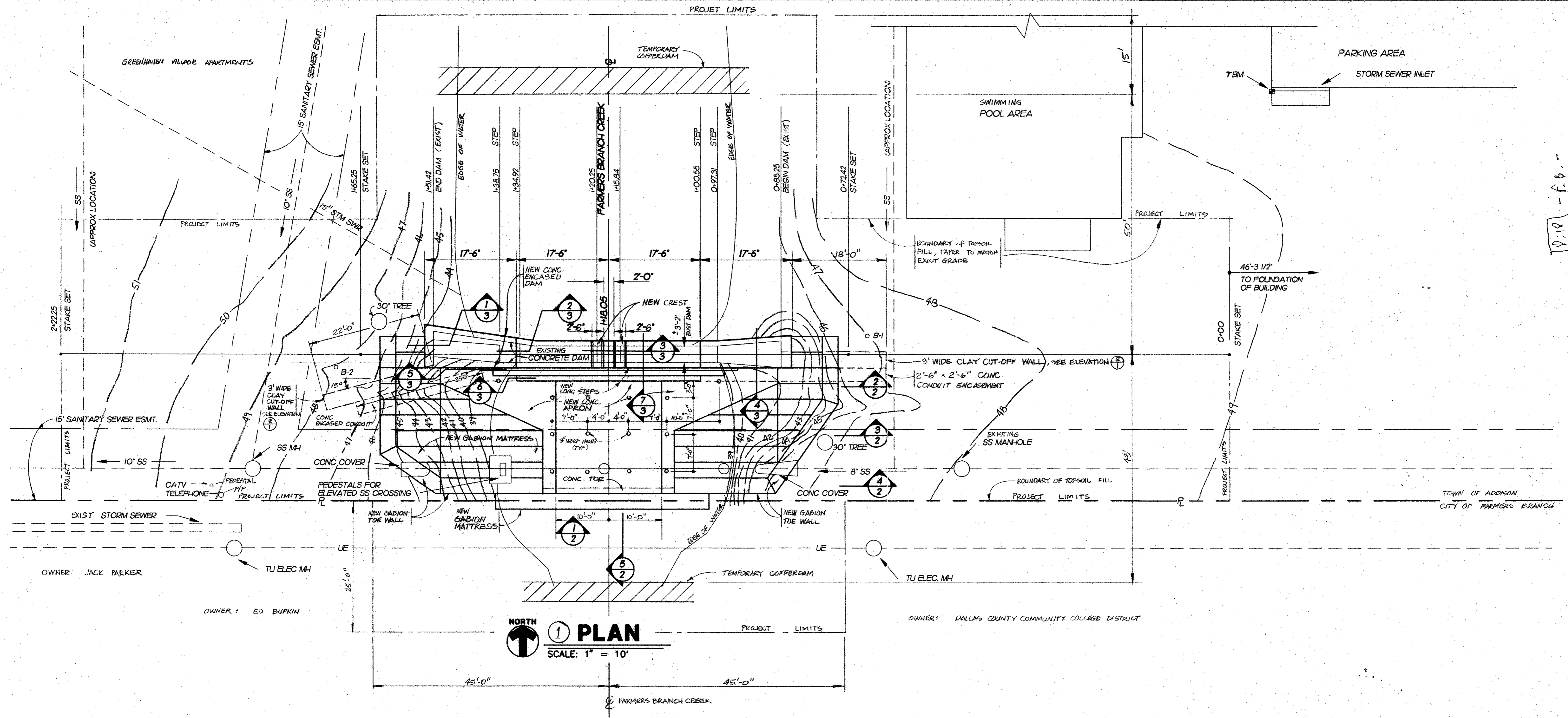
Doyle  
 Engineering  
 Group  
 Suite 603  
 4455 LBJ Freeway  
 Dallas, Texas 75244  
 214 991 1188

SHEET NUMBER  
 OF  
 SET NUMBER

3

PRELIMINARY  
 NOT FOR CONSTRUCTION

**GREENHAVEN VILLAGE APARTMENTS**  
 ADDISON TEXAS  
**EROSION CONTROL and DAM REPAIR**



PRELIMINARY  
 NOT FOR CONSTRUCTION

BENCHMARK  
 □ TBM, TOP OF CONCRETE INLET  
 SW CORNER OF EAST PARKING AREA  
 NEAREST POOL  
 ELEVATION 550.41

