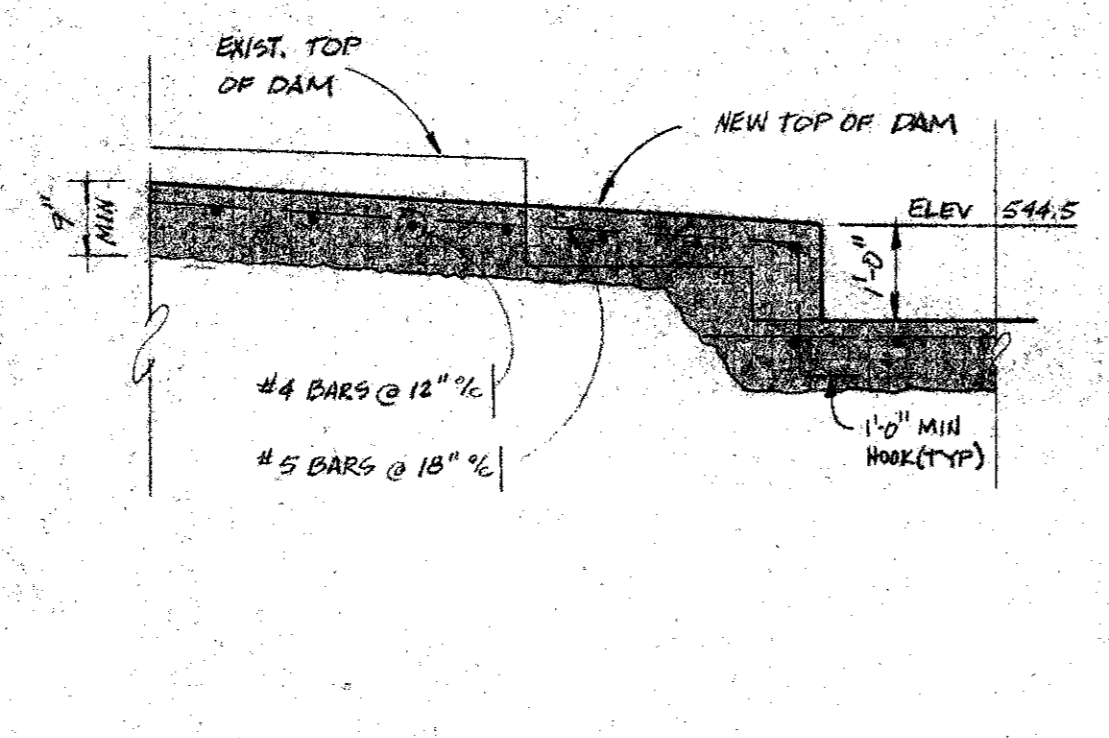
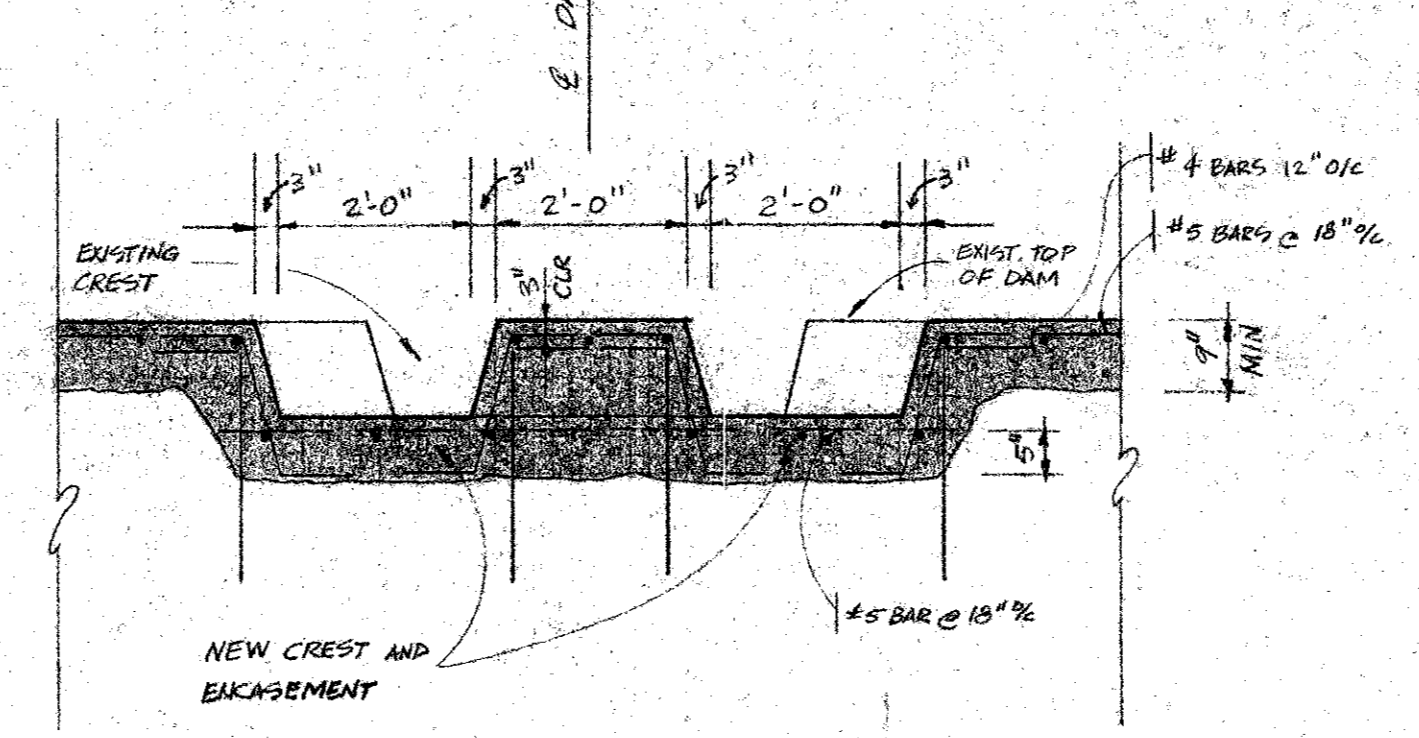


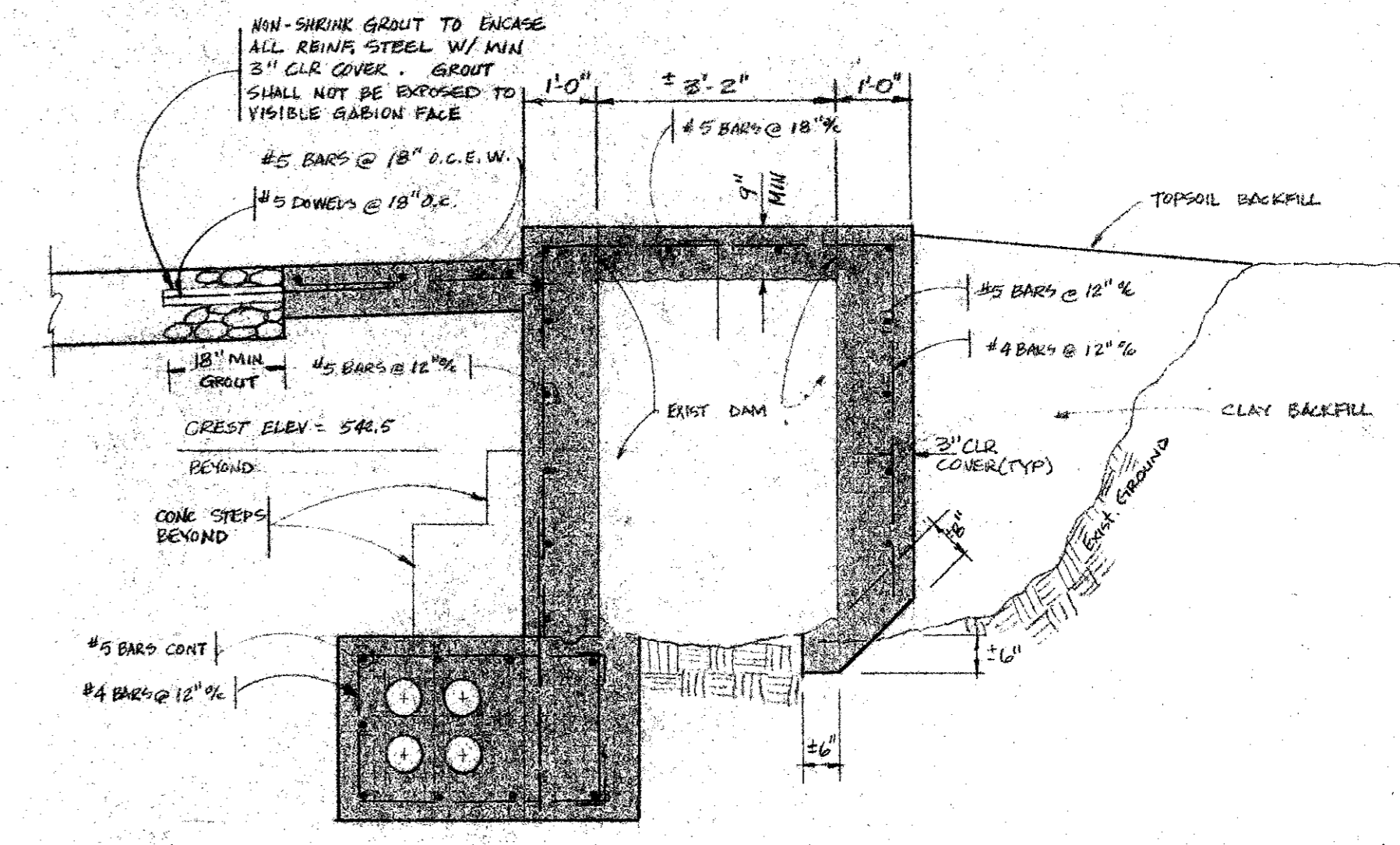
1



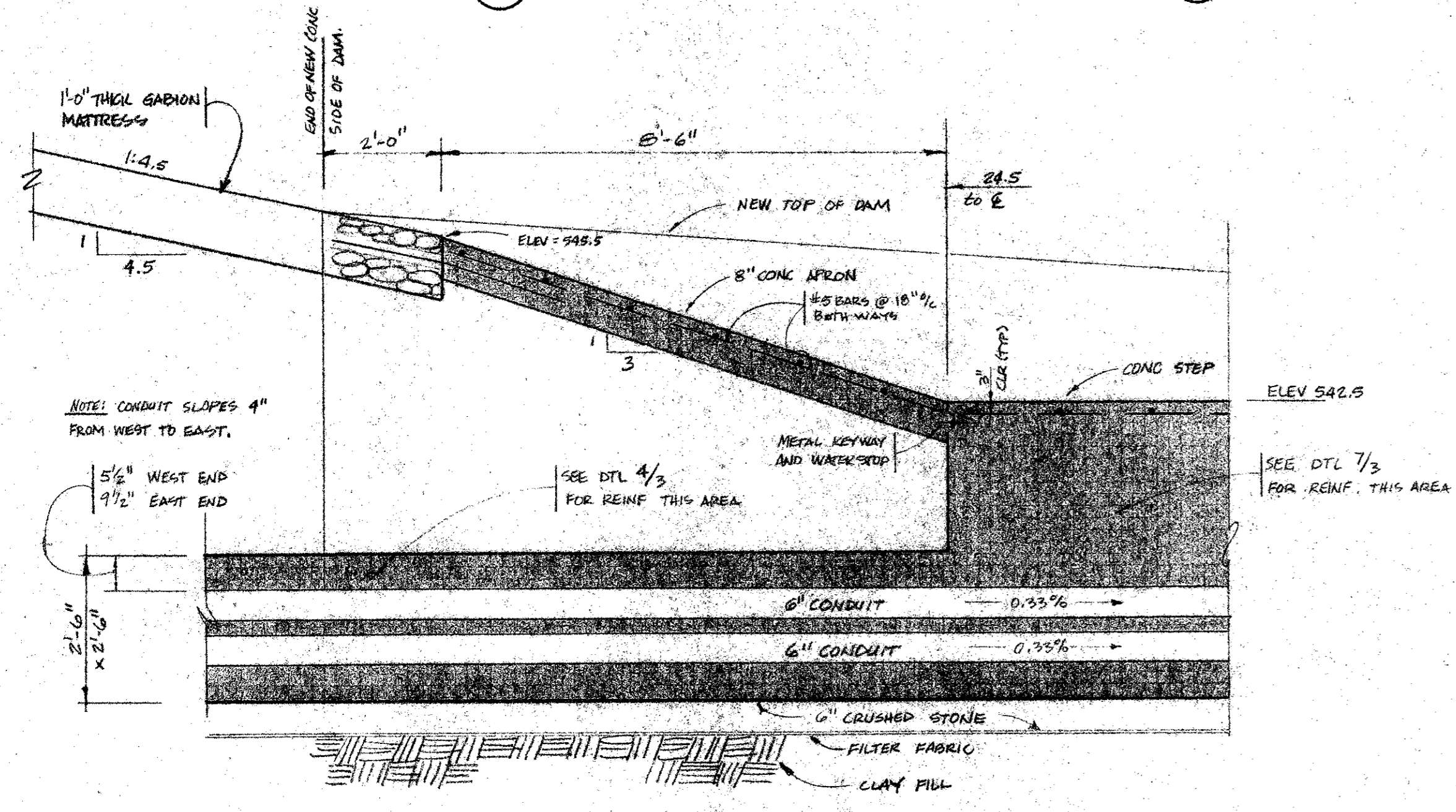
2



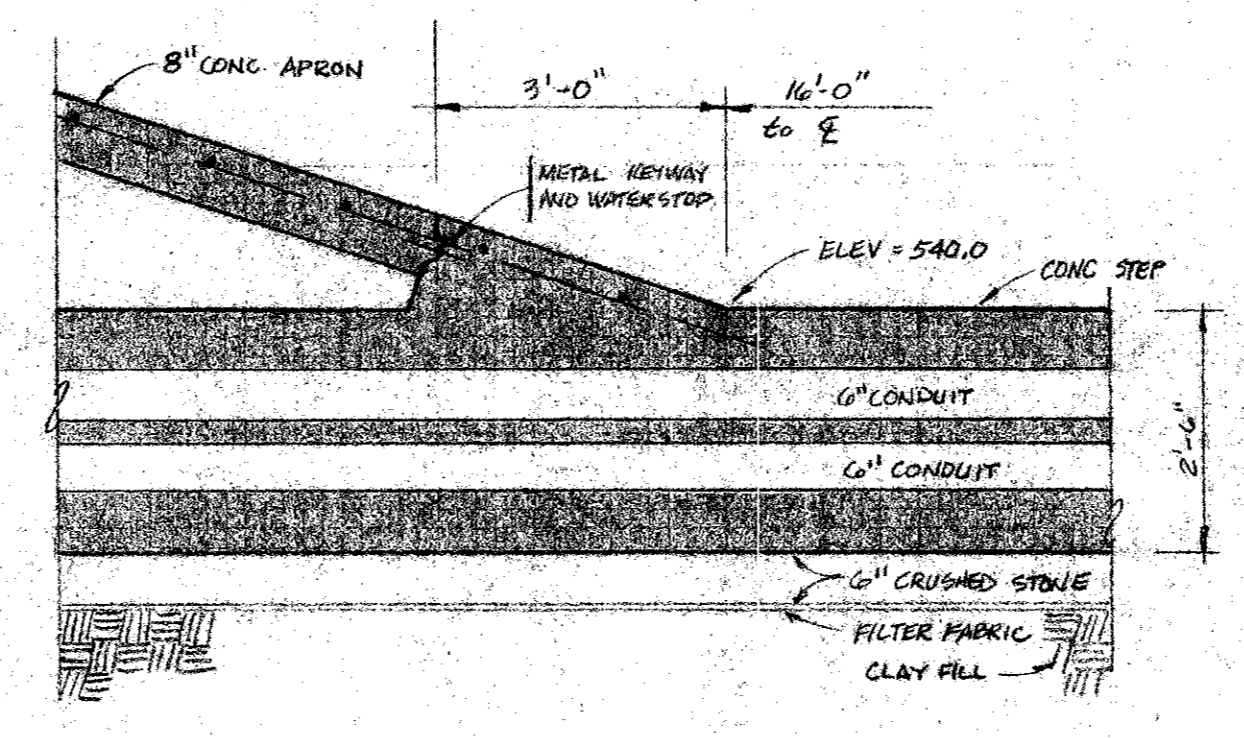
3



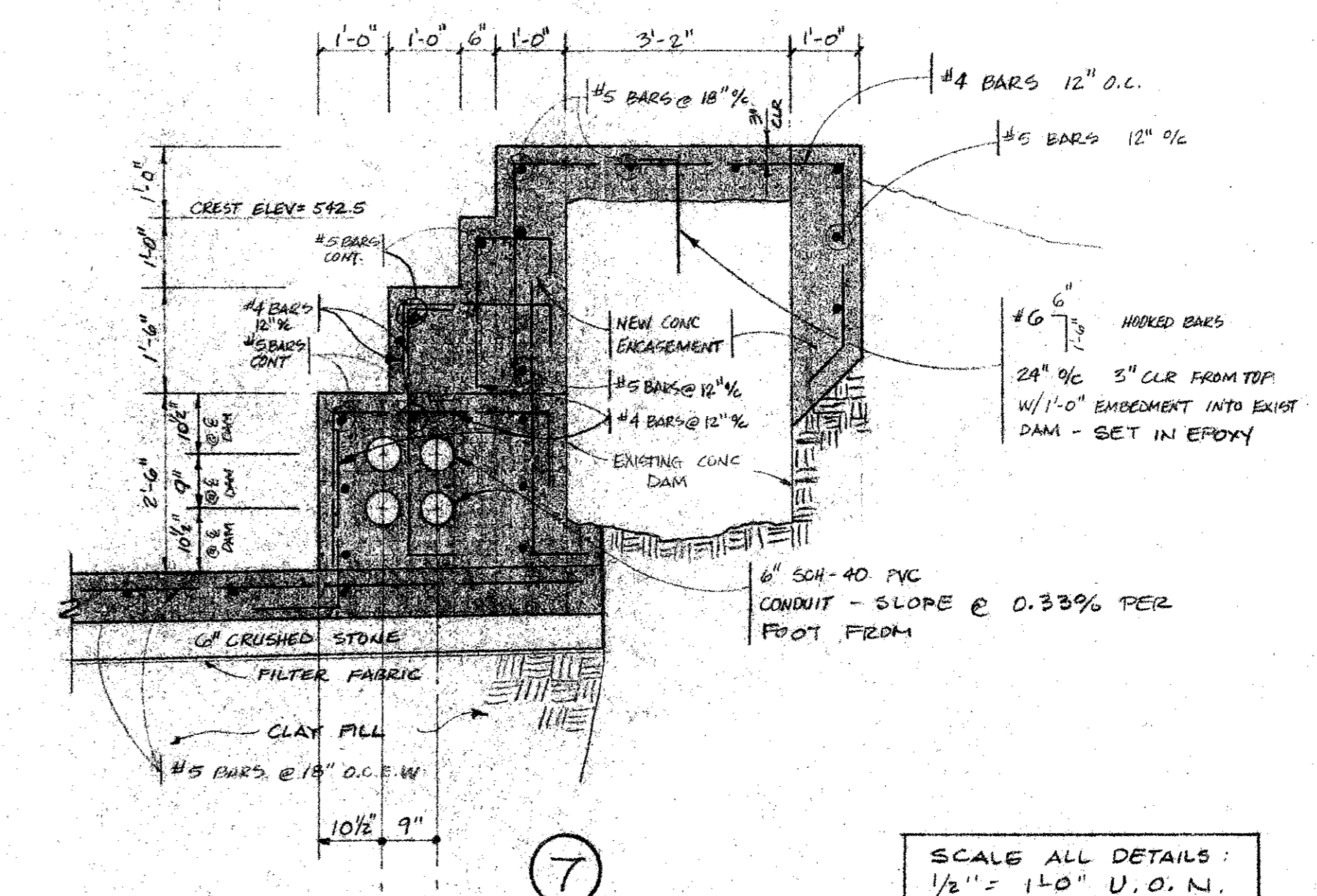
4



5



6



7

SCALE ALL DETAILS :  
1/2" = 1'-0" U.O.N.

DATE: \_\_\_\_\_  
DRAWN BY: \_\_\_\_\_  
CHECKED BY: \_\_\_\_\_  
JOB NO.: 90012  
REVISED: \_\_\_\_\_

# GREENHAVEN VILLAGE APARTMENTS ADDISON TEXAS EROSION CONTROL and DAM REPAIR

Doyle  
Engineering  
Group  
Suite 603  
4455 LBJ Freeway  
Dallas, Texas 75244  
214 991 1188

SHEET NUMBER  
OF  
SET NUMBER

3

PRELIMINARY  
NOT FOR CONSTRUCTION