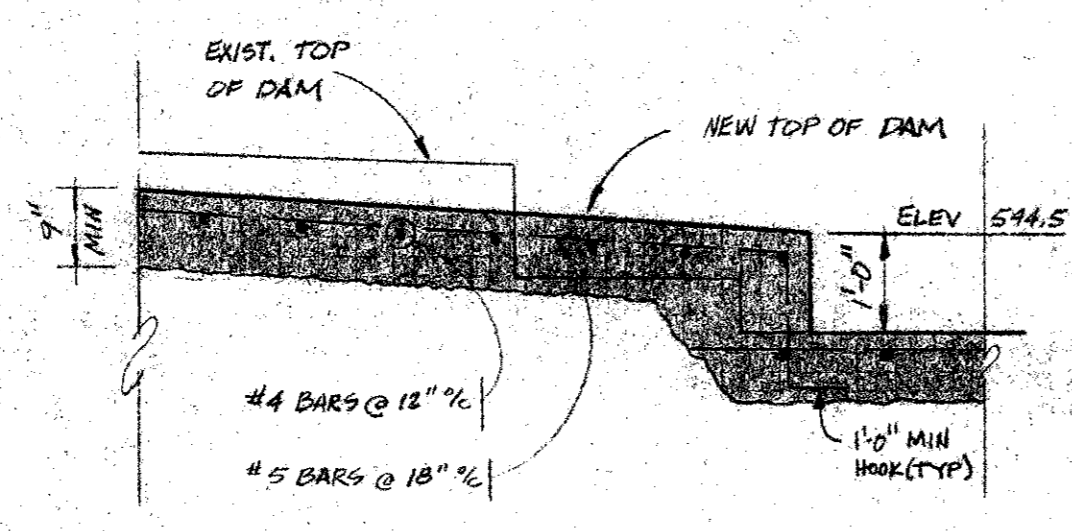
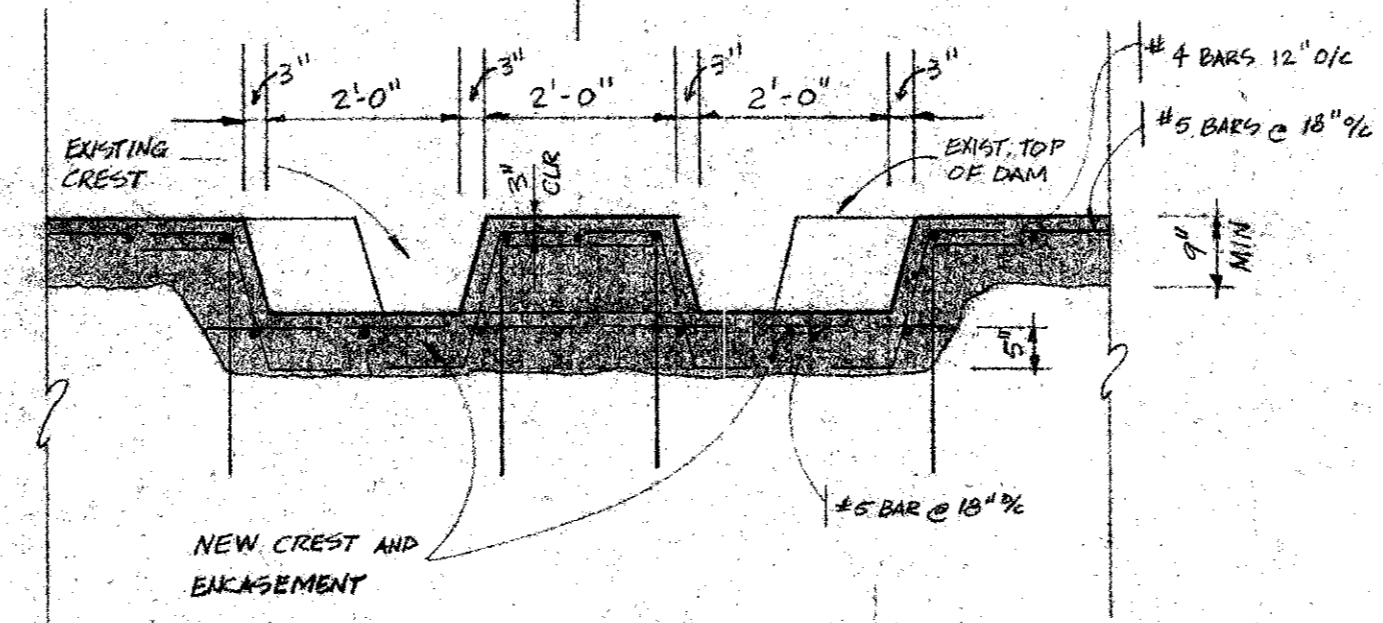


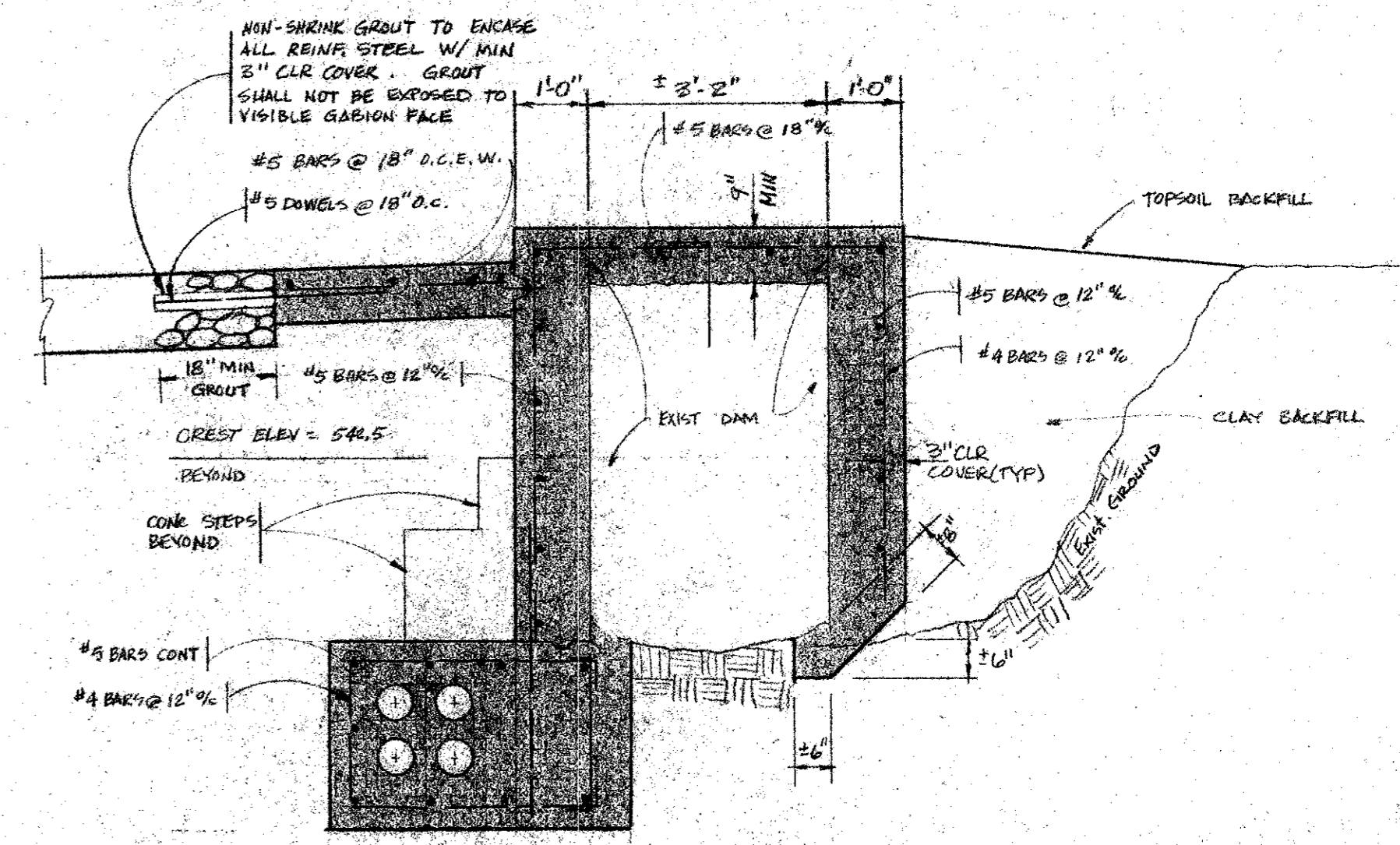
1



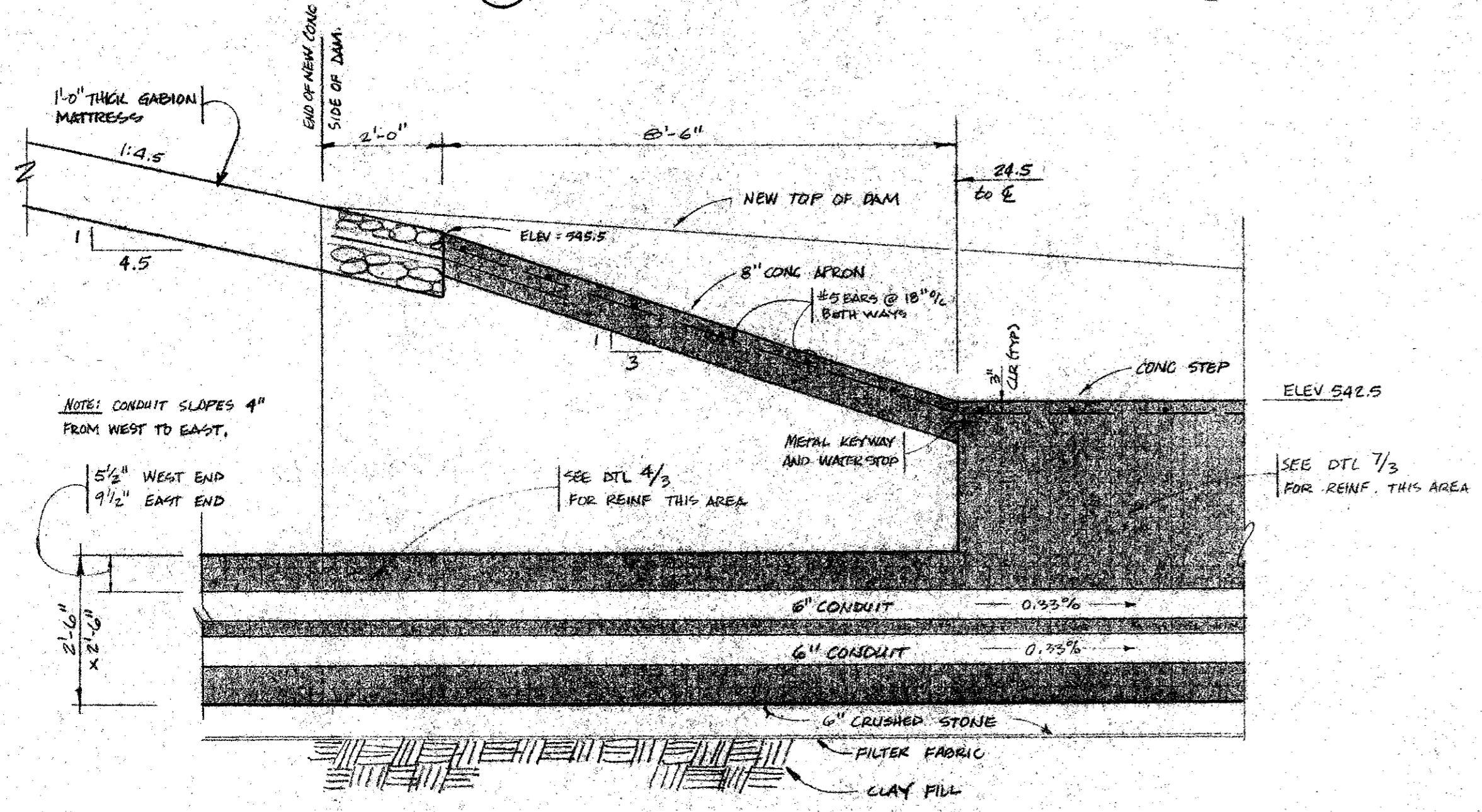
2



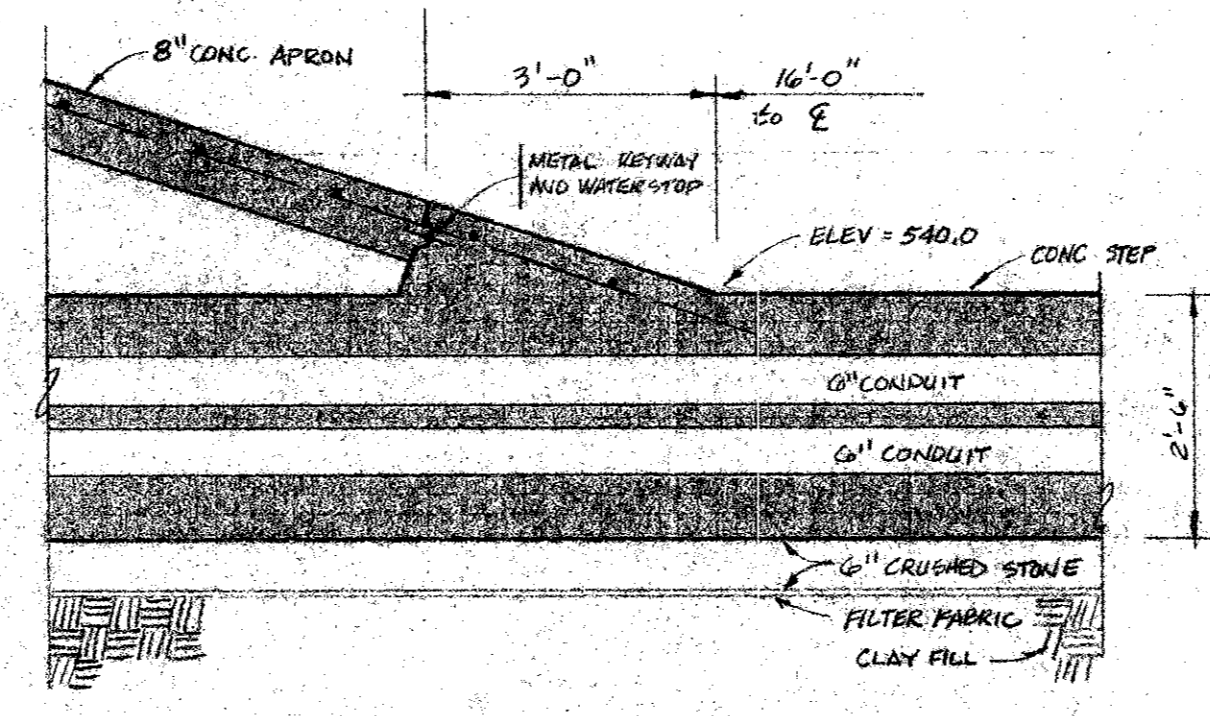
3



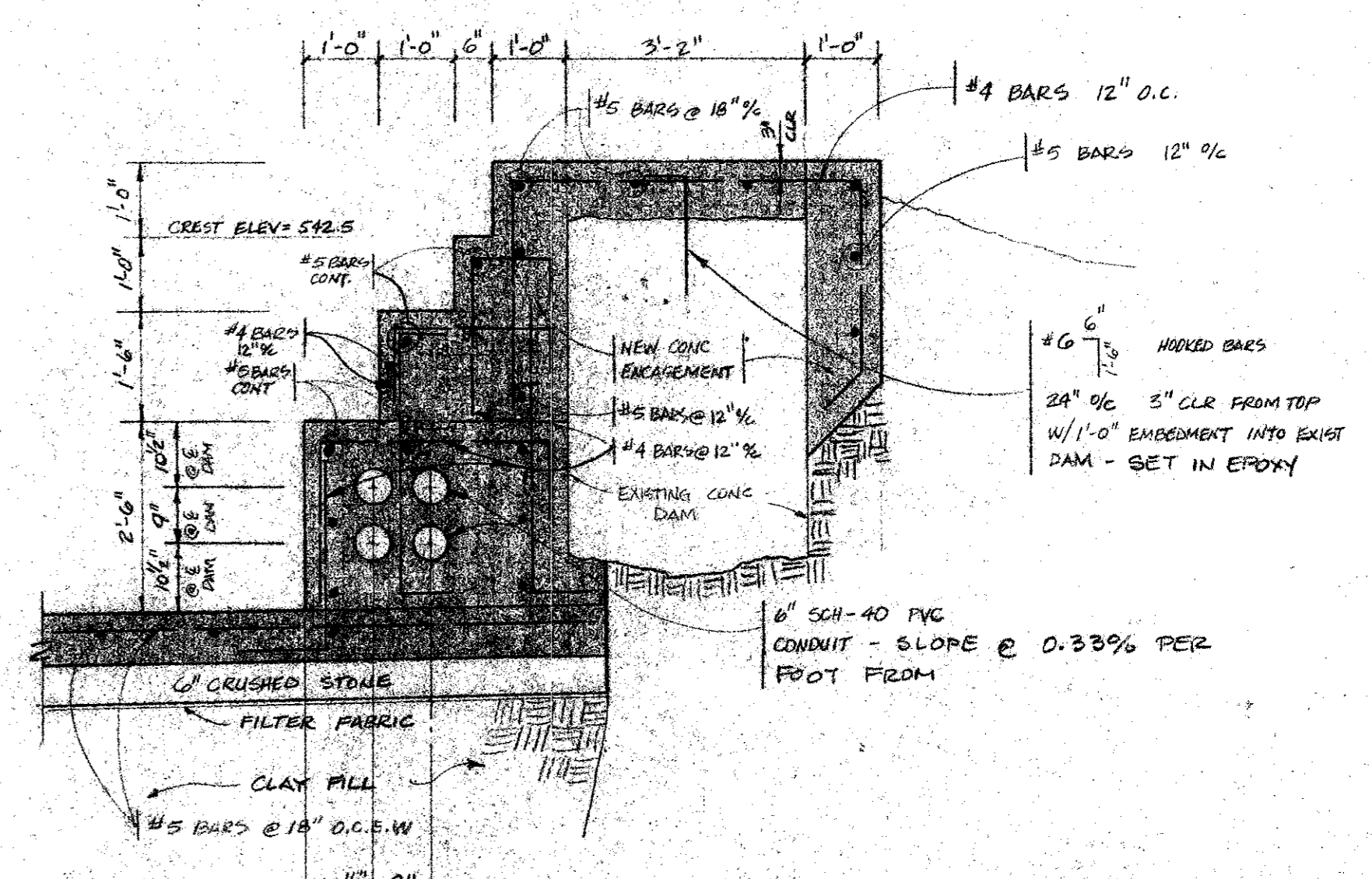
4



5



6



7

SCALE ALL DETAILS: 1/2" = 1'-0" U.O.N.

DATE: _____
 DRAWN BY: _____
 CHECKED BY: _____
 JOB NO.: 90012
 REVISED: _____

GREENHAVEN VILLAGE APARTMENTS
 ADDISON TEXAS
EROSION CONTROL and DAMREPAIR

Doyle
 Engineering
 Group
 Suite 603
 4455 LBJ Freeway
 Dallas, Texas 75244
 214 991 1188

PRELIMINARY
 NOT FOR CONSTRUCTION

SHEET NUMBER
 OF
 SET NUMBER **3** OF 11